

## 20.3" Modero® X Series Panoramic Wall Touch Panel

MXD-2000XL-PAN-P (FG5968-05) Portrait Wall Mount Touch Panel

MXD-2000XL-PAN-L (FG5968-11) Landscape Wall Mount Touch Panel



### Overview

The MXD-2000XL-PAN / 20.3" Modero X® Series Wall Mount Touch Panel is a premium user interface designed for dedicated room control or scheduling. This elegantly-styled touch panel provides fast and smooth animations and transitions, along with elegant styling that looks great in any setting.

The Modero X Series G5 Touch Panels provide several industry firsts including a beautiful, panoramic capacitive multi-touch screen that provides users access to multiple applications with minimal navigation. The distinctive appearance will complement even the most sophisticated meeting facilities and homes, with a variety of mounting options for added security and convenience.

### Common Applications

- The MXD-2000XL-PAN is ideal for boardrooms, conference rooms or auditoriums where a panoramic control surface is needed to provide access to multiple functions simultaneously while remaining elegantly unobtrusive.
- In Higher Education, the MXD-2000XL-PAN is ideal for lecture halls, auditoriums, performing arts theaters and boardrooms that require extensive control capabilities.
- In residences, it is perfect for main living areas such as kitchens, living rooms, home theaters or home offices where the panoramic control surface can be used to manage systems throughout the house.
- The MXD-2000XL-PAN can be used as a scheduling panel for high-end meeting rooms and auditoriums.
- All Modero X Series Wall Mount panels are ideal for reception areas or other gathering places for displaying master calendars and other information.

### Features

- **G5 Graphics Engine and Quad Core Processing** – The most powerful processing in the industry delivers smooth gesturing, swiping, dynamic reordering, enhanced animation with transitions all at higher speeds for an experience any user will enjoy
- **Simplified Enterprise Touch Panel Updates** – Deploy and update touch panel files from a network URL for simplified company-wide updates
- **Built-in Web Browser and Document Viewers** – Conveniently simplifies accessing and presenting real-time content and documents during meetings
- **Multitasking with the Panoramic Control Surface** – The panoramic aspect ratio of the Modero X G5 touch panels provides dedicated space to perform multiple activities at once
- **Perfect From Any Angle** – Includes In-Plane Switching (IPS), which delivers the widest viewing angles and the most accurate color reproduction on the market
- **Generous Mounting Options** – In addition to wall mount, you can mount the 10.1" Modero X Series Landscape Wall/Flush Mount Touch Panel directly to an equipment rack using the optional MXA-RMK-10 Modero X Series Rack Mount Kit (FG5969-62)

### Specifications

TOUCH SCREEN DISPLAY	
Display Type	TFT Active Matrix Color LCD with In-plane Switching Technology (IPS)
Display Size (WH)	Landscape: 20.4" x 9.5" (519 mm x 242 mm) Portrait: 9.5" x 20.4" (242 mm x 519 mm) 21.3" (541 mm) diagonal
Viewable Area (WH)	Landscape: 18.7" x 7.8" (475 mm x 198 mm) Portrait: 7.8" x 18.7" (198 mm x 475 mm) 20.3" (514 mm) diagonal
Resolution (WH)	Landscape: 1920x800 Portrait: 800x1920
Aspect Ratio (WH)	Landscape: 12:5 Portrait: 5:12
Brightness	250 cd/m <sup>2</sup>
Contrast Ratio	1000:1
Color Depth	16.7M colors
Illumination	LED
Touch Overlay	Projected capacitive, multi-touch support, 3 simultaneous max
Viewing Angle	Vertical ± 89°, Horizontal ± 89°
MEMORY	
SDRAM	512 MB
Flash	4 GB

Maximum Project Size	2.4 GB flash available to user
----------------------	--------------------------------

COMMUNICATIONS	
ETHERNET	10/100 port, RJ-45 connector. Supported IP and IP-Based Protocols: UCP, TCP, ICMP, ICSP, IGMP, DHCP, Telnet, FTP, DNS, RFB (for VNC), HTTP
USB	(2) USB host 2.0, Type A ports (1 with limited physical access requiring right angle connection): Firmware upgrade, Touch Panel File Transfer, JPEG Image Viewer, HID Peripherals, USB Audio Output for Headsets  (1) Micro-USB device port: video output from on-board camera (Landscape Touch Panel Only), USB audio from on-board microphone to host device
Bluetooth	Mouse/Keyboard: HID Profile v1.1, requires MXA-BT Bluetooth Adapter (FG5968-19)  Handset: Hands Free Profile v1.5, Headset Profile v1.2, requires MXA-BT Bluetooth Adapter (FG5968-19) and MXA-HST Bluetooth Handset (FG5968-17)

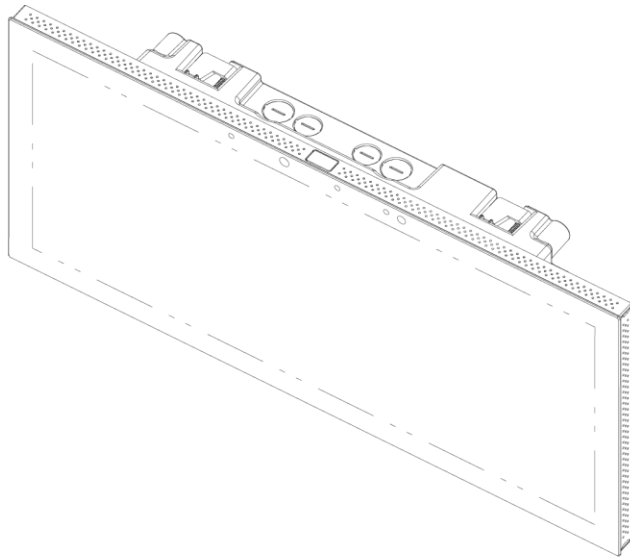
VIDEO	
Supported Video Codecs, Landscape Model (FG5968-11)	MPEG-2-TS: MPEG-2 Main Profile @ High Level up to 720p at 25 fps (decode only)  MPEG-2-TS: H.264 High Profile @ Layer 4, AAC-LC up to 720p at 25 fps (encode/decode)  MJPEG up to 720p at 25 fps (decode only)
Supported Video Codecs, Portrait Model (FG5968-05)	MPEG-2-TS: MPEG-2 Main Profile @ High Level up to 720p at 25 fps (decode only)  MPEG-2-TS: H.264 High Profile @ Layer 4, AAC-LC up to 720p at 25 fps (decode)  MJPEG up to 720p at 25 fps (decode only)
Supported Video Transport Streams	MPEG-TS for MPEG-2 and H.264; HTTP for MJPEG
Max Number of Active Video Streams	Portrait: One decode Landscape: One decode plus one encode
Video Conferencing, Landscape Model (FG5968-11)	Panel-to-panel and video chat
Video Conferencing, Portrait Model (FG5968-05)	Panel-to-panel and video chat (portrait wall mount receives video and returns audio)
Video Output, Landscape Model Only (FG5968-11)	Camera video output: H.264, up to 720p @ 25 fps via Micro-USB port only (controlled by host device)

AUDIO	
Microphone	-42dB +- 3dB sensitivity FET microphone
Speakers	4 ohm, 2 Watt, 300 Hz cutoff frequency
Supported Audio Codecs	MP2 Layer I and II, MP3 (8 kHz, 11.025 kHz, 12 kHz, 16 kHz, 22.05 kHz, 24 kHz, 32 kHz, 44.1 kHz, 48 kHz) AAC-LC (8 kHz, 96 kHz) G.711 with $\mu$ Law (VoIP encode/decode at 8 kHz)
Audio Output	USB Audio out Micro-USB port (head/hand set support)

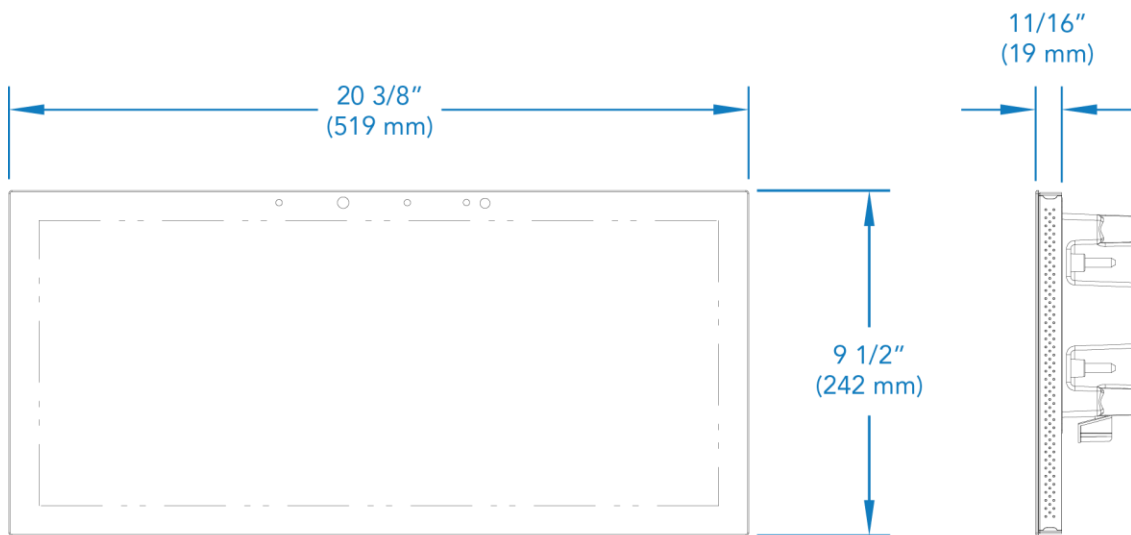
File Formats	WAV, MP3 (as part of touch panel file only - no USB storage)
Intercom	Full Duplex VoIP, SIP v2.0 (supported with AMX-CSG)
<b>GRAPHICS ENGINE</b>	
AMX G4	G4 enhanced feature set supporting multi-touch and gestures, scrolling, transitions - See TPD4 Operations Guide for more information
<b>EMBEDDED APPLICATIONS</b>	
Remote Management	VNC Server, G4 Web Control, AMX Resource Management Suite
Video Conferencing	Panel-to-panel with video chat (portrait wall mount receives video and returns audio)
Conferencing	Audio (Full Duplex Intercom)
<b>FRONT PANEL COMPONENTS</b>	
Light Sensor	Photosensitive light detector for automatic adjustment of the panel brightness
Proximity Detector	Max range = ~3', typ range = ~1', FOV = ~10 degrees
Camera Landscape Model Only (FG5968-11)	HD 720p camera for video conferencing/video chat support
LED Indicators	Camera active indicator (models with camera only)
Sleep Button	Sleep button to activate sleep mode and powering off. Also provides access to setup pages (can be disabled)
<b>CONNECTIONS</b>	
Ethernet	10/100 port, RJ-45 connector
USB	(2) USB host 2.0, Type A ports (1) Micro-USB device port
Power	2-pin, locking 3.5mm Phoenix connector
<b>ENVIRONMENTAL</b>	
Temperature (Operating)	32° F to 104° F (0° C to 40° C)
Temperature (Storage)	4° F to 140° F (-20° C to 60° C)
Humidity (Operating)	20% to 85% RH
Humidity (Storage)	5% to 85% RH
Power ("Heat") Dissipation	On: 109.2 BTU/hr, Standby: 10.6 BTU/hr
<b>GENERAL</b>	
Dimensions (HWD)	Landscape: 9 1/2" x 20 3/8" x 11/16" (242 mm x 519 mm x 19 mm), Portrait: 20 3/8" x 9 1/2" x 11/16" (519 mm x 242 mm x 19 mm)
Weight	9.1 lbs (4.13 Kg)
Power Consumption	Full-On: 32W (12 VDC, 2.7 A) Standby: 3.10 W (12 VDC, 0.3 A)
Start-Up Inrush Current	4.0 A for 80 µsec
External Power Supply Required	Requires one of these AMX power sources (not included): <ul style="list-style-type: none"> <li>• PSR5.4, 12 VDC, 5.4 A Power Supply with 3.5 mm Phoenix Connector with Retention Screws (FG423-48)</li> <li>• MXA-MPL Modero X/S Series Multi Preview Live (FG5968-10)</li> </ul>

	<ul style="list-style-type: none"> <li>• MXA-MP Modero X/S Series Multi Preview (FG5968-20)</li> </ul>
Regulatory Compliance	<p>FCC Part 15 Class B  CE EN 55022  CE EN 55024  CE EN 60950-1  IEC 60950-1  C-Tick CISPR 22 Class B  IC  UL 60950-1  RoHS  WEEE</p>
Included Accessories	<ul style="list-style-type: none"> <li>• Locking 2-pin Phoenix mate (41-0002-SA)</li> <li>• MXA-USB-C, USB Port Cover Kit, Modero X/S Series Touch Panel (FG5968-18)</li> <li>• MXA-CLK, Modero X/S Series Cleaning Kit (FG5968-16)</li> <li>• Wall Template 20" (68-5968-01)</li> </ul>
Optional Accessories	<ul style="list-style-type: none"> <li>• MXA-RMK-20 Modero X Series Rack Mount Kit (FG5969-60)</li> <li>• MXA-FMK-20 Flush Mount Kit for 20.3" Modero X Series Wall Mount Touch Panels (FG5968-68)</li> <li>• MXA-MP, Modero X/S Series Multi Preview (FG5968-20)</li> <li>• MXA-MPL, Modero X/S Series Multi Preview Live (FG5968-10)</li> <li>• PSR5.4, 12 VDC, 5.4 A Power Supply with 3.5 mm Phoenix Connector with Retention Screws (FG423-48)</li> <li>• CB-MXP19/20, Rough-In Box and Cover Plate, Modero X Series Touch Panel, Panoramic 19/20 (FG039-15)</li> <li>• MXA-BT, Bluetooth USB Adapter for Modero X/S Series (FG5968-19)</li> <li>• MXA-CLK, Modero X/S Series Cleaning Kit (FG5968-16)</li> <li>• MXA-USB-C, USB Port Covers for the Modero X/S Series Touch Panels (FG5968-18)</li> <li>• MXA-HST, Bluetooth Handset for Modero X/S Series Touch Panels (FG5968-17)</li> <li>• MXA-UENET-PAN, Video Acceleration Cable for Modero X 19.4" and 20.3" Touch Panels (FG5968-74)</li> <li>• MXA-G5-UPG-19/20D, Upgrade Kit and Service, Modero X G4 to Modero X G5 (FG5968-77)</li> </ul>

For a more detailed pictorial drawing please visit: <http://www.amx.com/assets/drawings/95-5968-05.pdf>



MXD-2000XL-PAN  
(Isometric View)



MXD-2000XL-PAN  
(Front View)

MXD-2000XL-PAN  
(Right View)

**About AMX by HARMAN**

Founded in 1982 and acquired by HARMAN in 2014, AMX® is dedicated to providing AV solutions for an IT World. AMX solves the complexity of managing technology with reliable, consistent and scalable systems comprising control, video switching and distribution, digital signage and technology management. AMX systems are deployed worldwide in conference rooms, classrooms, network operation/command centers, homes, hotels, entertainment venues and broadcast facilities, among others. AMX is part of the HARMAN Professional Group, the only total audio, video, lighting, and control vendor in the professional AV market. HARMAN designs, manufactures and markets premier audio, video, infotainment and integrated control solutions for the automotive, consumer and professional markets. Revised 11.18.16. ©2016 Harman. All rights reserved. Specifications subject to change.

[www.amx.com](http://www.amx.com) | +1.469.624.7400 | 800.222.0193