

7" Modero X[®] Series Tabletop Touch Panel

MXT-700 (FG5968-04)



Overview

The MXT-700 / 7" Modero X[®] Series Panoramic Tabletop Touch Panel is a premium user interface designed specifically for dedicated room control. This elegantly-styled touch panel provides fast and smooth animations and transitions, along with elegant styling that looks great in any setting. This new generation of touch panels is built for usability, offering edge-to-edge capacitive touch glass with multi-touch capabilities. It features advanced technology empowering users to operate AV equipment seamlessly, while providing the ultimate in audio and video quality.

The Modero X Series Touch Panels provide several industry firsts including a beautiful, capacitive multi-touch screen that provides users access to multiple applications with minimal navigation. The distinctive, low-profile design is engineered to sit perfectly on a table without obstructing views, and comes with a variety of mounting options for added security and convenience.

Common Applications

- The MXT-700 is ideal for boardrooms, conference rooms or auditoriums where a panoramic control surface is needed to provide access to multiple functions simultaneously while remaining elegantly unobtrusive.
- In Higher Education, the MXT-700 is ideal for lecture halls, auditoriums, performing arts theaters and boardrooms that require extensive control capabilities.
- In residences, it is perfect for main living areas such as kitchens, living rooms, home theaters or home offices where the panoramic control surface can be used to manage systems throughout the house.

Features

- **Graphic Leaps & Bounds** – The Modero X Series includes intuitive UI functionality including: gesturing, swiping, dynamic reordering and enhanced animation capabilities
- **Perfect From Any Angle** – Includes In-Plane Switching (IPS), which delivers the widest viewing angles and the most accurate color reproduction on the market

- **Enhanced Usability** – External phone connections via Bluetooth or USB and HD video streaming

Specifications

TOUCH SCREEN DISPLAY	
Display Type	TFT Active Matrix Color LCD with Fringe Field Switching (FFS) - Wide Viewing Angle Technology
Display Size (WH)	Landscape: 7.3" x 4.8" (186 mm x 122 mm), 8.8" (222 mm) diagonal
Viewable Area (WH)	Landscape: 6.05" x 3.54" (154 mm x 90 mm), 7.0" (178 mm) diagonal
Resolution (WH)	Landscape: 1024x600
Aspect Ratio (WH)	Landscape: 16:9
Brightness	400 cd/m2
Contrast Ratio	800:1
Color Depth	16.7M colors
Illumination	LED
Touch Overlay	Projected capacitive, multi-touch support, 3 simultaneous max
Viewing Angle	Vertical $\pm 89^\circ$, Horizontal $\pm 89^\circ$

MEMORY	
SDRAM	512 MB
Flash	4 GB
Maximum Project Size	2.4 GB flash available to user

COMMUNICATIONS	
ETHERNET	10/100 port, RJ-45 connector. Supported IP and IP-Based Protocols: UCP, TCP, ICMP, ICSP, IGMP, DHCP, Telnet, FTP, DNS, RFB (for VNC), HTTP
USB	(2) USB host 2.0, Type A ports (1 with limited physical access requiring right angle connection): Firmware upgrade, touch panel file transfer, JPEG image viewer, HID peripherals, USB audio output for headsets
Bluetooth	<p>Mouse/Keyboard: HID Profile v1.1, requires MXA-BT Bluetooth Adapter (FG5968-19)</p> <p>Handset: Hands Free Profile v1.5, Headset Profile v1.2, requires MXA-BT Bluetooth Adapter (FG5968-19) and MXA-HST Bluetooth Handset (FG5968-17)</p>

VIDEO	
Supported Video Codecs	<p>MPEG-2-TS: MPEG-2 Main Profile @ High Level up to 720p at 25 fps (decode only)</p> <p>MPEG-2-TS: H.264 High Profile @ Layer 4, AAC-LC up to 720p at 25 fps (decode)</p> <p>MJPEG up to 720p at 25 fps (decode only)</p>
Supported Video Transport Streams	MPEG-TS for MPEG-2 and H.264; HTTP for MJPEG
Max Number of Active Video Streams	One decode

AUDIO	
Microphone	-42 dB +/- 3 dB sensitivity FET microphone

Speakers	4 ohm, 2 Watt, 300 Hz cutoff frequency
Supported Audio Codecs	MP2 Layer I and II, MP3 (8 kHz, 11.025 kHz, 12 kHz, 16 kHz, 22.05 kHz, 24 kHz, 32 kHz, 44.1 kHz, 48 kHz) AAC-LC (8 kHz, 96 kHz) G.711 with μ Law (VoIP encode/decode at 8 kHz)
Audio Output	USB Audio out USB port (head/hand set support)
File Formats	WAV, MP3 (as part of touch panel file only - no USB storage)
Intercom	Full Duplex VoIP, SIP v2.0 (supported with AMX-CSG)

GRAPHICS ENGINE	
AMX G4	G4 enhanced feature set supporting multi-touch and gestures, scrolling, transitions - See TPD4 Operations Guide for more information

EMBEDDED APPLICATIONS	
Remote Management	VNC Server, G4 Web Control, AMX Resource Management Suite
Video Conferencing	Panel-to-panel and video chat (the MXT-700 receives video and returns audio)
Audio Conferencing	Audio (full duplex intercom)

FRONT PANEL COMPONENTS	
Light Sensor	Photosensitive light detector for automatic adjustment of the panel brightness
Proximity Detector	Max range = ~3', typ range = ~1', FOV = ~10 degrees
Sleep Button	Sleep button to activate sleep mode and powering off. Also provides access to setup pages (can be disabled)

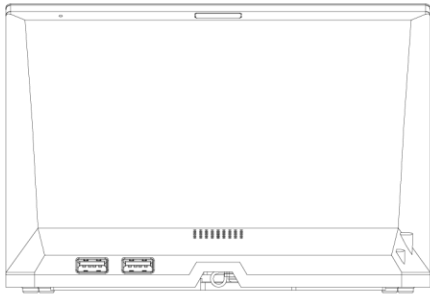
CONNECTIONS	
Ethernet	10/100 port, RJ-45 connector through cable extension
USB	(2) USB host 2.0, Type A ports
Power	PoE (Power over Ethernet), 802.3af, class 3

ENVIRONMENTAL	
Temperature (Operating)	32° F to 104° F (0° C to 40° C)
Temperature (Storage)	4° F to 140° F (-20° C to 60° C)
Humidity (Operating)	20% to 85% RH
Humidity (Storage)	5% to 85% RH
Power ("Heat") Dissipation	On: 18.5 BTU/hr Standby: 10.6 BTU/hr

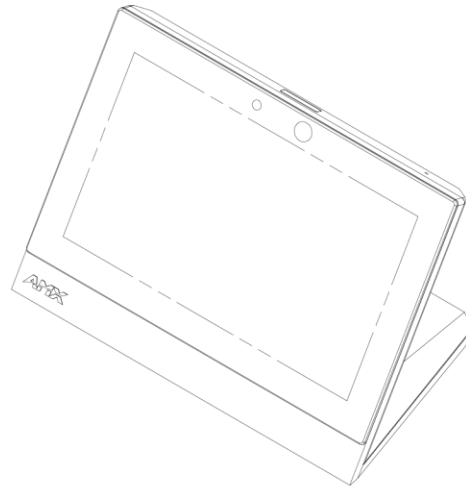
GENERAL	
Dimensions (HWD)	5" x 7 5/16" x 4 1/8" (126 mm x 187 mm x 105 mm)
Weight	1.8 lbs (0.82 Kg)
Power Consumption	Full-On: 8 W (max) Standby: 3.2 W Shutdown: 1 W
Start-Up Inrush Current	Not applicable due to PoE standard

External Power Supply Required	<p>AMX recommends using one of these AMX approved PoE power supplies (not included):</p> <ul style="list-style-type: none"> • PS-POE-AF-TC, PoE Injector, 802.3AF Compliant (FG423-83) • NXA-ENET8-2POE, Gigabit PoE Ethernet Switch (FG2178-63)
Regulatory Compliance	<p>FCC Part 15 Class B CE EN 55022 CE EN 55024 CE EN 60950-1 IEC 60950-1 C-Tick CISPR 22 Class B IC UL 60950-1 RoHS WEEE</p>
Included Accessories	<ul style="list-style-type: none"> • MXA-USB-C, USB Port Cover Kit, Modero X/S Series Touch Panel (FG5968-18) • HPG-10, 3/4" Mini-Grommet (FG570-01) • MXA-CLK, Modero X/S Series Cleaning Kit (FG5968-16)
Optional Accessories	<ul style="list-style-type: none"> • MXA-STMK-07, Secure Table Mount Kit, 7" Modero X Tabletop (FG5968-67) • MXA-MP, Modero X/S Series Multi Preview (FG5968-20) • MXA-MPL, Modero X/S Series Multi Preview Live (FG5968-10) • PS-POE-AF-TC, PoE Injector, 802.3AF Compliant (FG423-83) • HPG-10-10K, 3/4" Mini-Grommet, 10-Pack (FG570-01-10K) • MXA-BT, Bluetooth USB Adapter for Modero X/S Series Touch Panels (FG5968-19) • MXA-CLK, Modero X/S Series Screen Cleaning Kit (FG5968-16) • NXA-ENET8-2POE, Gigabit Ethernet Switch (FG2178-63) • MXA-USB-C, USB Port Covers for the Modero X/S Series Touch Panels (FG5968-18) • MXA-HST, Bluetooth Handset for Modero X/S Series Touch Panels (FG5968-17) • MXA-UENET, Video Acceleration Cable for Modero X 10.1" and 7" Touch Panels (FG5968-75) • MXA-G5-UPG, Upgrade Kit and Service, Modero X G4 to Modero X G5 (FG5968-81)

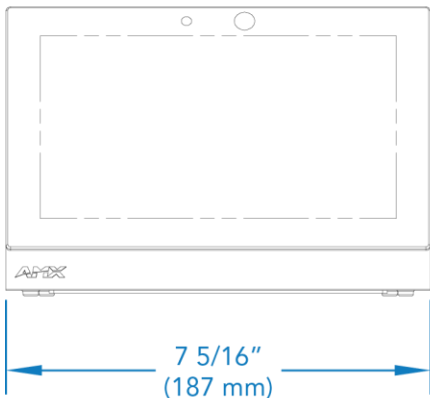
For a more detailed pictorial drawing please visit: <http://www.amx.com/products/MXT-700.asp>



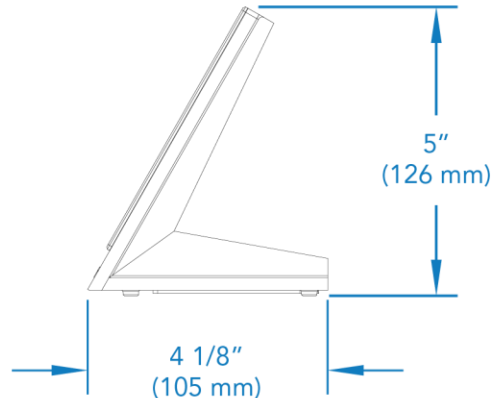
MXT-700
(Back View)



MXT-700
(Isometric View)



MXT-700
(Front View)



MXT-700
(Right View)

About AMX by HARMAN

Founded in 1982 and acquired by HARMAN in 2014, AMX® is dedicated to providing AV solutions for an IT World. AMX solves the complexity of managing technology with reliable, consistent and scalable systems comprising control, video switching and distribution, digital signage and technology management. AMX systems are deployed worldwide in conference rooms, classrooms, network operation/command centers, homes, hotels, entertainment venues and broadcast facilities, among others. AMX is part of the HARMAN Professional Group, the only total audio, video, lighting, and control vendor in the professional AV market. HARMAN designs, manufactures and markets premier audio, video, infotainment and integrated control solutions for the automotive, consumer and professional markets. Revised 06.16.16. ©2016 Harman. All rights reserved. Specifications subject to change.

www.amx.com | +1.469.624.7400 | 800.222.0193