

20.3" Modero X[®] Series G5 Panoramic Tabletop Touch Panel

MXT-2001-PAN (FG5968-35)



Overview

The MXT-2001-PAN / 20.3" Modero X[®] Series G5 Tabletop Touch Panel is a premium user interface that includes the G5 graphics engine and delivers superior performance. Designed specifically for dedicated room control, this elegantly-styled touch panel provides fast and smooth animations and transitions, along with a quad-core processor that provides more than enough processing power to run the most demanding applications today and in the future. The MXT-2001-PAN also includes a built-in web browser and document viewers, enabling users to access real-time information during meetings or lectures.

The Modero X Series G5 Touch Panels provide several industry firsts including a beautiful, panoramic capacitive multi-touch screen that provides users access to multiple applications with minimal navigation. The distinctive, low-profile design is engineered to sit perfectly on a table without obstructing views, and comes with a variety of mounting options for added security and convenience.

Common Applications

- The MXT-2001-PAN is ideal for boardrooms, conference rooms or auditoriums where a panoramic control surface is needed to provide access to multiple functions simultaneously while remaining elegantly unobtrusive.
- In Higher Education, the MXT-2001-PAN is ideal for lecture halls, auditoriums, performing arts theaters and boardrooms that require extensive control capabilities.
- In residences, it is perfect for main living areas such as kitchens, living rooms, home theaters or home offices where the control surface can be used to manage systems throughout the home.

Features

- **G5 Graphics Engine and Quad Core Processing** – The most powerful processing in the industry delivers smooth gesturing, swiping, dynamic reordering, and enhanced animation with transitions all at higher speeds for an experience any user will enjoy.
- **Simplified Enterprise Touch Panel and Firmware Updates** – Deploy and update touch panel files and firmware files from a network URL for simplified company-wide updates.
- **Built-in Web Browser, Document Viewers and Enzo Sharing** – Conveniently simplifies accessing and presenting real-time content and documents during meetings. Simply preview files accessed via the native web browser, USB, or cloud storage apps before sending content directly to Enzo. An upcoming firmware release will allow apps to be updated or disabled using the onboard G5 App Update Manager.
- **Multitasking with the Panoramic Control Surface** – The panoramic aspect ratio of the Modero X G5 touch panels provides dedicated space to perform multiple activities at once.
- **Adjustable Security Modes** – With the ability to select from high security or custom modes, administrators can customize the panel’s security levels for access, networking and communication.
- **Perfect From Any Angle** – Includes In-Plane Switching (IPS), which delivers the widest viewing angles and the most accurate color reproduction on the market.
- **View and Select Dynamic Data with Listview Buttons** – Display a listing of entries generated by a dynamic data source (e.g. phonebook contacts, call logs, RSS feed or other real time data sources) enabling the user to scroll or search to make a selection. Demos are available in the UI Resource Center.

Specifications

| TOUCH SCREEN DISPLAY | |
|----------------------|--|
| Display Type | TFT Active Matrix Color LCD with In-plane Switching Technology (IPS) |
| Display Size (WH) | 20.4" x 9.5" (519 mm x 242 mm), 21.3" (541 mm) diagonal |
| Viewable Area (WH) | 18.7" x 7.8" (475 mm x 198 mm), 20.3" (514 mm) diagonal |
| Resolution (WH) | 1920x800 |
| Aspect Ratio (WH) | 12:5 |
| Brightness | 250 cd/m2 |
| Contrast Ratio | 1000:1 |
| Color Depth | 16.7M colors |
| Illumination | LED |
| Touch Overlay | Projected capacitive, multi-touch support, 3 simultaneous max |
| Viewing Angle | Vertical ± 89°, Horizontal ± 89° |

| MEMORY | |
|----------------------|---|
| SDRAM | 2 GB |
| Flash | 16 GB |
| Maximum Project Size | 12 GB flash, available for apps and touch panel files |

| COMMUNICATIONS | |
|-----------------------|--|
| ETHERNET | 10/100 Auto MDI-X port, RJ-45 connector. Supported IP and IP-based protocols: UCP, TCP, ICMP, ICSP, IGMP, DHCP, SSH, FTP, DNS, RFB (for VNC), HTTP |
| USB | (3) USB host 2.0, Type A ports: Firmware upgrade, touch panel file transfer, document and image viewing, HID peripherals |
| Bluetooth | Mouse/Keyboard: HID Profile v1.1, requires MXA-BT Bluetooth Adapter (FG5968-19) |

| VIDEO | |
|------------------------------------|--|
| Supported Video Codecs | MPEG-2-TS: MPEG-2 Main Profile @High Level up to 720p at 25 fps (decode only) MPEG-2-TS: H.264 High Profile @Layer 4, AAC-LC up to 720p at 25 fps (encode/decode) MJPEG up to 720p at 25 fps (decode only) |
| Supported Video Transport Streams | MPEG-TS for MPEG-2 and H.264; HTTP for MJPEG |
| Max Number of Active Video Streams | Two decode plus one encode |
| Video Conferencing | Skype |

| AUDIO | |
|------------------------|--|
| Microphone | -42 dB +/- 3 dB sensitivity FET microphone |
| Speakers | 4 ohm, 2 Watt, 300Hz cutoff frequency |
| Supported Audio Codecs | MP2 Layer I and II, MP3 (8 kHz, 11.025 kHz, 12 kHz, 16 kHz, 22.05 kHz, 24 kHz, 32 kHz, 44.1 kHz, 48 kHz) AAC-LC (8 kHz, 96 kHz) G.711 with μ Law (VoIP encode/decode at 8 kHz) |
| File Formats | WAV, MP3 (as part of touch panel file only - no USB storage) |
| Intercom | Full Duplex VoIP, SIP v2.0 |

| GRAPHICS ENGINE | |
|------------------------|--|
| AMX G5 | G5 enhanced feature set supporting multi-touch and gestures, scrolling, transitions, applications - See TPD5 Operations Guide for more information |

| EMBEDDED APPLICATIONS | |
|------------------------------|---|
| Viewer Applications | PDF, JPEG, BMP, PNG, TIFF, GIF, PowerPoint, .doc, .docx, .xls, .xlsx, .ppt, .pptx |
| Remote Management | VNC Server |
| Video Conferencing | Skype |
| Audio Conferencing | Audio (Full Duplex Intercom) |

| FRONT PANEL COMPONENTS | |
|-------------------------------|--|
| Light Sensor | Photosensitive light detector for automatic adjustment of the panel brightness |
| Proximity Detector | Max range = ~3', typ range = ~1', FOV = ~10 degrees |
| Camera | HD 720p camera for video conferencing/video chat support |

| | |
|----------------|---|
| LED Indicators | Camera active indicator |
| Sleep Button | Sleep button to activate sleep mode and powering off. Also provides access to setup pages (can be disabled) |

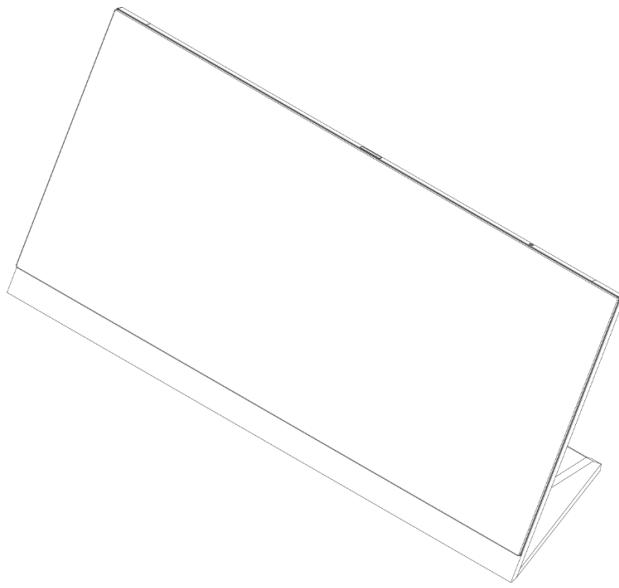
| CONNECTIONS | |
|-------------|--|
| Ethernet | 10/100 Auto MDI-X port, RJ-45 connector |
| USB | (3) USB host 2.0, Type A ports (1) Micro-USB device port (currently not in use) |
| Power | 2-pin, locking 3.5mm Phoenix connector |

| ENVIRONMENTAL | |
|----------------------------|--|
| Temperature (Operating) | 32° F to 104° F (0° C to 40° C) |
| Temperature (Storage) | 4° F to 140° F (-20° C to 60° C) |
| Humidity (Operating) | 20% to 85% RH |
| Humidity (Storage) | 5% to 85% RH |
| Power ("Heat") Dissipation | On: 119.4 BTU/hr Standby: 23.9 BTU/hr |

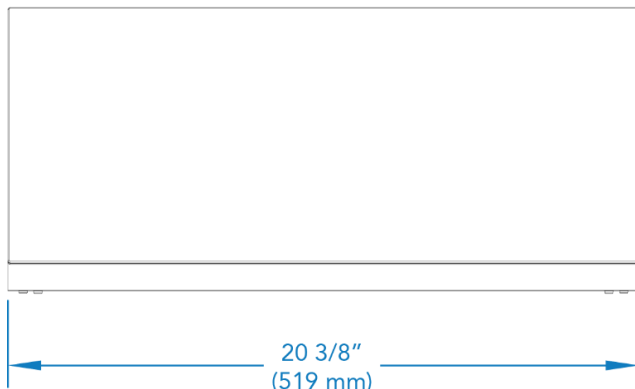
| GENERAL | |
|--------------------------------|---|
| Networking | Support for static/dynamic IPv4 and static IPv6 |
| Dimensions (HWD) | 9 3/16" x 20 3/8" x 5 7/8" (235 mm x 519 mm x 150 mm) |
| Weight | 12.3 lbs (5.58 Kg) |
| Power Consumption | Full-On: 35 W (13.5 VDC, 2.9 A) Standby: 7 W (13.5 VDC, 0.6 A) |
| External Power Supply Required | Requires one of these AMX power sources (not included): <ul style="list-style-type: none"> • PSR5.4, 12 VDC, 5.4 A Power Supply with 3.5 mm Phoenix Connector with Retention Screws (FG423-48) • MXA-MPL Modero X/S Series Multi Preview Live (FG5968-10) • MXA-MP Modero X/S Series Multi Preview (FG5968-20) |
| Regulatory Compliance | FCC Part 15 Class B C-Tick CISPR 22 Class B CE EN 55022 Class B and EN 55024 CB Scheme IEC 60950-1 IC IEC/EN-60950 UL 60950-1 RoHS/WEEE compliant |
| Included Accessories | <ul style="list-style-type: none"> • Locking 2-pin Phoenix mate (41-0002-SA) • MXA-USB-C, USB Port Cover Kit, Modero X/S Series Touch Panel (FG5968-18) • HPG-10, 3/4" Mini-Grommet (FG570-01) • MXA-CLK, Modero X/S Series Cleaning Kit (FG5968-16) |
| Optional Accessories | <ul style="list-style-type: none"> • MXA-STMK-20, Secure Table Mount Kit, 20.3" Modero X Tabletop (FG5968-64) • MXA-MP, Modero X/S Series Multi Preview (FG5968-20) • MXA-MPL, Modero X/S Series Multi Preview Live (FG5968-10) • PSR5.4, 12 VDC, 5.4 A Power Supply with 3.5 mm Phoenix Connector with Retention Screws (FG423-48) |

| | |
|--|---|
| | <ul style="list-style-type: none">• HPG-10-10K, 3/4" Mini-Grommet, 10-Pack (FG570-01-10K)• MXA-BT, Bluetooth USB Adapter for Modero X/S Series (FG5968-19)• MXA-CLK, Modero X/S Series Cleaning Kit (FG5968-16)• MXA-USB-C, USB Port Covers for the Modero X/S Series Touch Panels (FG5968-18) |
|--|---|

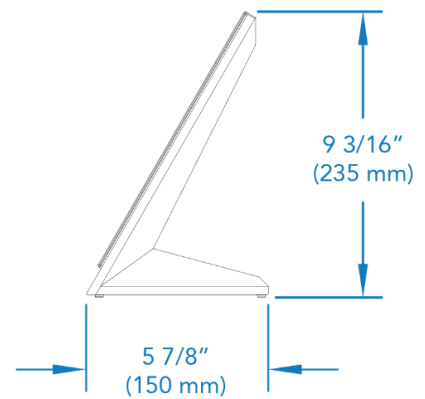
For a more detailed pictorial drawing please visit: <http://www.amx.com/products/MXT-2001-PAN.asp>



MXT-2001-PAN
(Isometric View)



MXT-2001-PAN
(Front View)



MXT-2001-PAN
(Right View)

About AMX by HARMAN

Founded in 1982 and acquired by HARMAN in 2014, AMX® is dedicated to providing AV solutions for an IT World. AMX solves the complexity of managing technology with reliable, consistent and scalable systems comprising control, video switching and distribution, digital signage and technology management. AMX systems are deployed worldwide in conference rooms, classrooms, network operation/command centers, homes, hotels, entertainment venues and broadcast facilities, among others. AMX is part of the HARMAN Professional Group, the only total audio, video, lighting, and control vendor in the professional AV market. HARMAN designs, manufactures and markets premier audio, video, infotainment and integrated control solutions for the automotive, consumer and professional markets. Revised 11.18.16. ©2016 Harman. All rights reserved. Specifications subject to change.

www.amx.com | +1.469.624.7400 | 800.222.0193