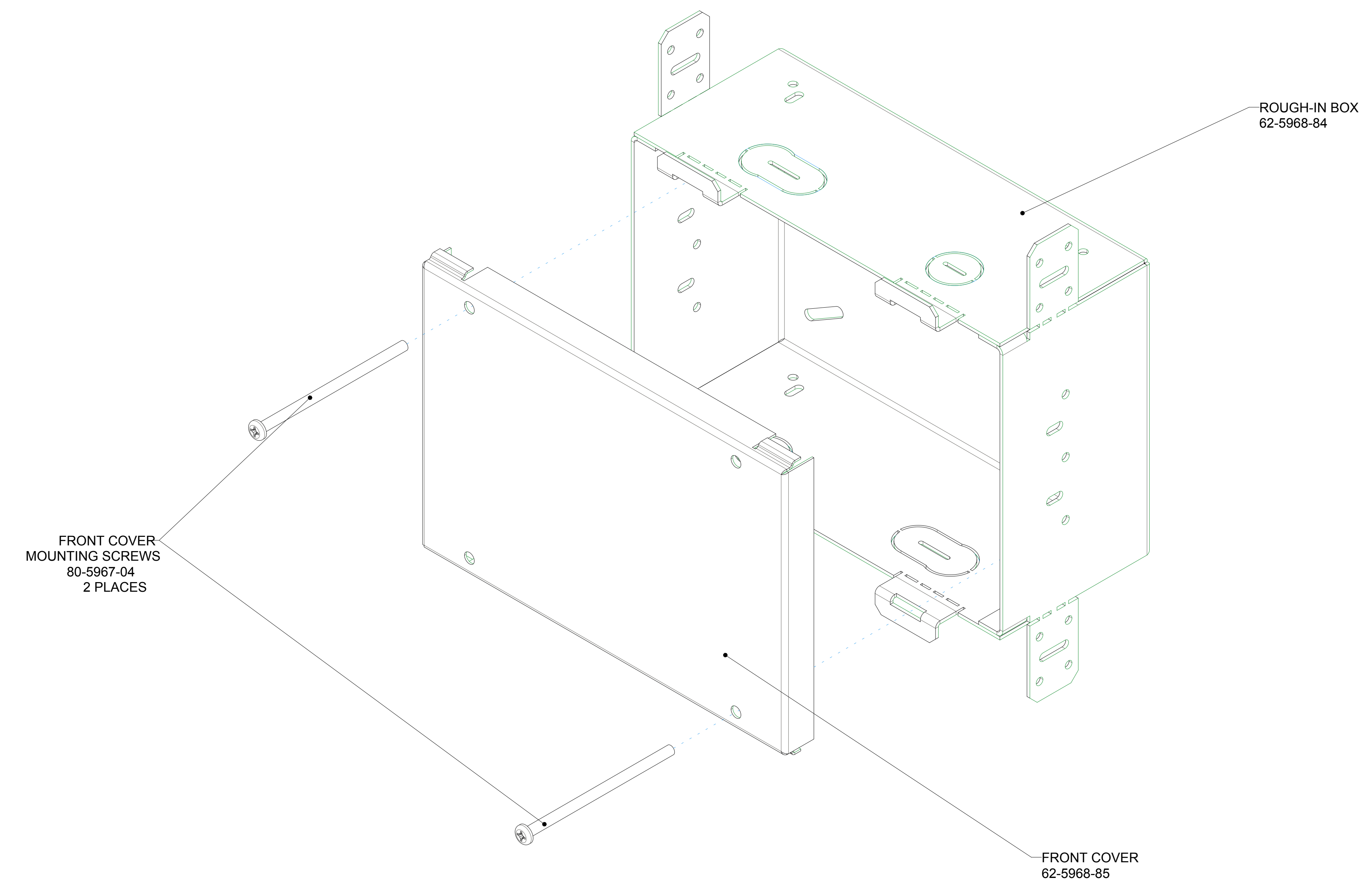


REVISIONS				
REV	ECN NUMBER	DESCRIPTION	DATE	APPROVED
A	XXXXX	INITIAL RELEASE	09-04-14	J. PORTER
B	XXXXX	CHANGED DEPTH OF NEW CONSTRUCTION INSTALLATION	09-09-14	J. PORTER
C	22792	CHANGED CUTOUT DIMENSIONS	09-11-14	J. PORTER

NOTES: UNLESS OTHERWISE SPECIFIED

1. THIS DRAWING SHALL BE USED WITH CAD MODEL FOR COMPLETE PRODUCT DEFINITION. REFER TO TABLE ON BOTTOM LEFT OF FORMAT.



FRONT COVER MOUNTING SCREWS
80-5967-04
2 PLACES

ROUGH-IN BOX
62-5968-84

FRONT COVER
62-5968-85

UNLESS OTHERWISE STATED, THE ARTICLE SPECIFIED SHALL BE RoHS COMPLIANT PER EU DIRECTIVE 2002/95/EC

NOTICE: This drawing is the property of AMX LLC. All information contained herein this is not generally known shall be confidential except to the extent the information had been previously established. This drawings may not be copied, reproduced, or used as the basis for manufacture or sale without written permission.

UNLESS OTHERWISE SPECIFIED
TOLERANCE ON DECIMAL DIMENSIONS: .X = ±0.1
.XX = ±0.02
.XXX = ±0.010
ANGLES: ±1.0
SURFACE FLATNESS: .003 TIR PER LINEAR INCH
ALL DIMENSIONS IN INCHES.
DO NOT SCALE DRAWING



MOUNTING SPEC, ROUGH-IN BOX, MODERO X 7" FLUSH MOUNT KIT

REF. PRO/E ASSEM FILE = SP5968-83
REF. PRO/E ASSEM REV. = C

THIRD ANGLE PROJECTION

SIZE D	DRAWING NUMBER SP5968-83	REV C
SCALE 1:1	SHEET 1 OF 3	

A

B

C

D

E

F

SP5968-83

2

H

1

1

2

2

3

3

4

4

INSTALL FLUSH WITH FRONT OF STUD

SECURE ROUGH-IN BOX TO STUD WITH WOOD SCREWS OR NAILS (NOT INCLUDED)

FG5968-83

ROUGH-IN BOX MUST BE SECURED ON BOTH LEFT AND RIGHT SIDE OF THE BOX

REMOVE THESE TABS FOR NEW CONSTRUCTION INSTALLATIONS

STUD SPACING
7.682
[195,12]

NEW CONSTRUCTION INSTALLATION
(PRE-WALL BOARD)
FRONT COVER REMOVED FOR CLARITY

NOTICE: This drawing is the property of AMX LLC. All information contained herein this is not generally known shall be confidential except to the extent the information had been previously established. This drawings may not be copied, reproduced, or used as the basis for manufacture or sale without written permission.



AMX LLC
3000 RESEARCH DRIVE
RICHARDSON, TX 75082

MOUNTING SPEC, ROUGH-IN BOX,
MODERO X 7" FLUSH MOUNT KIT

SIZE D	DRAWING NUMBER SP5968-83	REV C
SCALE 1:1	SHEET 2 OF 3	

A

B

C

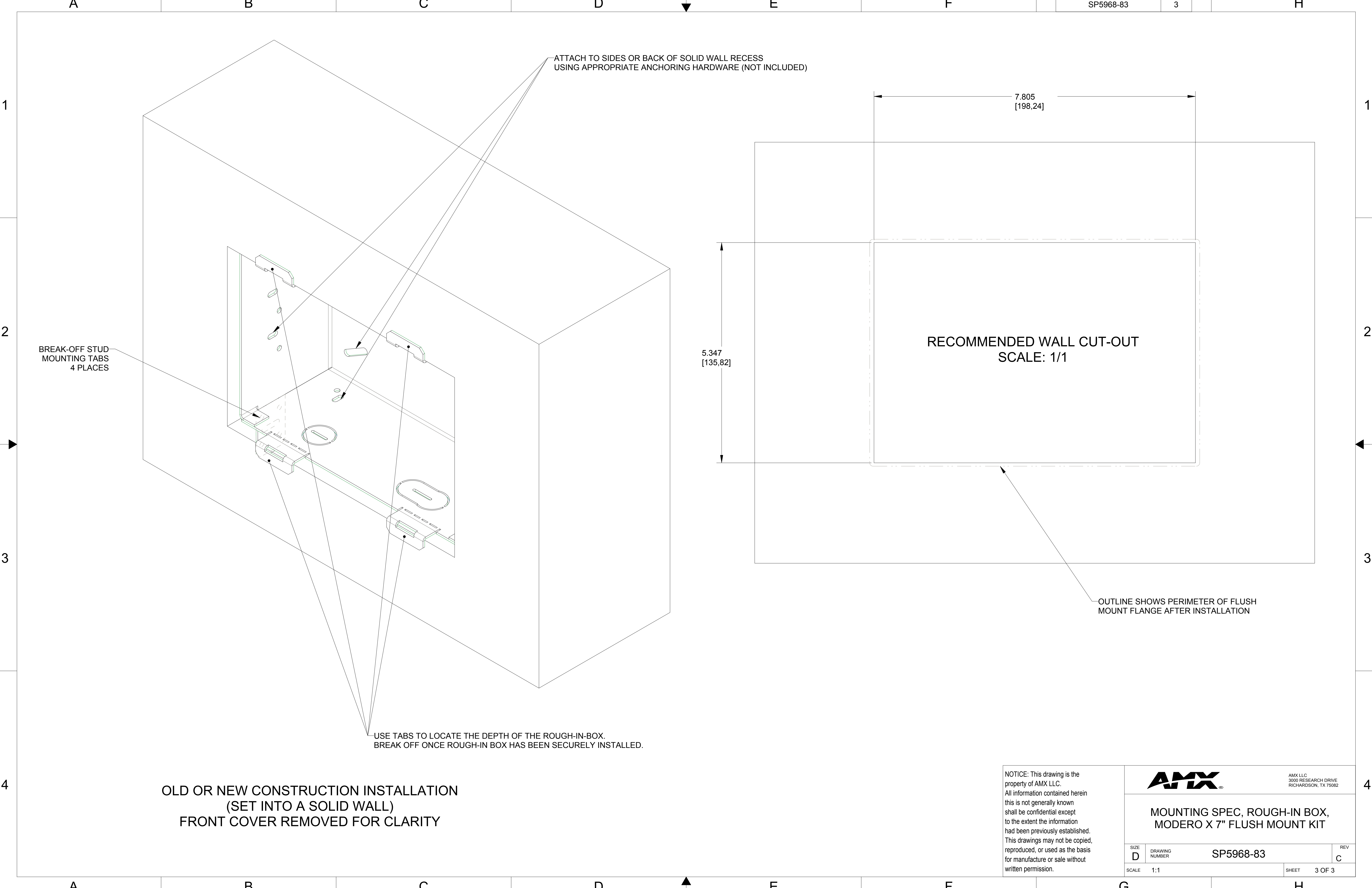
D

E

F

G

H



ATTACH TO SIDES OR BACK OF SOLID WALL RECESS USING APPROPRIATE ANCHORING HARDWARE (NOT INCLUDED)

BREAK-OFF STUD MOUNTING TABS 4 PLACES

USE TABS TO LOCATE THE DEPTH OF THE ROUGH-IN-BOX. BREAK OFF ONCE ROUGH-IN BOX HAS BEEN SECURELY INSTALLED.

RECOMMENDED WALL CUT-OUT SCALE: 1/1

OUTLINE SHOWS PERIMETER OF FLUSH MOUNT FLANGE AFTER INSTALLATION

OLD OR NEW CONSTRUCTION INSTALLATION (SET INTO A SOLID WALL) FRONT COVER REMOVED FOR CLARITY

NOTICE: This drawing is the property of AMX LLC. All information contained herein this is not generally known shall be confidential except to the extent the information had been previously established. This drawings may not be copied, reproduced, or used as the basis for manufacture or sale without written permission.

AMX
 AMX LLC
 3000 RESEARCH DRIVE
 RICHARDSON, TX 75082

MOUNTING SPEC, ROUGH-IN BOX, MODERO X 7" FLUSH MOUNT KIT

SIZE D	DRAWING NUMBER SP5968-83	REV C
SCALE 1:1	SHEET 3 OF 3	