

REVISIONS				
REV	ECN NUMBER	DESCRIPTION	DATE	APPROVED
A	22371	INITIAL RELEASE	03-13-14	J. PORTER

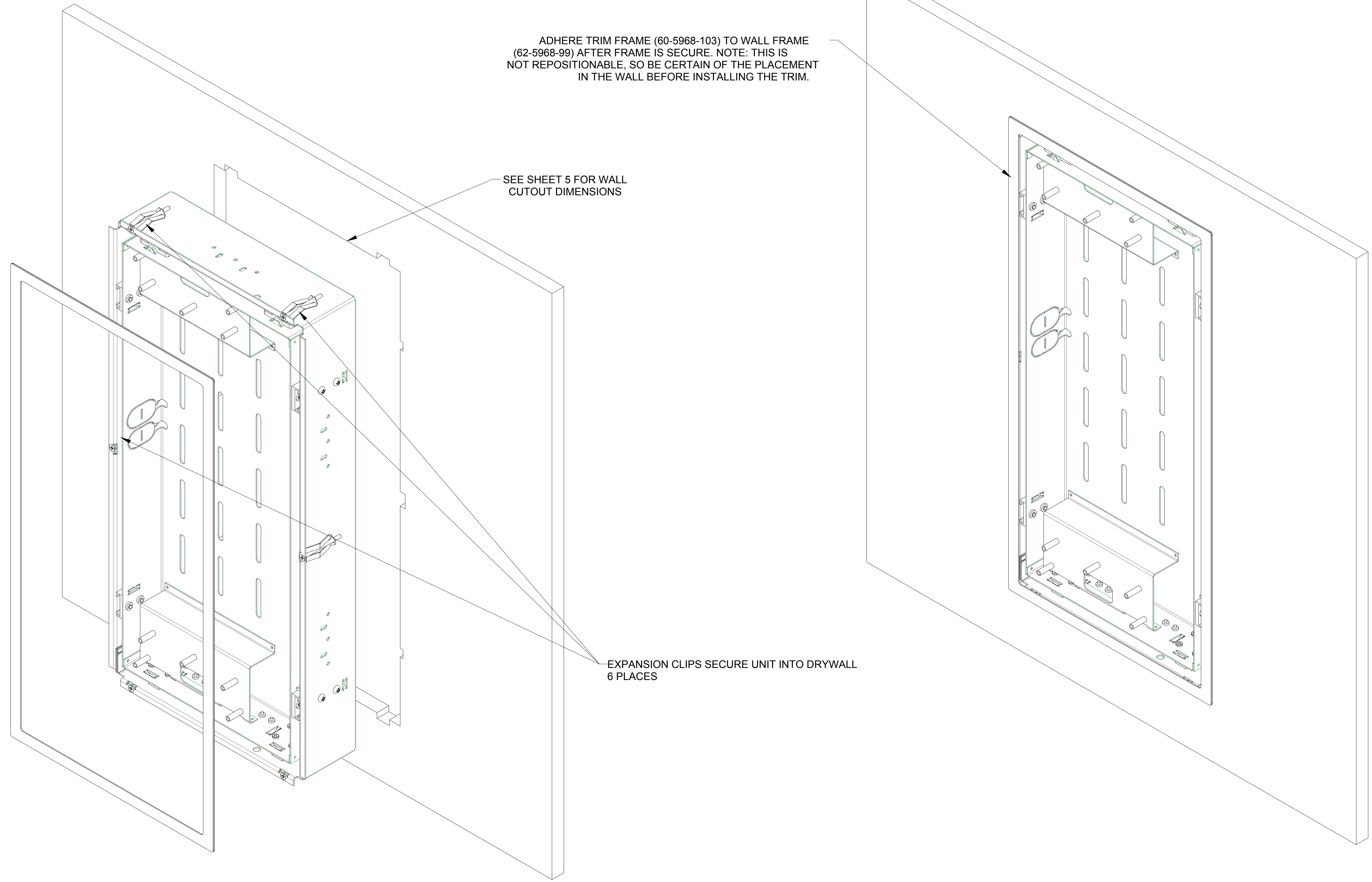
NOTES: UNLESS OTHERWISE SPECIFIED

1. THIS DRAWING SHALL BE USED WITH CAD MODEL FOR COMPLETE PRODUCT DEFINITION. REFER TO TABLE ON BOTTOM LEFT OF FORMAT.

ADHERE TRIM FRAME (60-5968-103) TO WALL FRAME (62-5968-99) AFTER FRAME IS SECURE. NOTE: THIS IS NOT REPOSITIONABLE, SO BE CERTAIN OF THE PLACEMENT IN THE WALL BEFORE INSTALLING THE TRIM.

SEE SHEET 5 FOR WALL CUTOUT DIMENSIONS

EXPANSION CLIPS SECURE UNIT INTO DRYWALL 6 PLACES



OLD CONSTRUCTION INSTALLATION DRYWALL

UNLESS OTHERWISE STATED, THE ARTICLE SPECIFIED SHALL BE RoHS COMPLIANT PER EU DIRECTIVE 2002/95/EC

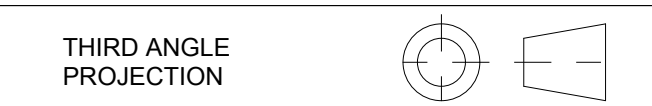
NOTICE: This drawing is the property of AMX LLC. All information contained herein this is not generally known shall be confidential except to the extent the information had been previously established. This drawings may not be copied, reproduced, or used as the basis for manufacture or sale without written permission.

UNLESS OTHERWISE SPECIFIED
 TOLERANCE ON DECIMAL DIMENSIONS: .X = ± 0.1
 .XX = ± 0.02
 .XXX = ± 0.010
 ANGLES: ± 1.0
 SURFACE FLATNESS: .003 TIR PER LINEAR INCH
 ALL DIMENSIONS IN INCHES.
 DO NOT SCALE DRAWING



MOUNTING SPECIFICATION, MXA-FMK-20, FLSH MNT KIT, MODERO X 20

REF. PRO/E ASSEM	FILE =SP5968-54
REF. PRO/E ASSEM	REV. =A



SIZE	D	DRAWING NUMBER	SP5968-54	REV	A
SCALE	1:2	SHEET	1 OF 5		

A

B

C

D

E

F

SP5968-54

2

H

1

2

3

4

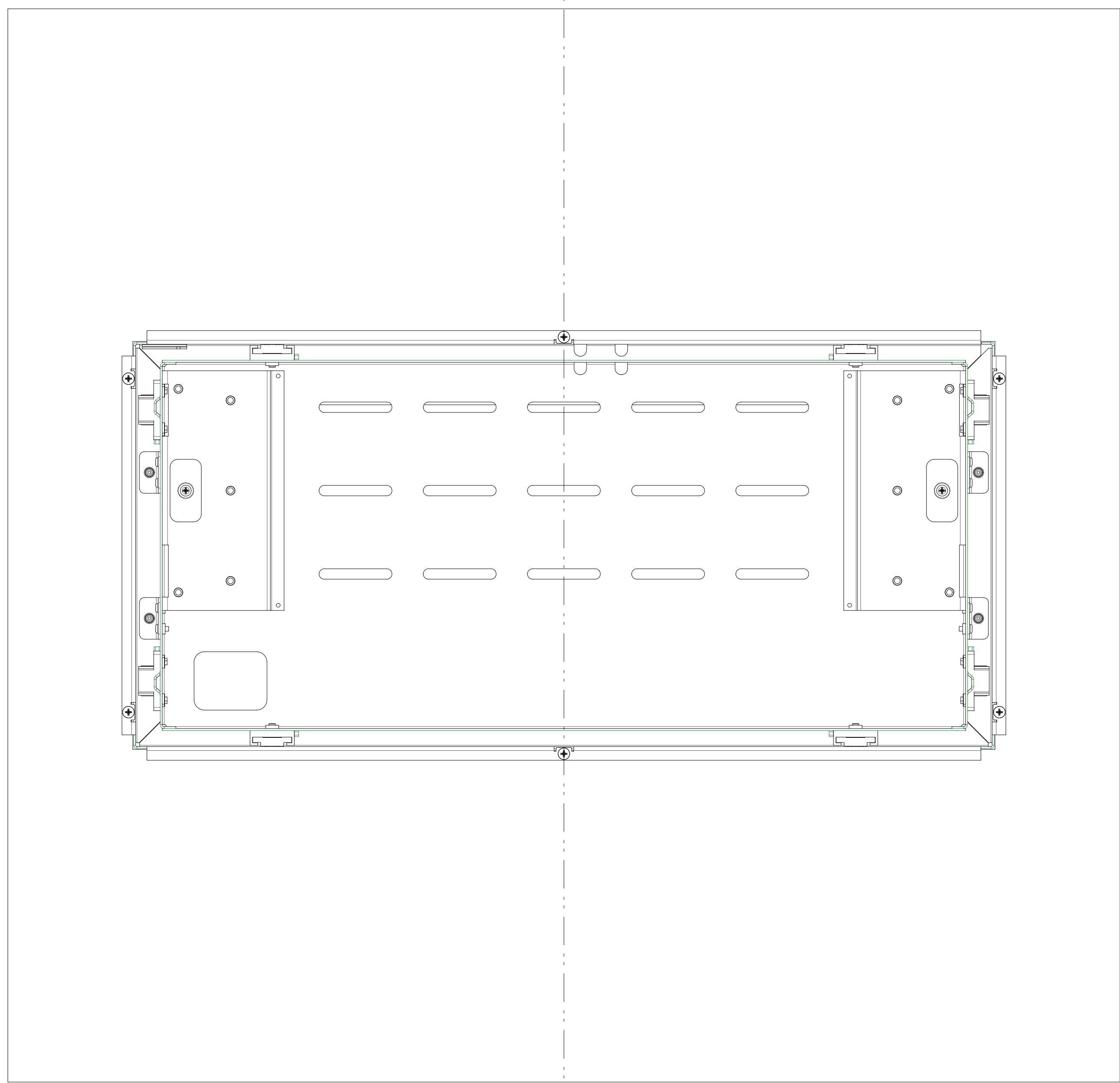
1

2

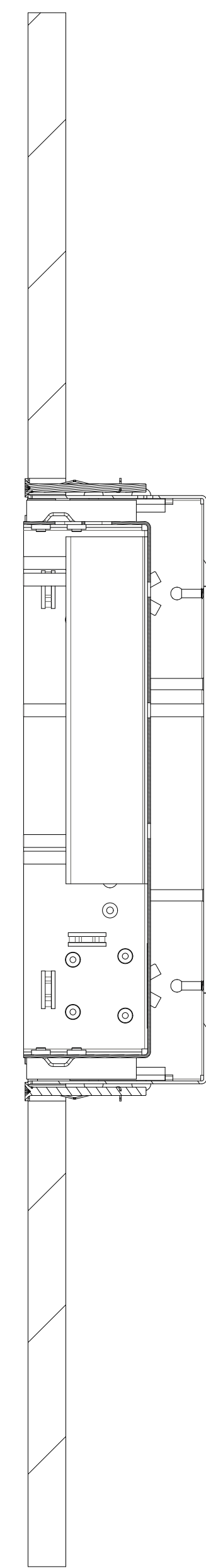
3

4

A ←



← A



SECTION A-A
FROM THIS SHEET

NOTICE: This drawing is the property of AMX LLC. All information contained herein shall be confidential except to the extent the information had been previously established. This drawings may not be copied, reproduced, or used as the basis for manufacture or sale without written permission.



AMX LLC
3000 RESEARCH DRIVE
RICHARDSON, TX 75082

**MOUNTING SPECIFICATION,
MXA-FMK-20, FLSH MNT KIT,
MODERO X 20**

SIZE D	DRAWING NUMBER SP5968-54	REV A
SCALE 1:2	SHEET 2 OF 5	

A

B

C

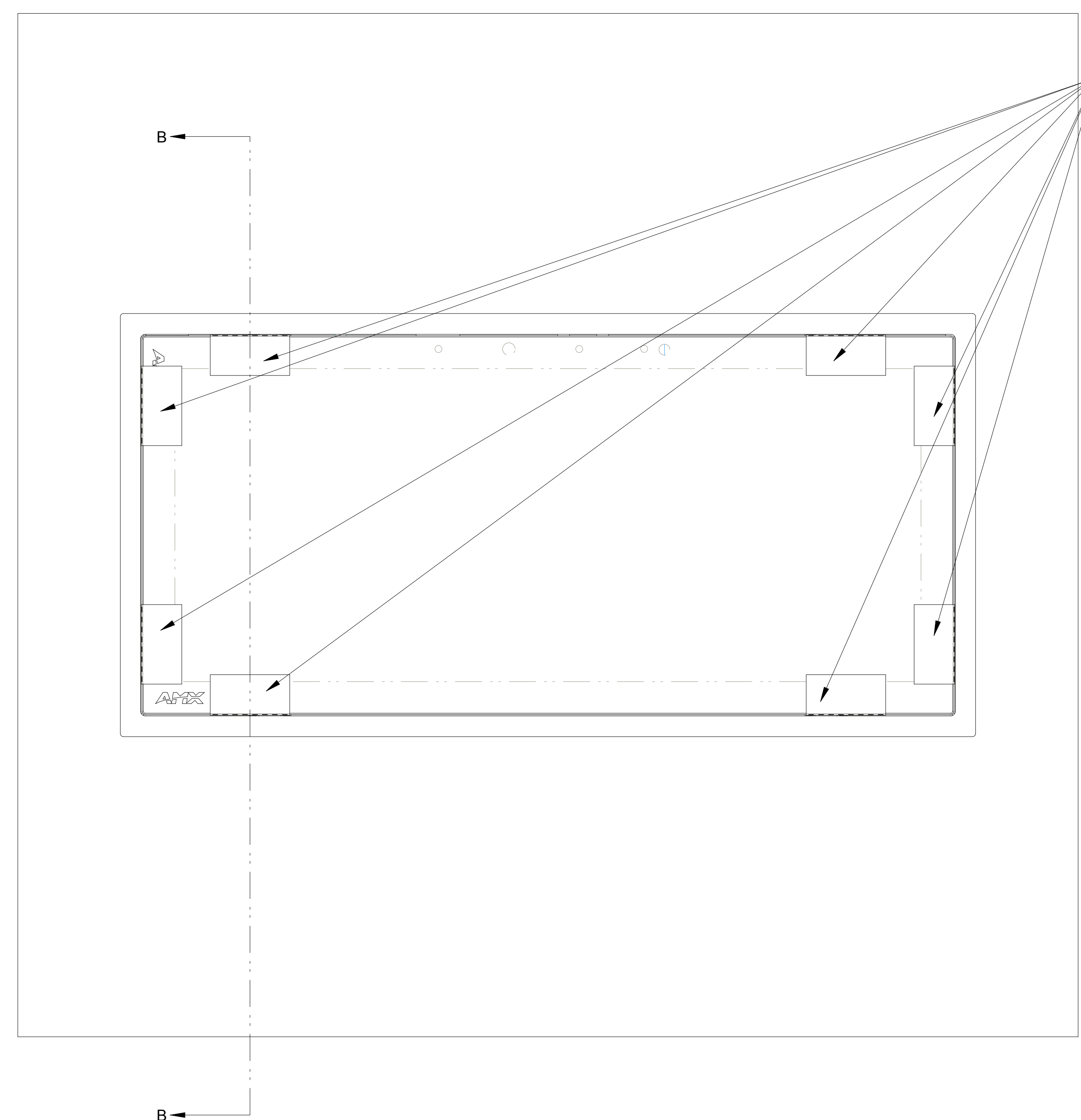
D

E

F

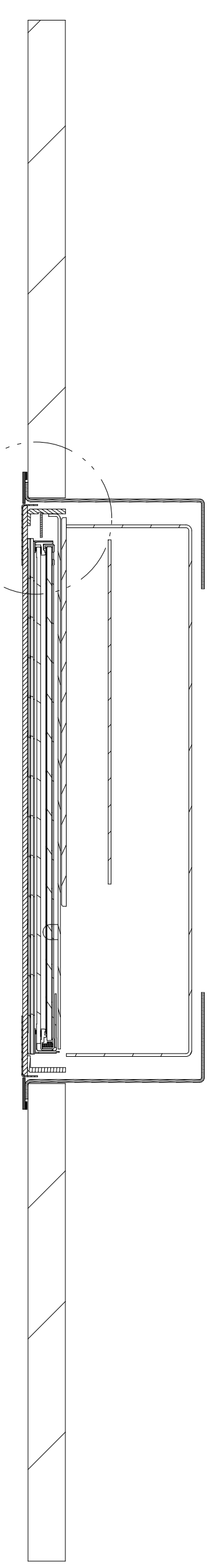
G

H



PLACE SPACERS (66-5968-47) ON THE DISPLAY AS SHOWN TO ENSURE EVEN SPACING BETWEEN THE DISPLAY AND TRIM FRAME (60-5968-102).

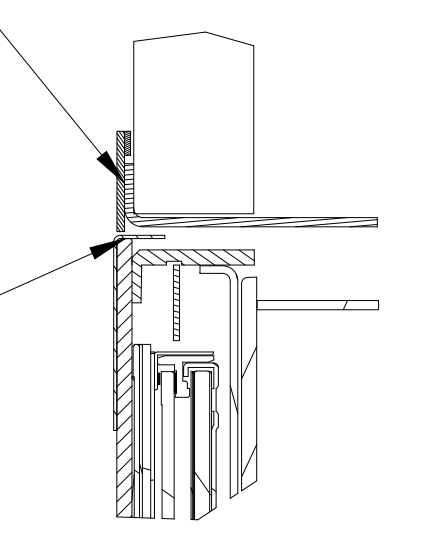
DETAIL C
THIS SHT



SECTION B-B
FROM THIS SHEET

TRIM FRAME (60-5968-103) ADHERES TO SURFACE OF WALL FRAME (62-5968-99)

ADHERE SPACER TO THE DISPLAY WITH THE BENT TAB FLUSH WITH THE EDGE OF THE DISPLAY GLASS



DETAIL C
FROM THIS SHEET
SCALE 1:1

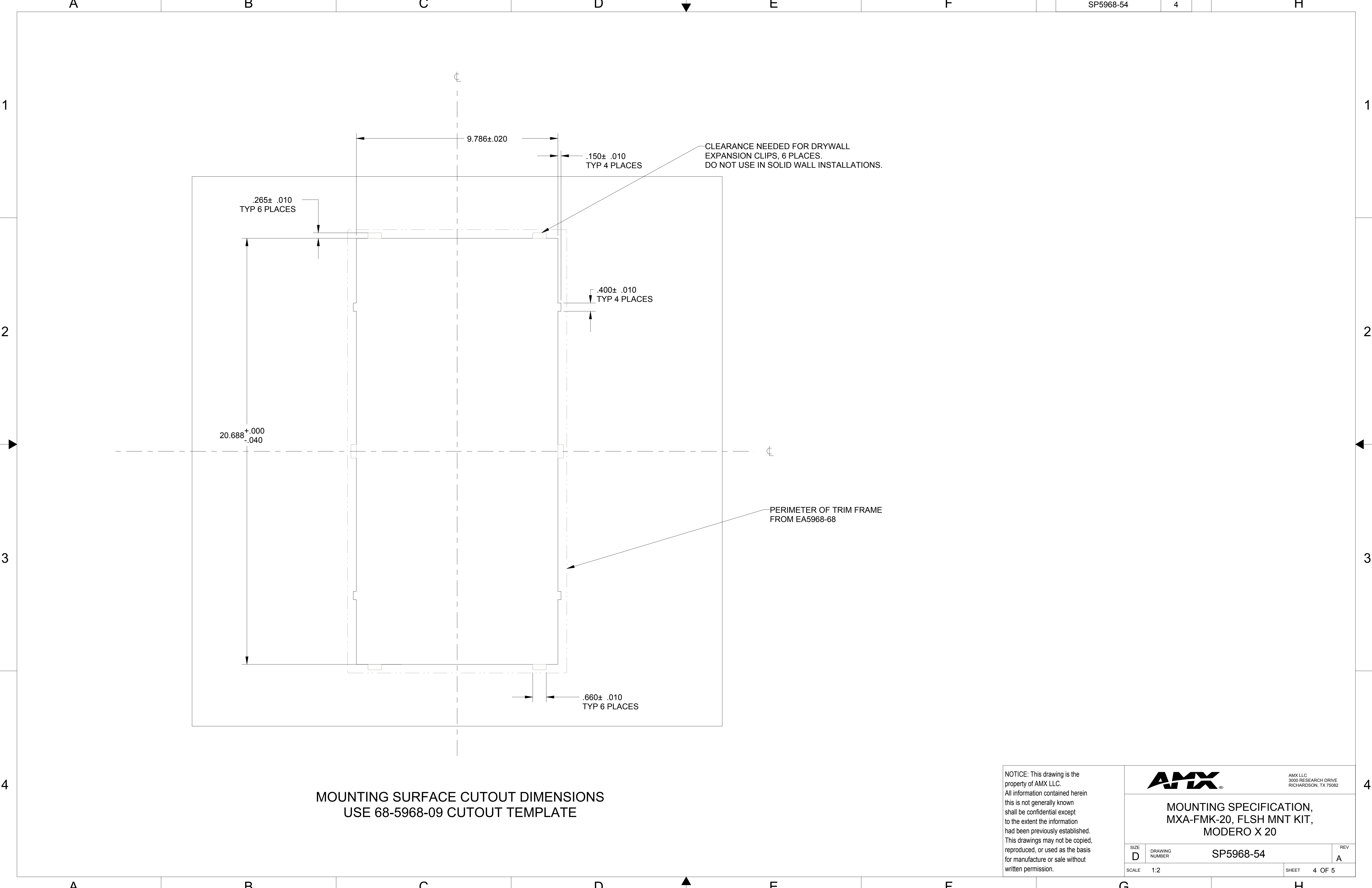
NOTICE: This drawing is the property of AMX LLC. All information contained herein this is not generally known shall be confidential except to the extent the information had been previously established. This drawings may not be copied, reproduced, or used as the basis for manufacture or sale without written permission.



AMX LLC
3000 RESEARCH DRIVE
RICHARDSON, TX 75082

**MOUNTING SPECIFICATION,
MXA-FMK-20, FLSH MNT KIT,
MODERO X 20**

SIZE D	DRAWING NUMBER SP5968-54	REV A
SCALE 1:2	SHEET 3 OF 5	



MOUNTING SURFACE CUTOUT DIMENSIONS
USE 68-5968-09 CUTOUT TEMPLATE

NOTICE: This drawing is the property of AMX LLC. All information contained herein this is not generally known shall be confidential except to the extent the information had been previously established. This drawings may not be copied, reproduced, or used as the basis for manufacture or sale without written permission.

		<small>AMX LLC 3000 RESEARCH DRIVE RICHARDSON, TX 75082</small>	
		MOUNTING SPECIFICATION, MXA-FMK-20, FLSH MNT KIT, MODERO X 20	
<small>SIZE</small> D	<small>DRAWING NUMBER</small> SP5968-54	<small>REV</small> A	<small>SHEET</small> 4 OF 5
<small>SCALE</small> 1:2			<small>SHEET</small> 4 OF 5

A

B

C

D

E

F

SP5968-54

5

H

1

1

2

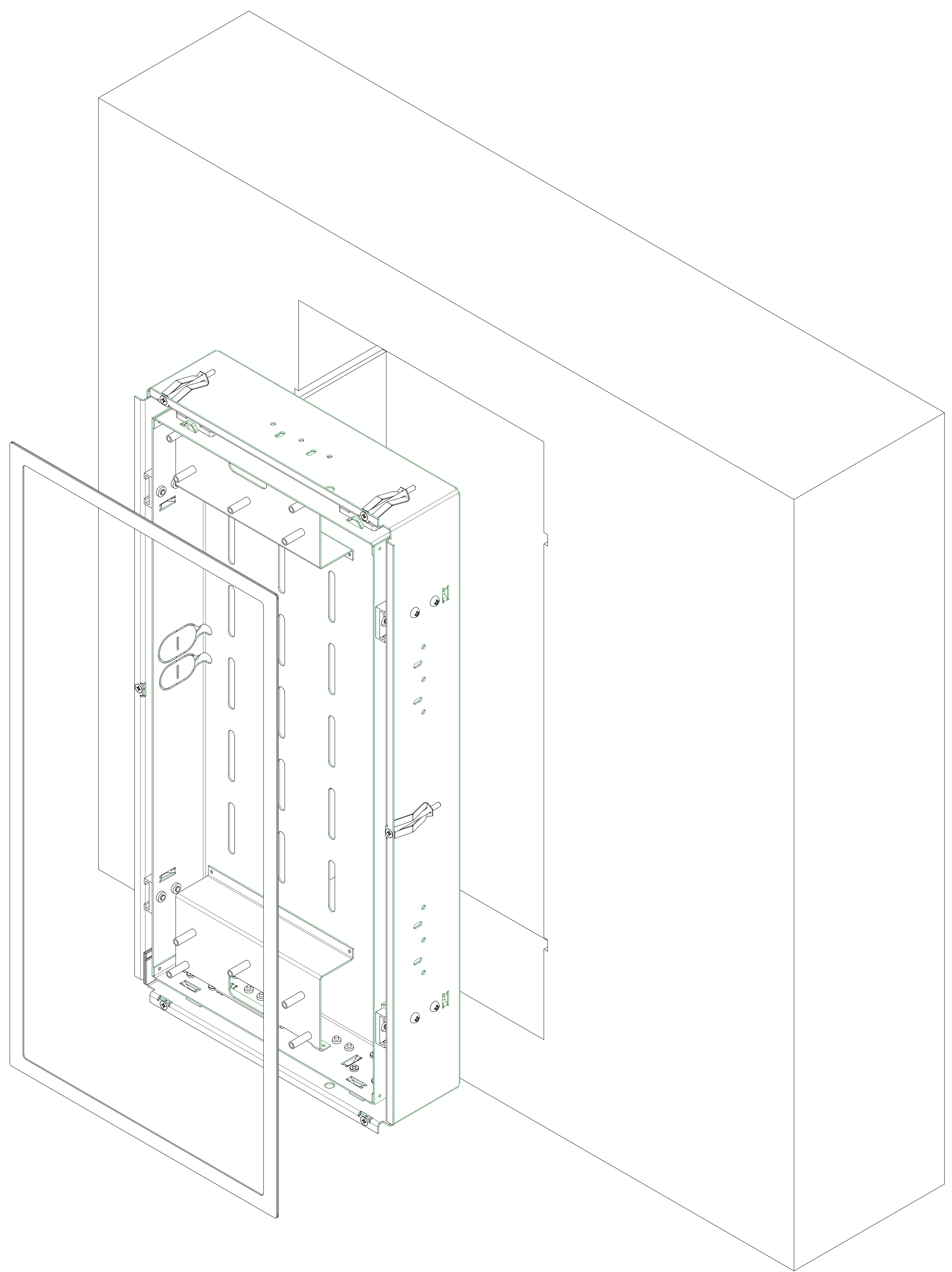
2

3

3

4

4



OLD OR NEW CONSTRUCTION INSTALLATION
SOLID WALL

NOTICE: This drawing is the property of AMX LLC. All information contained herein this is not generally known shall be confidential except to the extent the information had been previously established. This drawings may not be copied, reproduced, or used as the basis for manufacture or sale without written permission.

		<small>AMX LLC 3000 RESEARCH DRIVE RICHARDSON, TX 75082</small>	
		SHEET ROCK, FLUSH MOUNT 19" TOUCH PANEL MODERO X SERIES	
<small>SIZE</small> D	<small>DRAWING NUMBER</small> 	SP5968-54	<small>REV</small> A
<small>SCALE</small> 1:2		<small>SHEET</small> 5 OF 5	

A

B

C

D

E

F

G

H