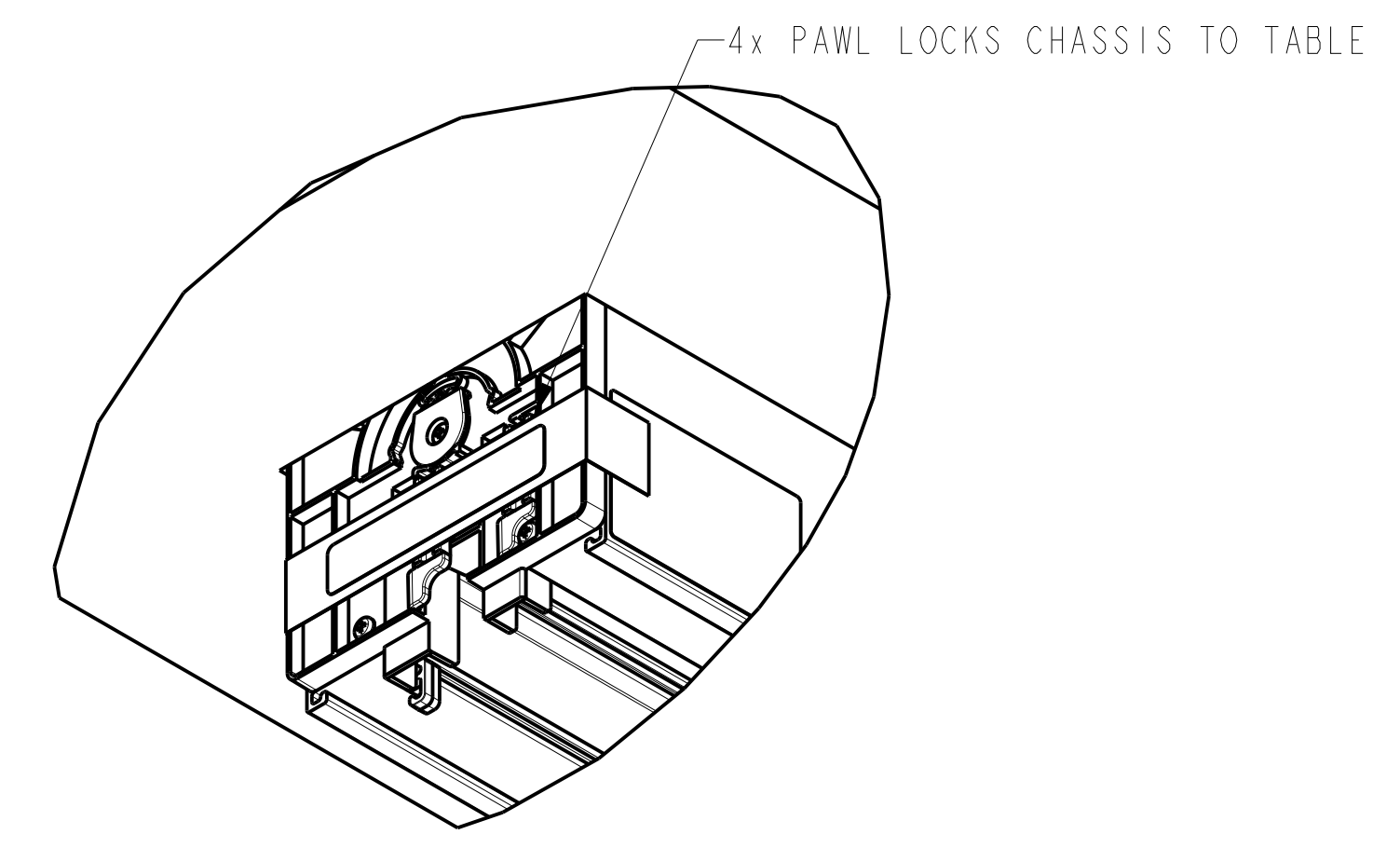
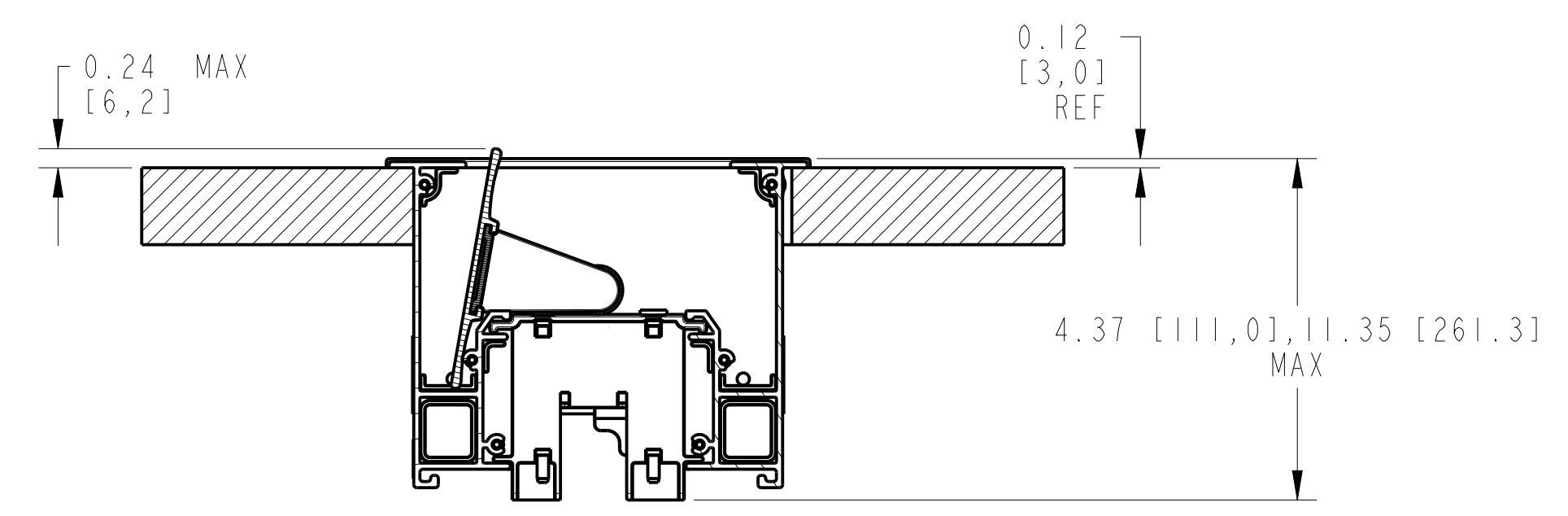
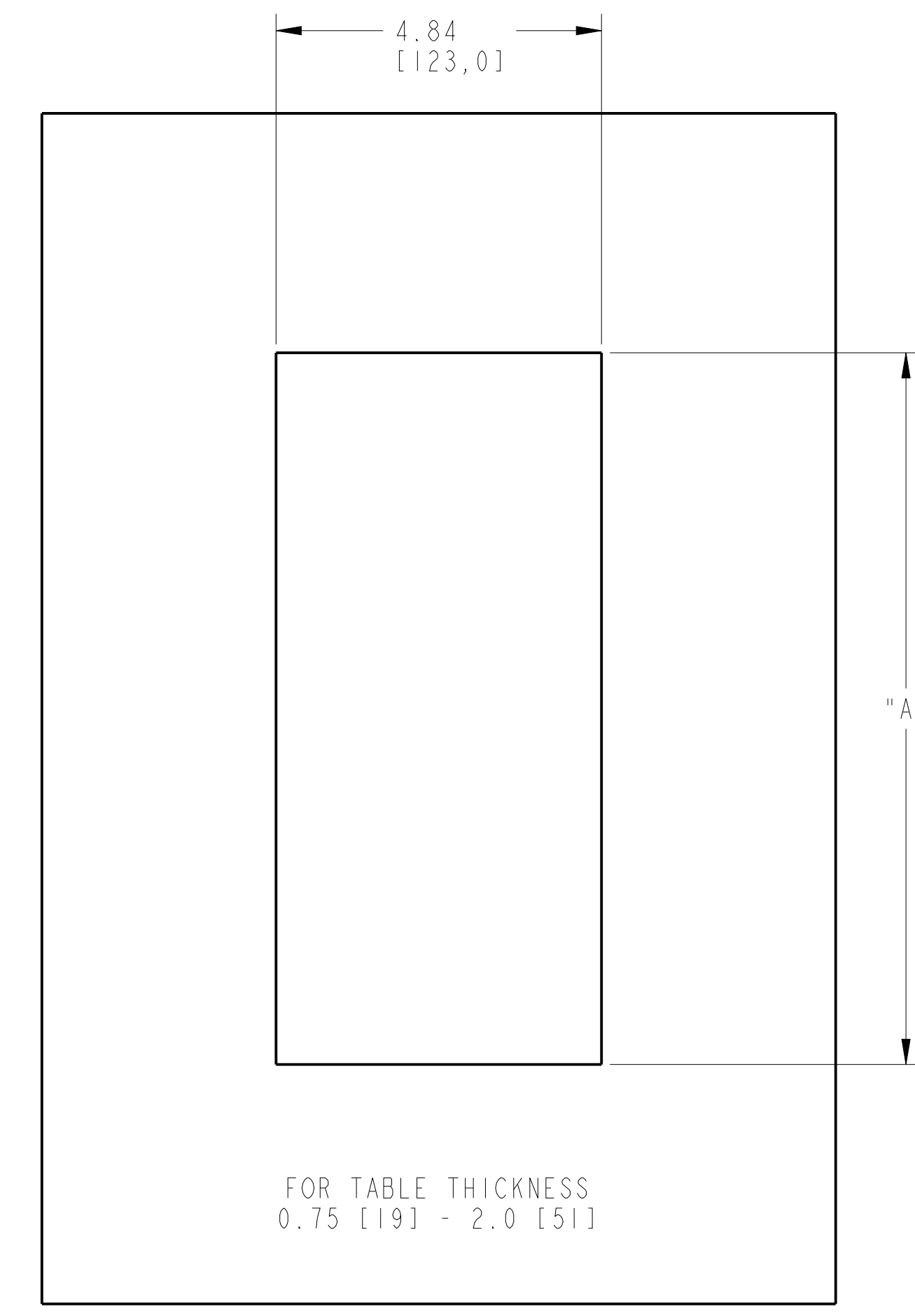
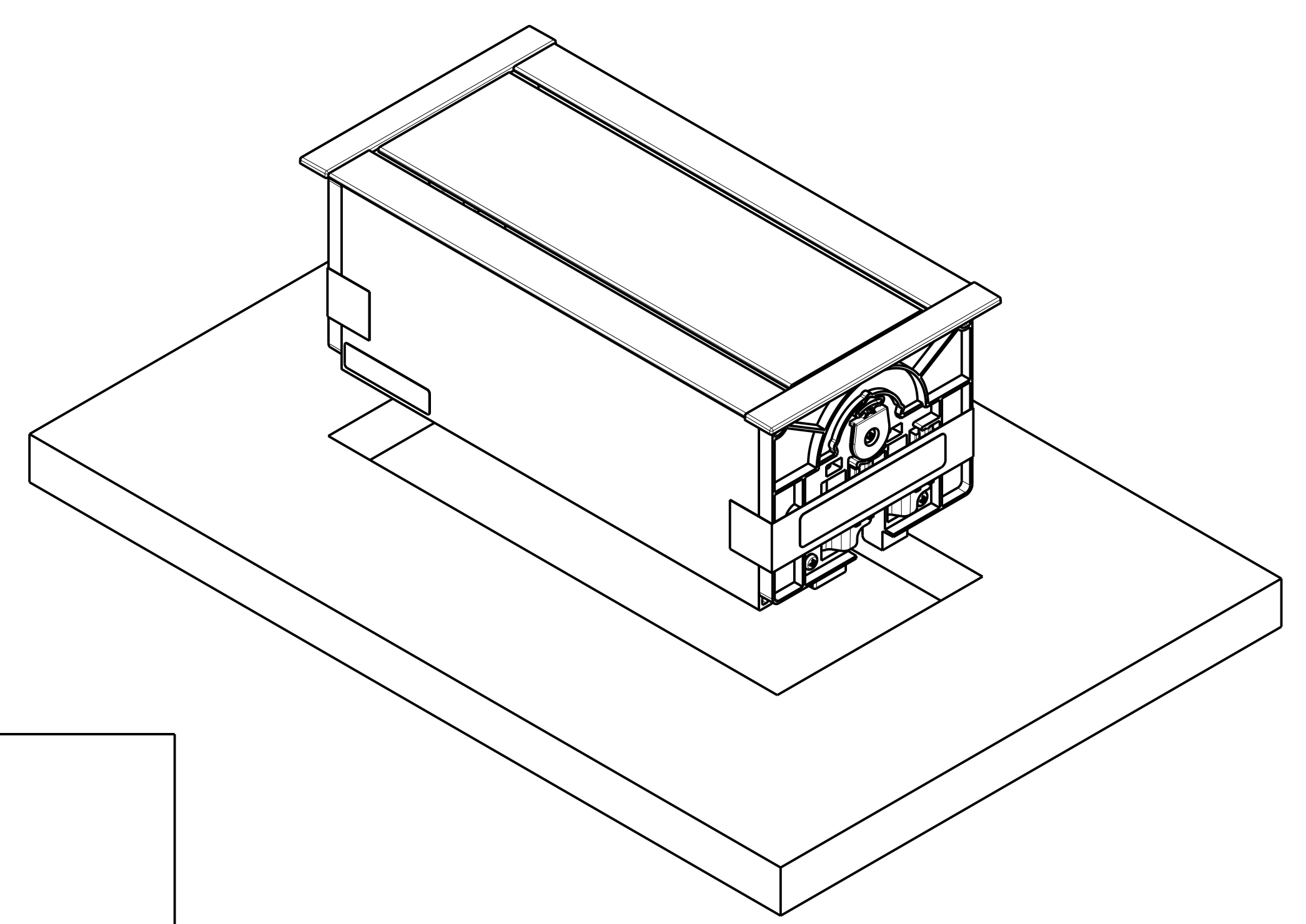
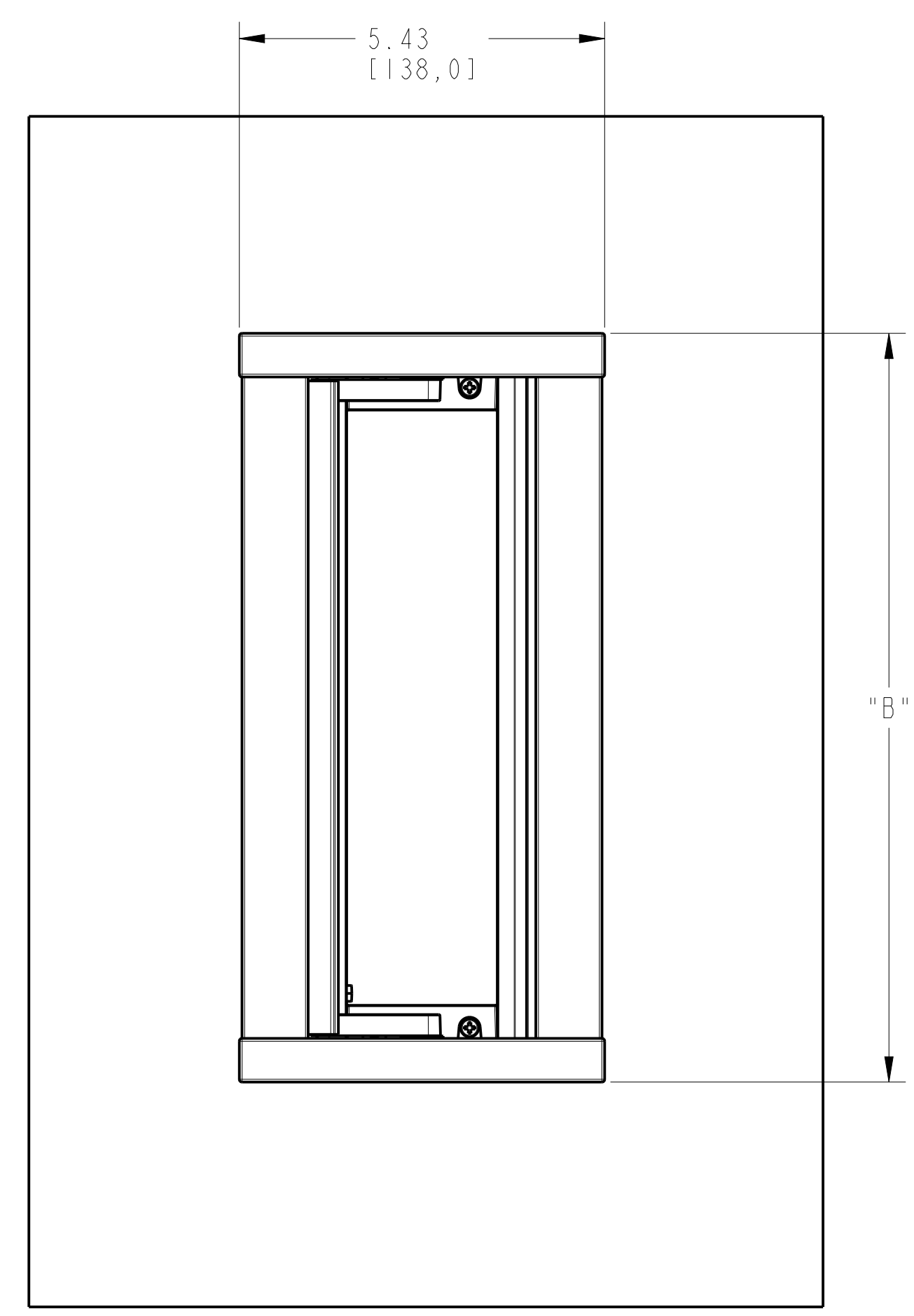


REVISIONS				
REV	ECN NUMBER	DESCRIPTION	DATE	APPROVED
A	18059	DOCUMENT RELEASE	18-May-11	X
B	18436	ADD -02 AND -03 CONFIGURATIONS	30-AUG-11	X

NOTES: UNLESS OTHERWISE SPECIFIED
 1. DIMENSIONS IN [] ARE IN MILLIMETERS.



UNLESS OTHERWISE STATED, THE ARTICLE SPECIFIED SHALL BE RoHS COMPLIANT PER EU DIRECTIVE 2002/95/EC

560-03	HPX-1200	12M	13.54 [344.0]	14.09 [358.0]
560-02	HPX-900	9M	10.59 [269.0]	11.14 [283.0]
560-01	HPX-600	6M	7.64 [194.0]	8.19 [208.0]
CONFIGURATION	MODEL NUMBER	NUMBER OF MODULES	"A"	"B"

NOTICE: This drawing is the property of AMX LLC. All information contained herein this is not generally known shall be confidential except to the extent the information had been previously established. This drawings may not be copied, reproduced, or used as the basis for manufacture or sale without written permission.

UNLESS OTHERWISE SPECIFIED
 TOLERANCE ON DECIMAL DIMENSIONS: .x = ±0.1
 .xx = ±0.02
 .xxx = ±0.010
 ANGLES: ±1.0°
 SURFACE FLATNESS .003 TIR PER LINEAR INCH
 ALL DIMENSIONS IN INCHES.
 DO NOT SCALE DRAWING
 THIRD ANGLE PROJECTION

AMX AMX LLC
 3000 RESEARCH DRIVE
 RICHARDSON, TX 75082

MOUNTING SPECIFICATION,
 HYDRAPORT CHASSIS

SIZE D	DRAWING NUMBER SP-560-01	REV B
SCALE 1:2	SHEET 1 OF 1	