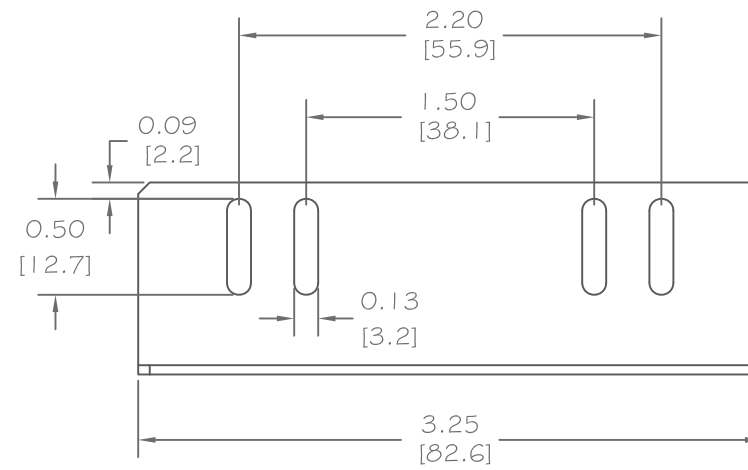
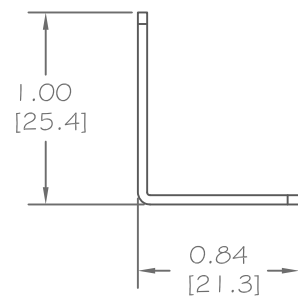
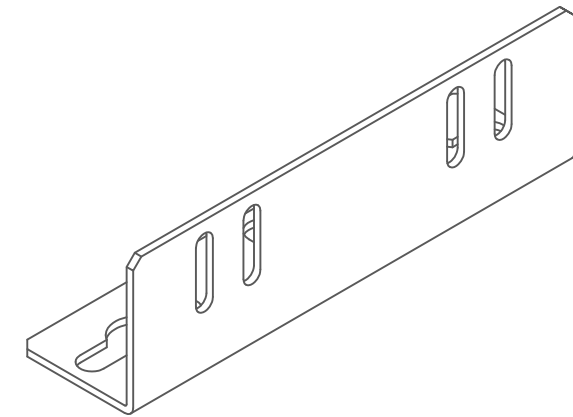
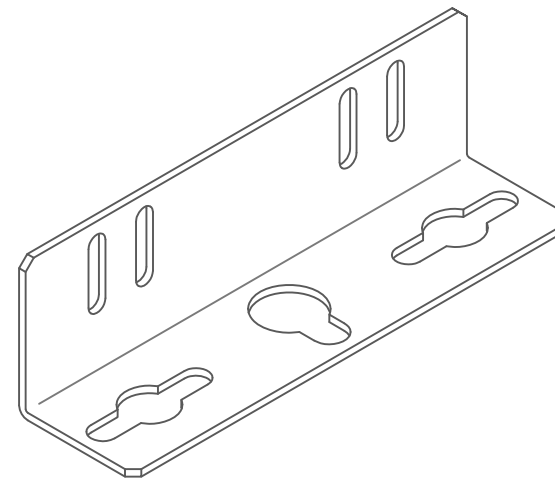
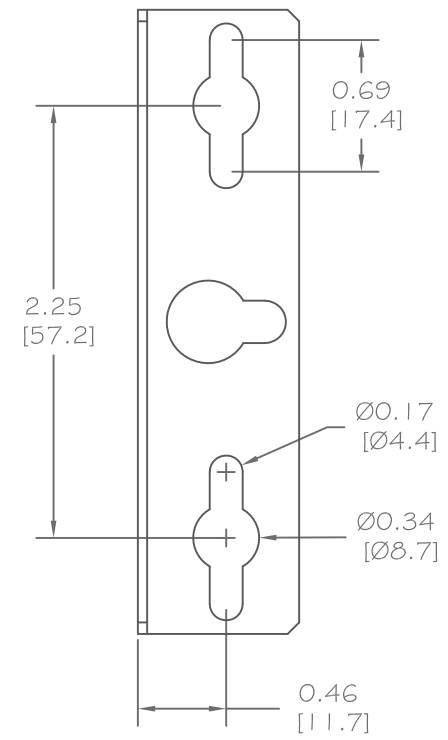


REVISIONS				
REV	ECN	DESCRIPTION	DATE	DSNR
A	15112	DRAWING RELEASE	8/14/09	JSH
B	18031	PART UPDATES	5/13/11	JSH



NOTICE: This drawing is the property of AMX, AutoPatch Group. All information contained herein that is not generally known shall be confidential except to the extent the information has been previously established. This drawing may not be copied, reproduced, or used as the basis for manufacture or sale without written permission.

AMX AMX, AUTOPATCH GROUP
2416 CHENEY-SPOKANE RD.
CHENEY, WA 99004

PICTORIAL, V STYLE MODULE, SURFACE MOUNT BRACKET

SIZE	SCALE	DWG NO.	REV
B	1:1	95-1010-722	B
FILE	95-1010-722_B.DWG	SHEET	1 OF 1