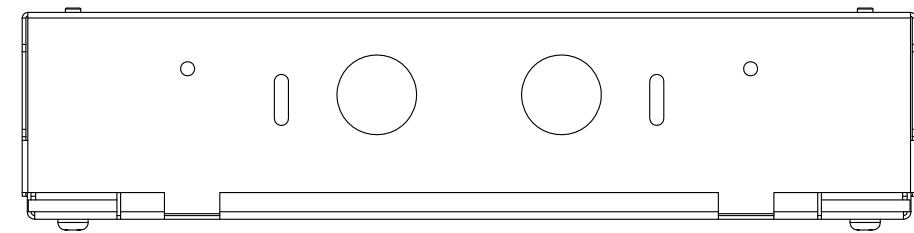
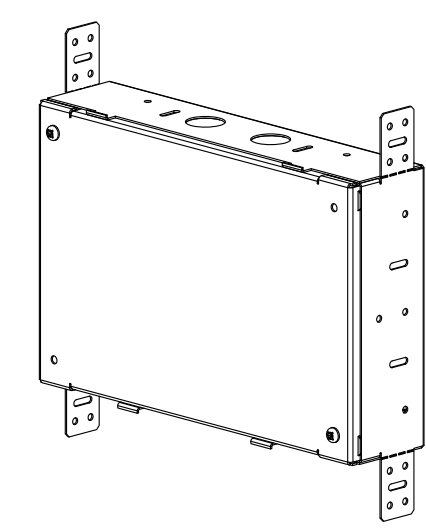


A B C D E F G H

1

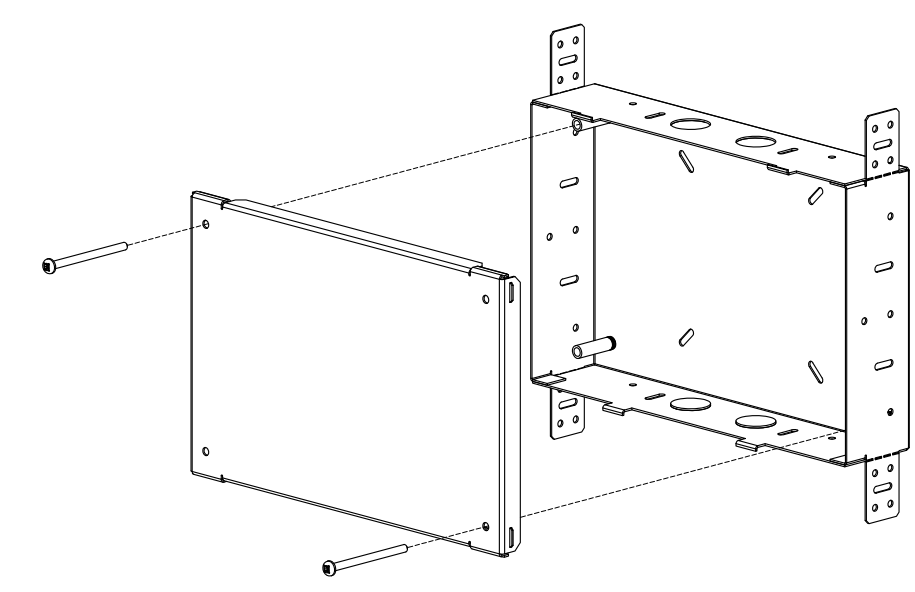
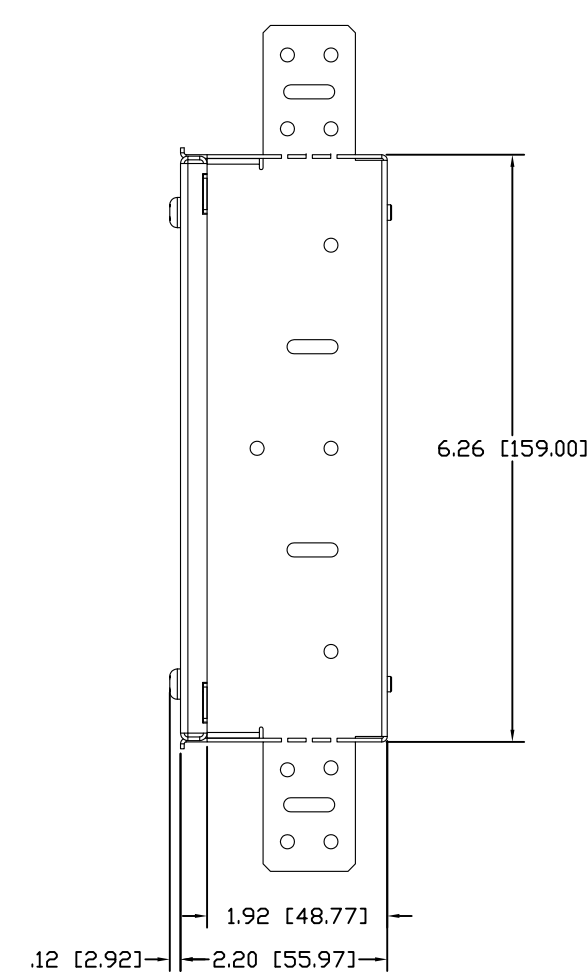
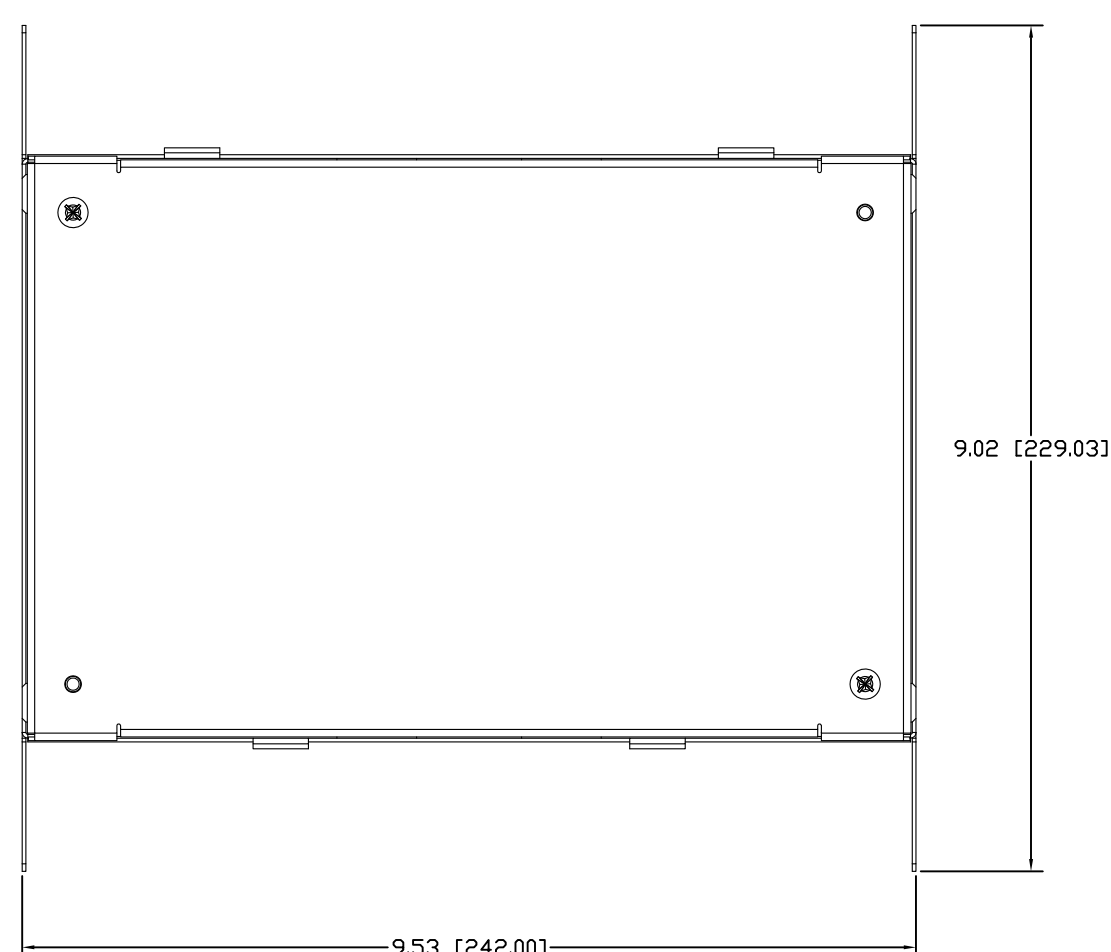


1



2

2



3

3

4

4

A B C D E F G H

NOTICE: This drawing is the property of AMX LLC. All information contained herein shall be confidential except to the extent the information has been previously established. This drawing may not be copied, reproduced, or used as the basis for manufacture or sale without written permission.

**AMX**  
AMX LLC  
3000 RESEARCH DRIVE  
RICHARDSON, TX 75082

PICTORIAL DRAWING,  
ROUGH-IN BOX,  
MODERO S

SIZE D	DWG. NO. 95-2265-08	REV. B
SCALE N/A	ACAD FILE NO. 95-2265-08_B	SHEET 2 OF 2