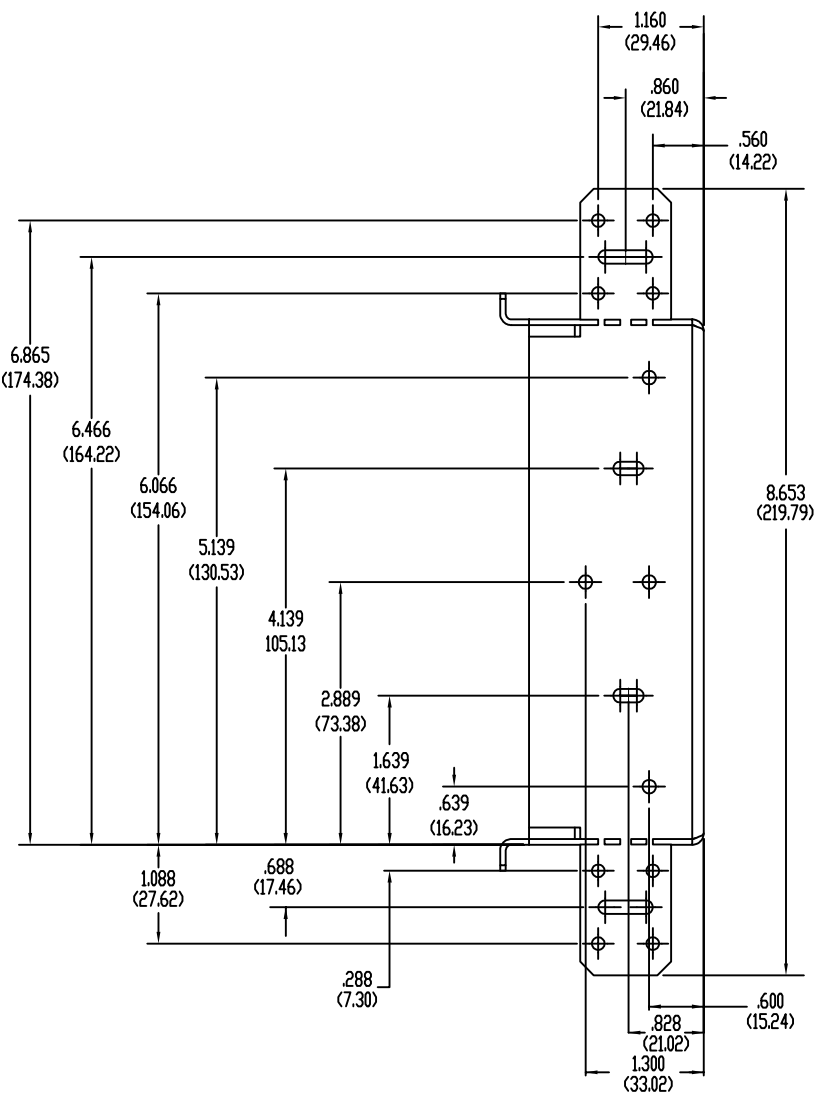
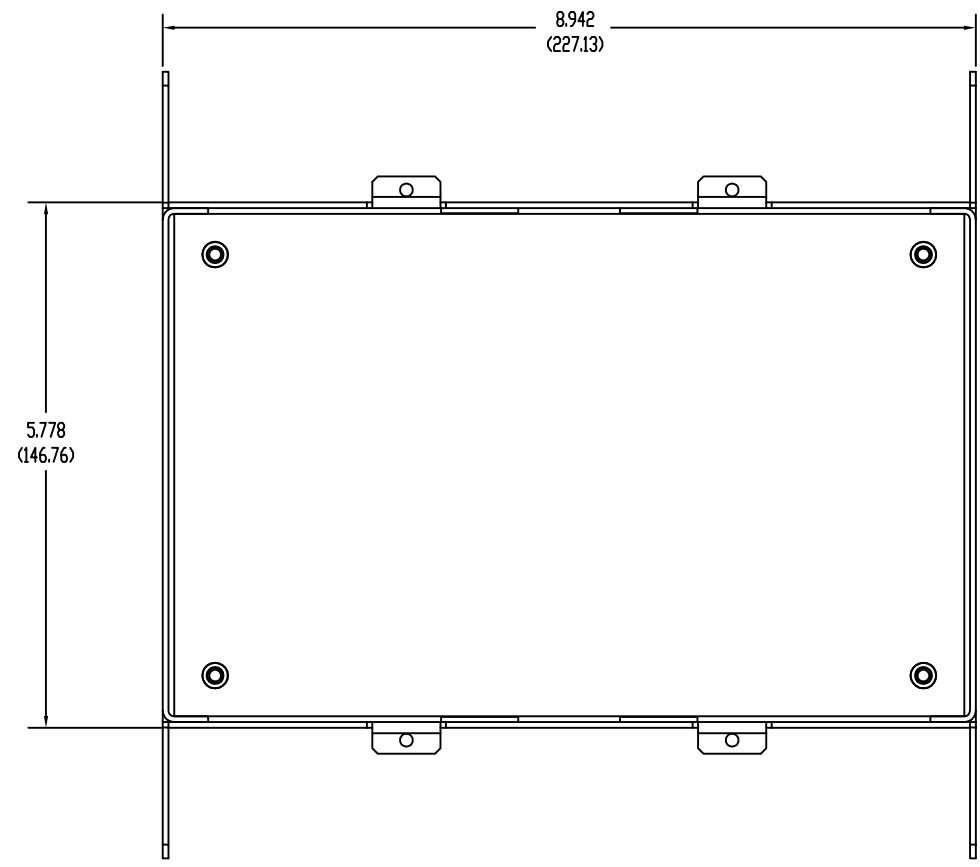
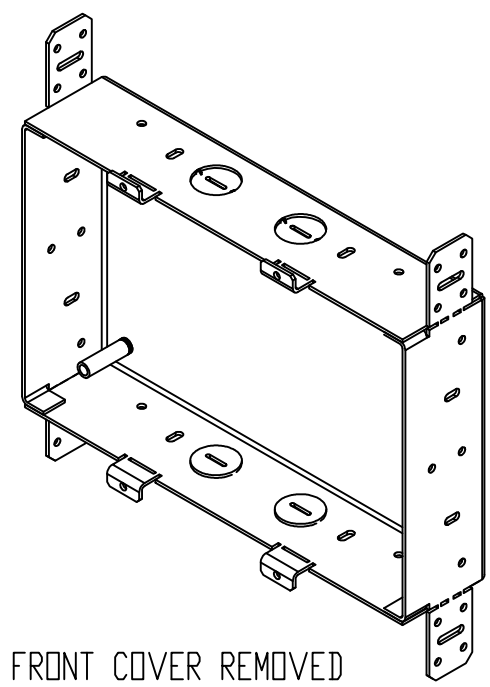
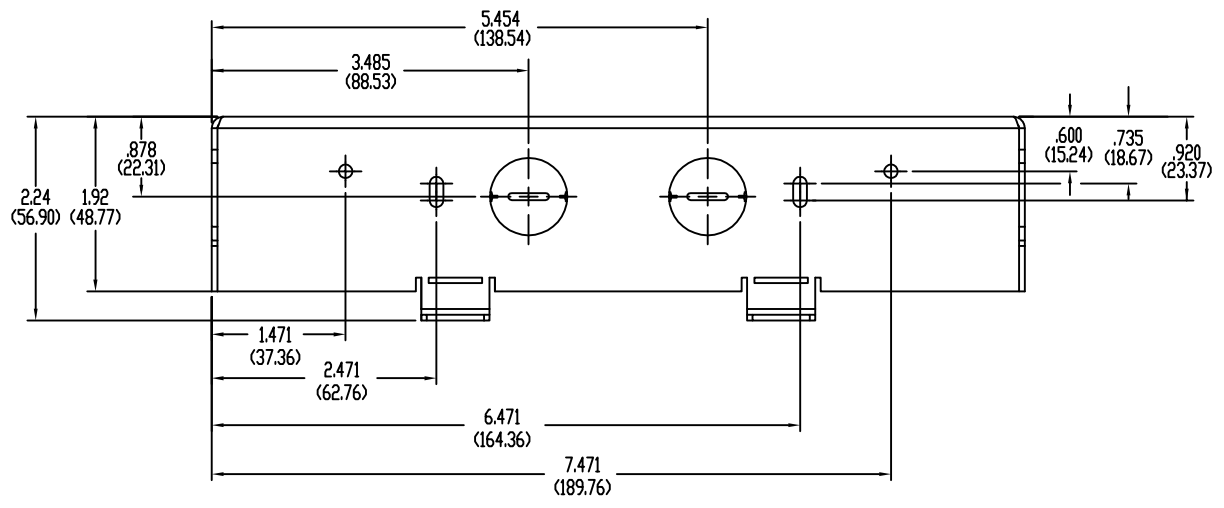


A B C D E F G H

NOTES: UNLESS OTHERWISE SPECIFIED:

1. DIMENSIONS IN ( ) ARE IN MILLIMETERS.

REVISIONS				
REV	ECN	DESCRIPTION	DATE	APPROVED
A	19266	RELEASE TO PRODUCTION	03/09/11	JL



NOTE: 62-5968-36 (FRONT COVER, ROUGH-IN BOX NOT SHOWN ON THIS SHEET FOR CLARITY. FOR OVERALL DIMENSIONS WITH COVER INSTALLED SEE SHEET 2.

NOTICE: This drawing is the property of AMX LLC. All information contained herein that is not generally known shall be confidential except to the extent the information has been previously established. This drawing may not be copied, reproduced, or used as the basis for manufacture or sale without written permission.

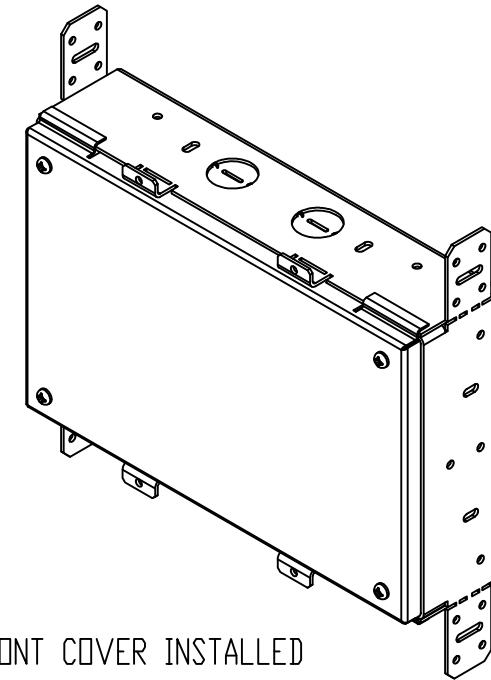
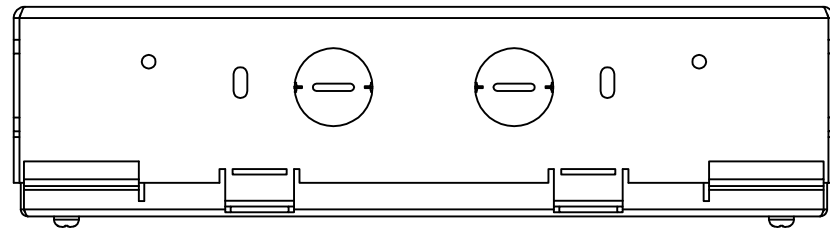
**UNLESS OTHERWISE SPECIFIED**  
 TOLERANCE ON DECIMAL DIMENSIONS: .X = ± 0.1  
 .XX = ± 0.01  
 .XXX = ± 0.005  
 ANGLES: ± 0.5°  
 SURFACE FLATNESS .003 TIR PER LINEAR INCH  
 ALL DIMENSIONS IN INCHES.  
**DO NOT SCALE DRAWING**  
 THIRD ANGLE PROJECTION

**AMX**™ AMX LLC  
 3000 RESEARCH DRIVE  
 RICHARDSON, TX 75082

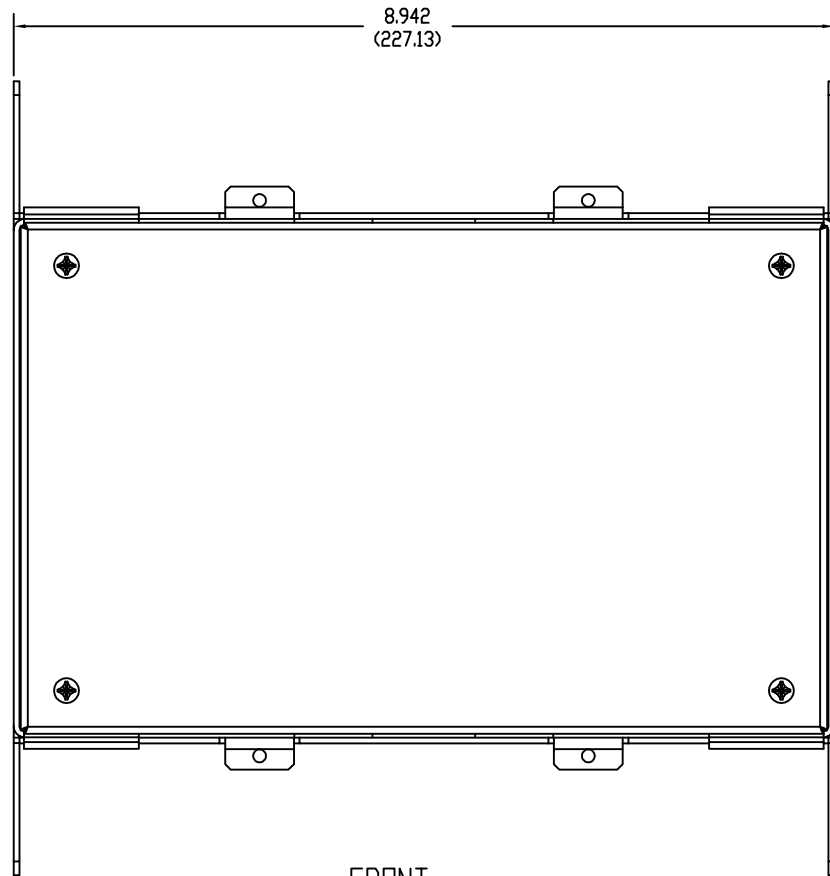
PICTORIAL, BOX, ROUGH-IN, 10.1" WALL

SIZE D	DWG. NO. 95-5968-34	REV. A
SCALE 1/1	ACAD FILE NO.	SHEET 1 OF 2

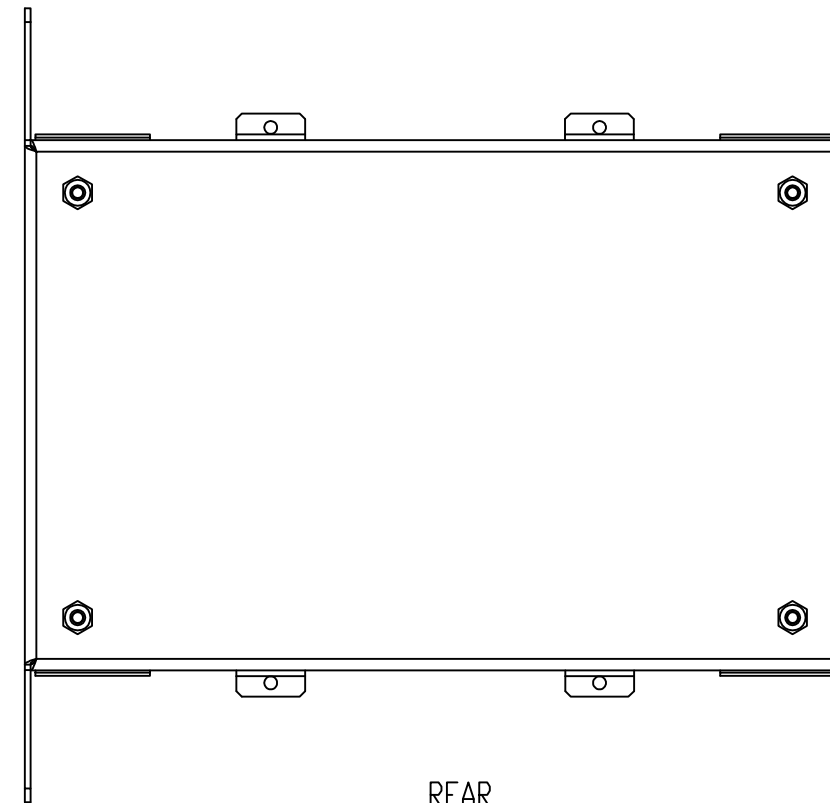
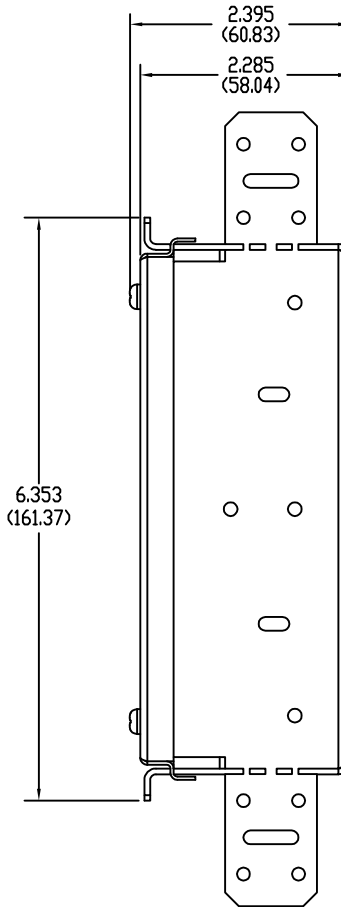
A B C D E F G H



FRONT COVER INSTALLED



FRONT



REAR

NOTICE: This drawing is the property of AMX LLC. All information contained herein that is not generally known shall be confidential except to the extent the information has been previously established. This drawing may not be copied, reproduced, or used as the basis for manufacture or sale without written permission.

		AMX LLC 3000 RESEARCH DRIVE RICHARDSON, TX 75082	
		PICTORIAL, BOX, ROUGH-IN, 10.1" WALL	
SIZE D	DWG. NO. 95-5968-34	ACAD FILE NO.	REV. A
SCALE 1/1	SHEET 2 OF 2		