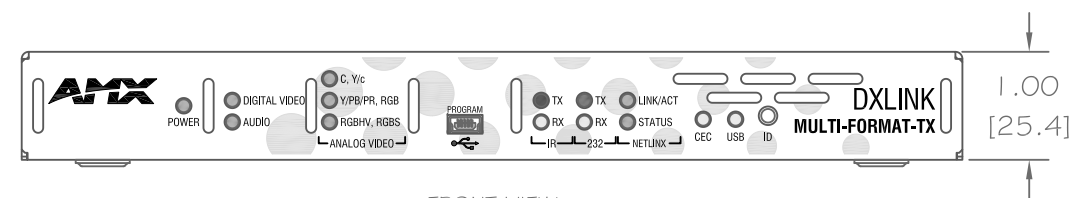
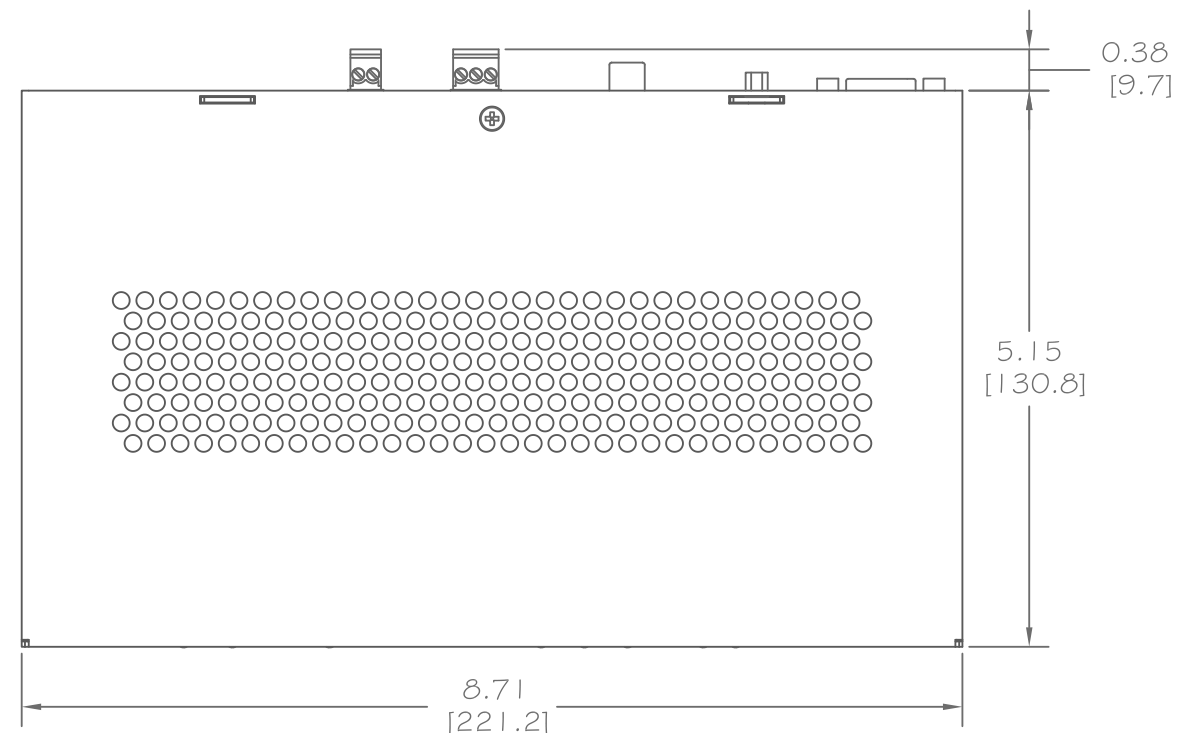
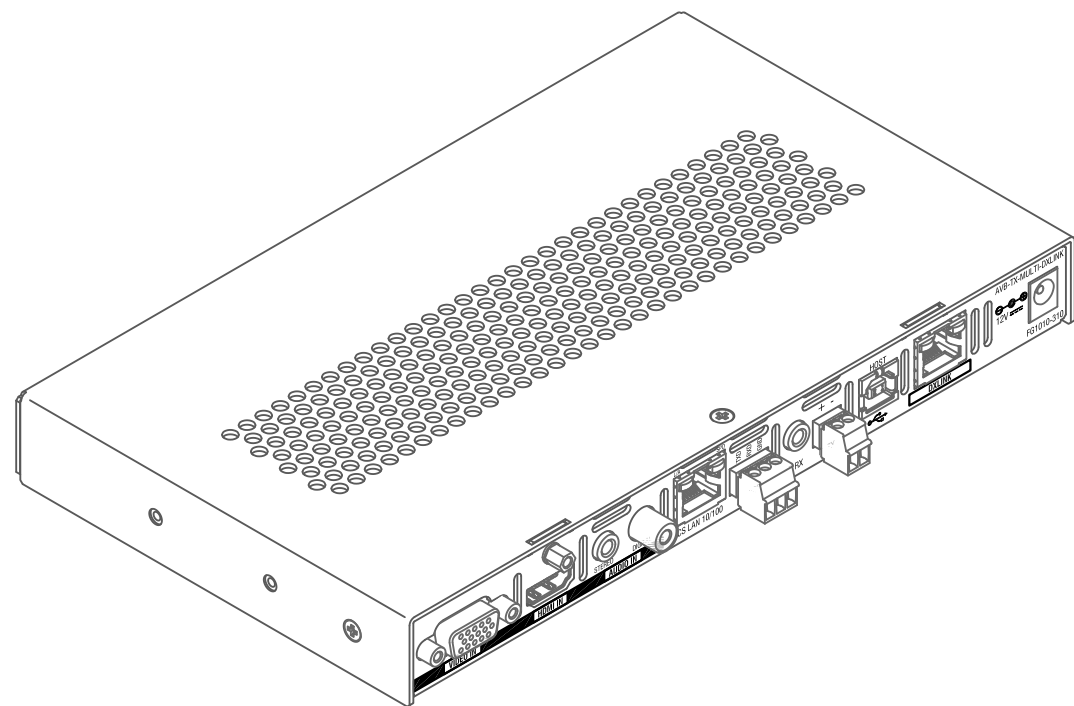
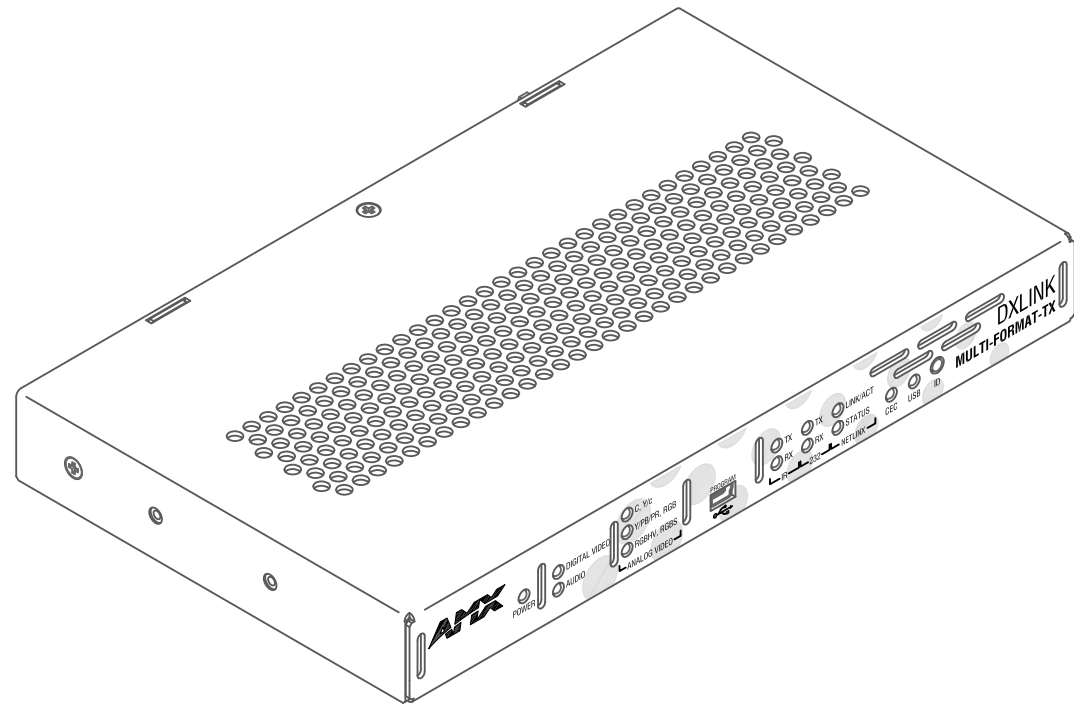
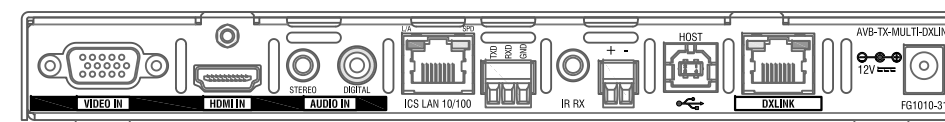


REVISIONS				
REV	ECN	DESCRIPTION	DATE	DSNR
A	18757	DRAWING RELEASE	12/15/11	JSH
B	19310	L/A # SPD CORRECTION	3/20/12	JSH



FRONT VIEW



BACK VIEW



NOTICE: This drawing is the property of AMX, AutoPatch Group. All information contained herein that is not generally known shall be confidential except to the extent the information has been previously established. This drawing may not be copied, reproduced, or used as the basis for manufacture or sale without written permission.

**AMX** AMX, AUTOPATCH GROUP  
2416 CHENEY-SPOKANE RD.  
CHENEY, WA 99004

PICTORIAL, DXLINK MULTIFORMAT HDCP TX

SIZE	SCALE	DWG NO.	REV
B	9:16	95-1010-310	B
FILE	95-1010-310_B.DWG	SHEET	1 OF 1