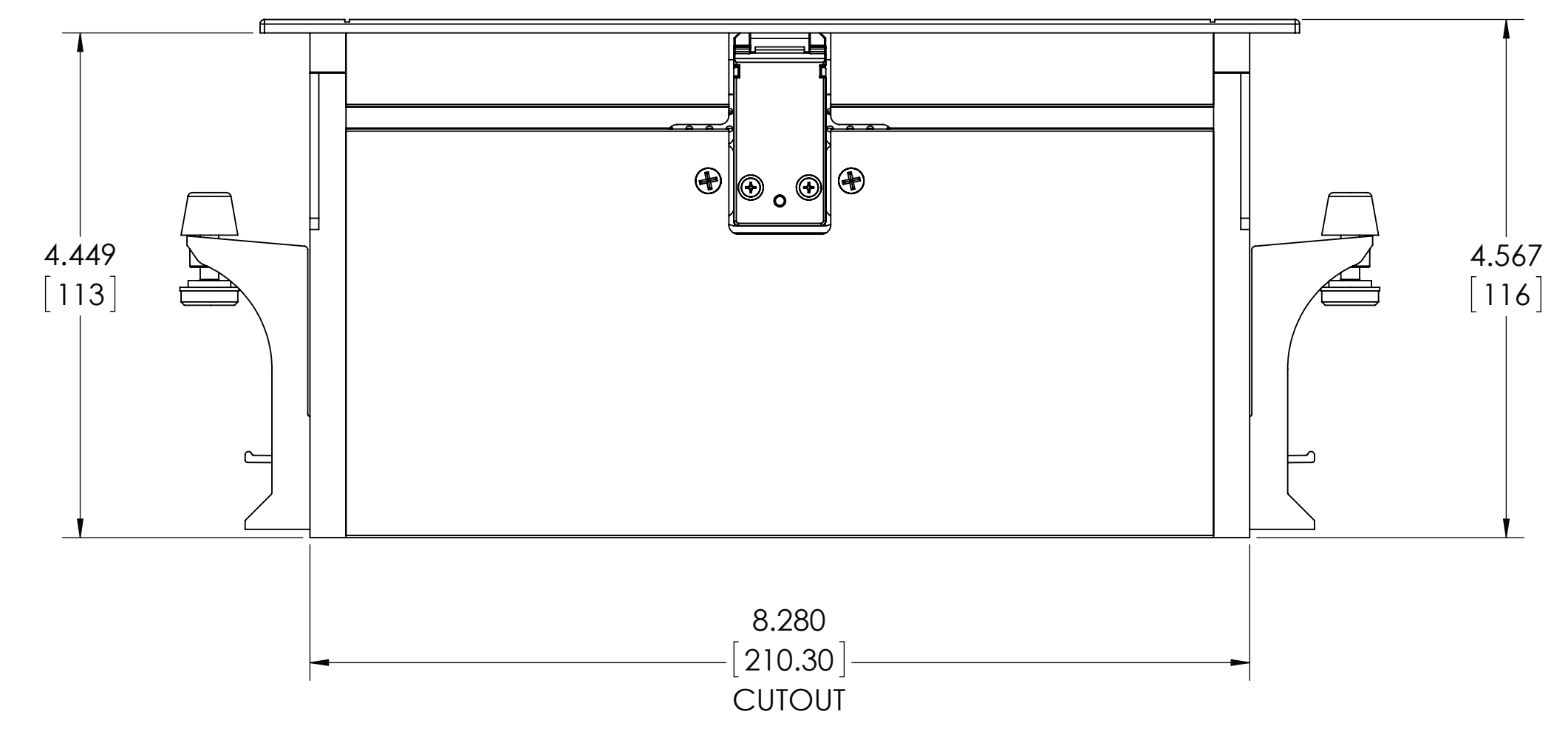
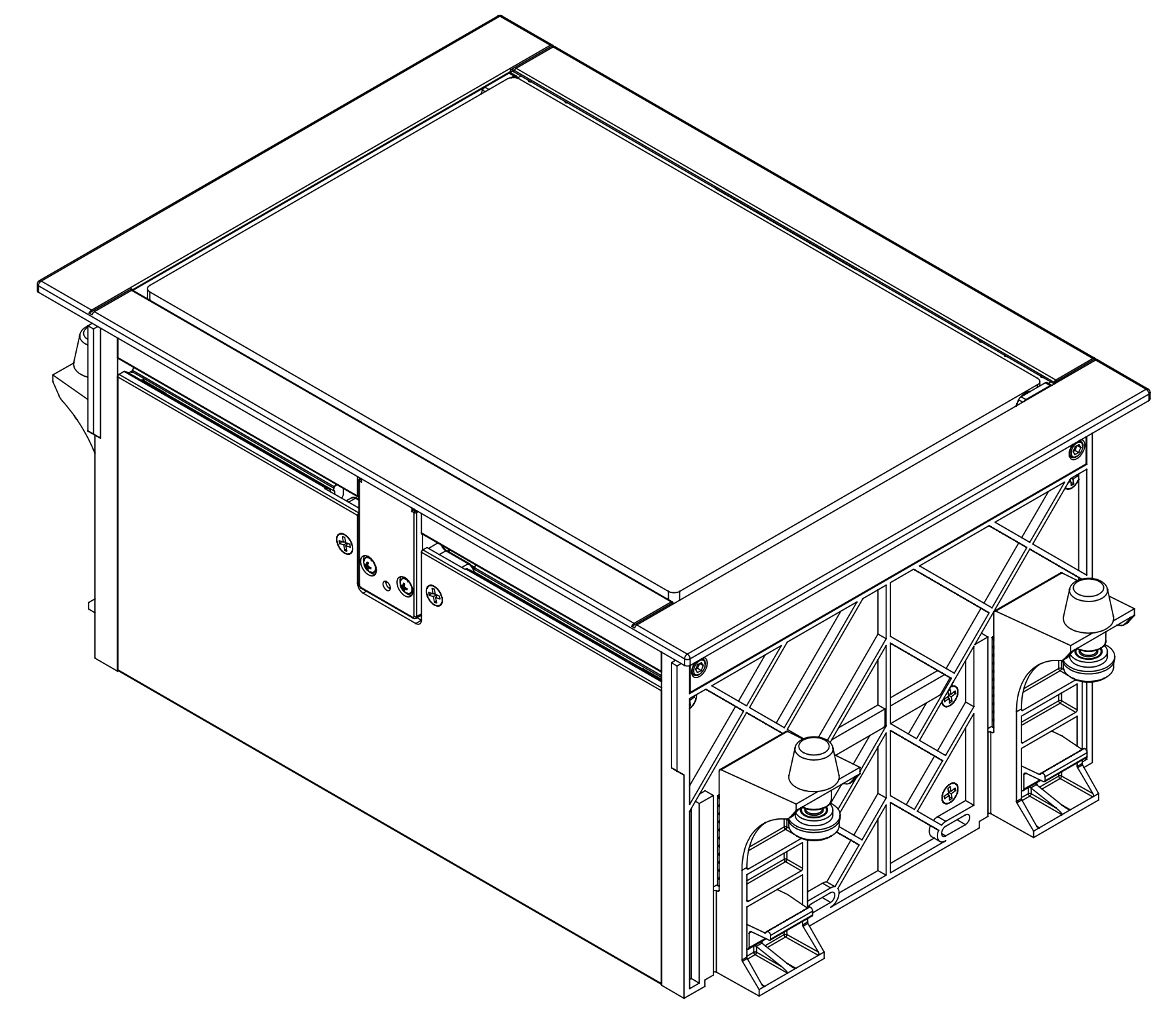
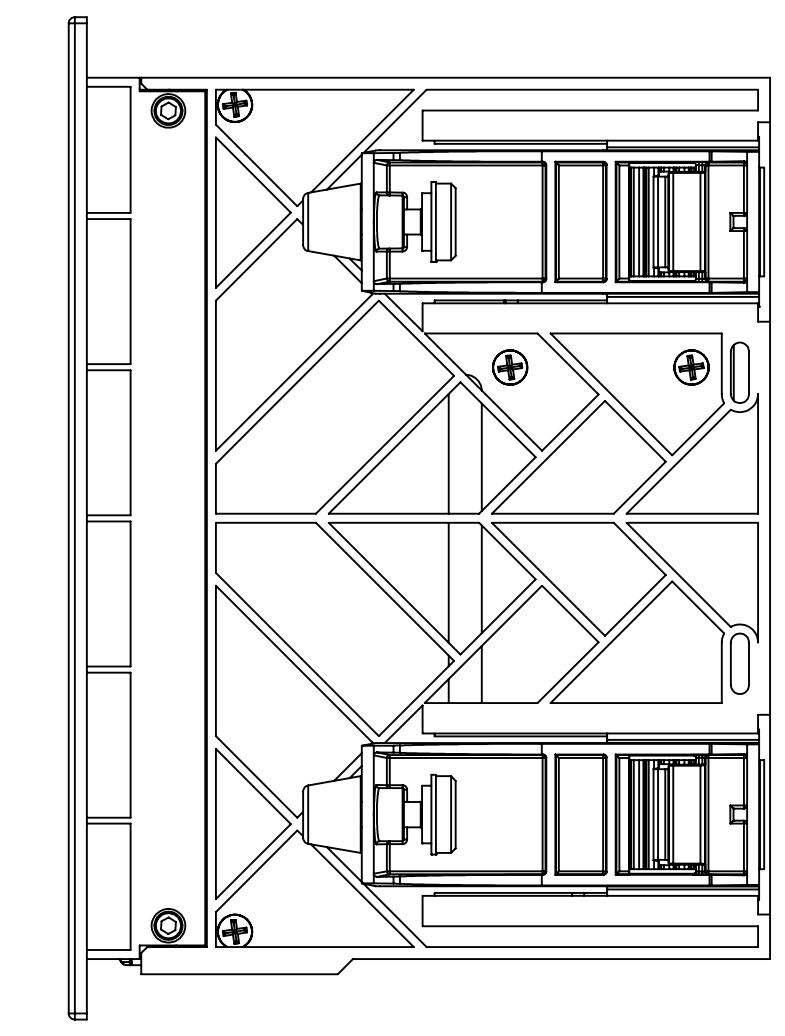
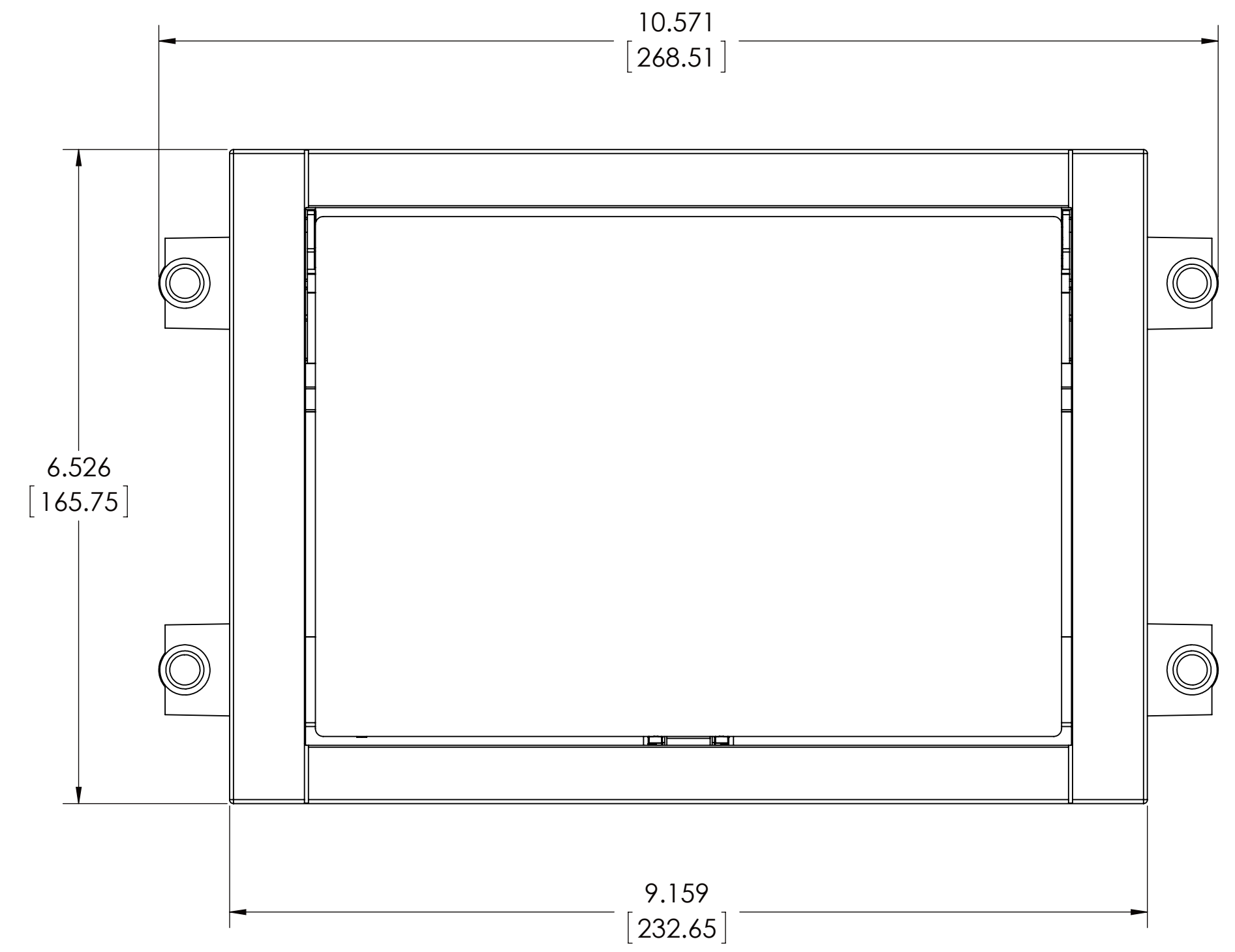
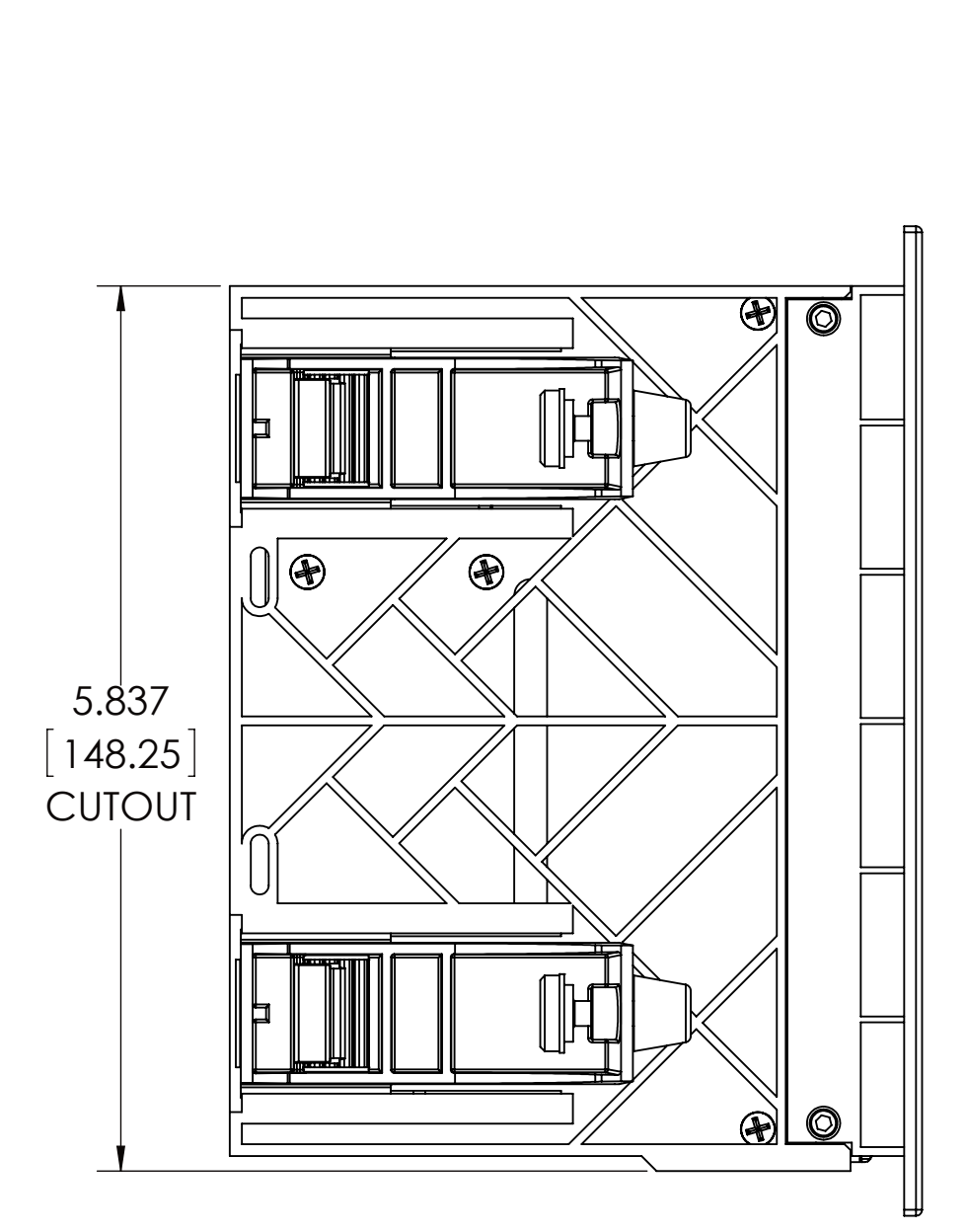


A B C D E F G H

NOTES: UNLESS OTHERWISE SPECIFIED
 1. DIMENSIONS IN [] ARE MILLIMETERS

REVISIONS				
REV	ECN	DESCRIPTION	DATE	APPROVED
A	25138	INITIAL RELEASE	05/08/16	P. LE



UNLESS OTHERWISE STATED, THE ARTICLE SPECIFIED SHALL BE RoHS COMPLIANT PER EU DIRECTIVE 2002/95/EC

NOTICE: This drawing is the property of AMX LLC. All information contained herein that is not generally known shall be confidential except to the extent the information has been previously established. This drawing may not be copied, reproduced, or used as the basis for manufacture or sale without written permission.

UNLESS OTHERWISE SPECIFIED
 TOLERANCE ON DECIMAL DIMENSIONS: .X = ± 0.1
 .XX = ± 0.01
 .XXX = ± 0.005
 ANGLES = ± 0.5°
 SURFACE FLATNESS .003 TIR PER LINEAR INCH
 ALL DIMENSIONS ARE IN INCHES
DO NOT SCALE DRAWING
 THIRD ANGLE PROJECTION

AMX ™		AMX LLC 3000 RESEARCH DRIVE RICHARDSON, TX 75082
HPX-MSP7, HYDRAPROT TOUCH		
SIZE D	DWG. NO. 95-0571-07	REV. A
SCALE 1:1.25	SHEET 1 of 1	

A B C D E F G H