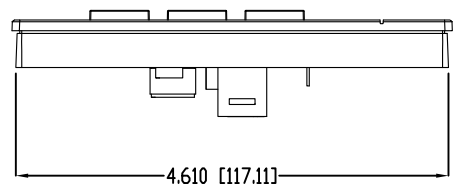
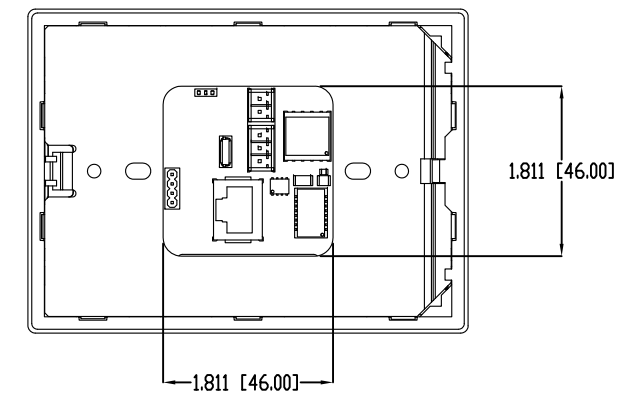
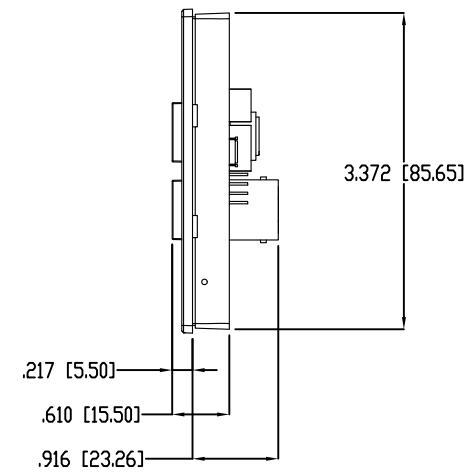
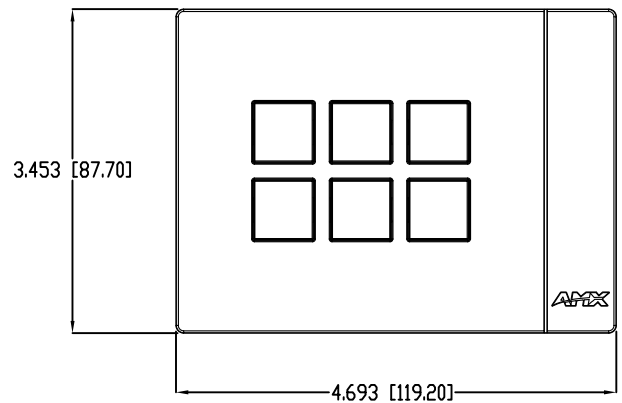
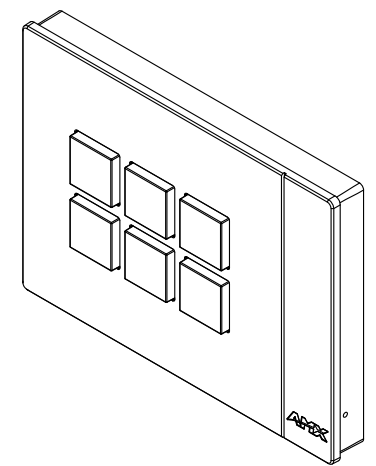
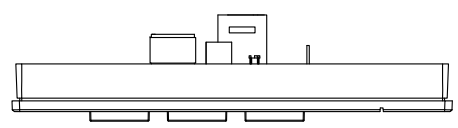


A B C D E F G H

REVISIONS				
REV	ECN	DESCRIPTION	DATE	APPROVED
A	23050	INITIAL RELEASE	12/10/14	P. LE

NOTES, UNLESS OTHERWISE SPECIFIED:
 1. DIMENSIONS IN [] ARE MILLIMETERS



NOTICE: This drawing is the property of AMX LLC. All information contained herein shall be confidential except to the extent the information has been previously established. This drawing may not be copied, reproduced, or used as the basis for manufacture or sale without written permission.

UNLESS OTHERWISE SPECIFIED
 TOLERANCE ON DECIMAL DIMENSIONS: .X = ± 0.1
 .XX = ± 0.01
 .XXX = ± 0.005
 ANGLES: ± 0.5°
 SURFACE FLATNESS .003 TIR PER LINEAR INCH
 ALL DIMENSIONS IN INCHES.
DO NOT SCALE DRAWING
 THIRD ANGLE PROJECTION

AMX™
 AMX LLC
 3000 RESEARCH DRIVE
 RICHARDSON, TX 75082

PICTORIAL DRAWING,
 LANDSCAPE, MASSIO,
 6-BUTTON CONTROL PAD

SIZE D	DWG. NO. 95-2102-06L	REV. A
SCALE 1 / 1	ACAD FILE NO. 95-2102-06L_A	SHEET 1 OF 1

A B C D E F G H