

A

B

C

D

E

F

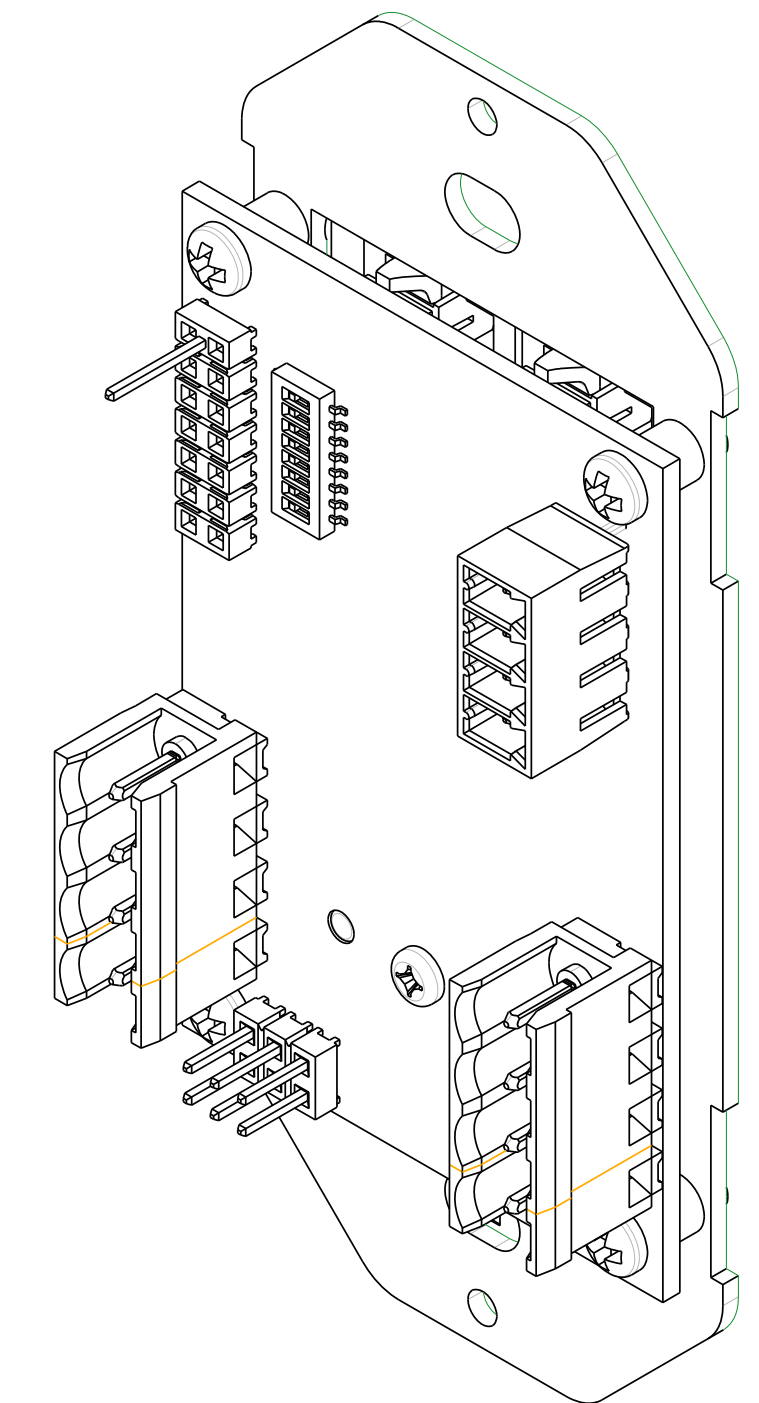
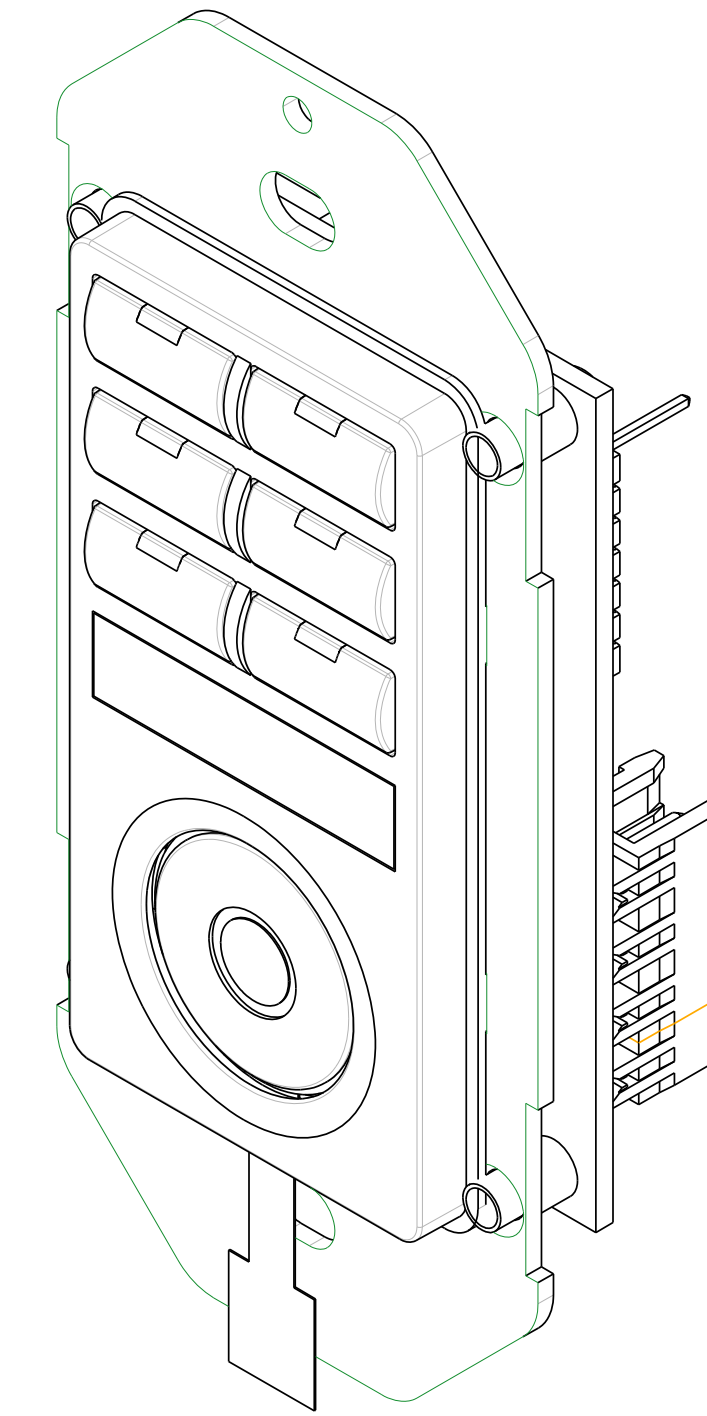
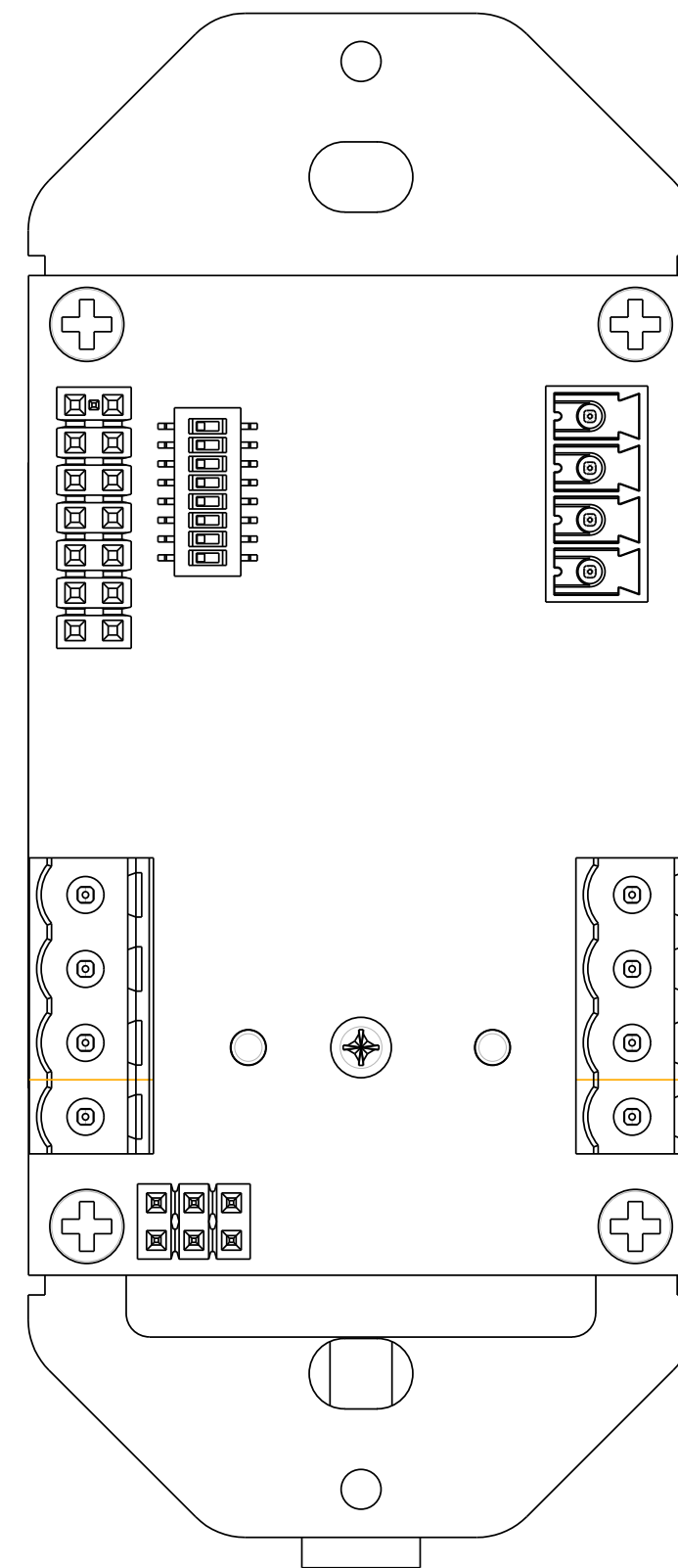
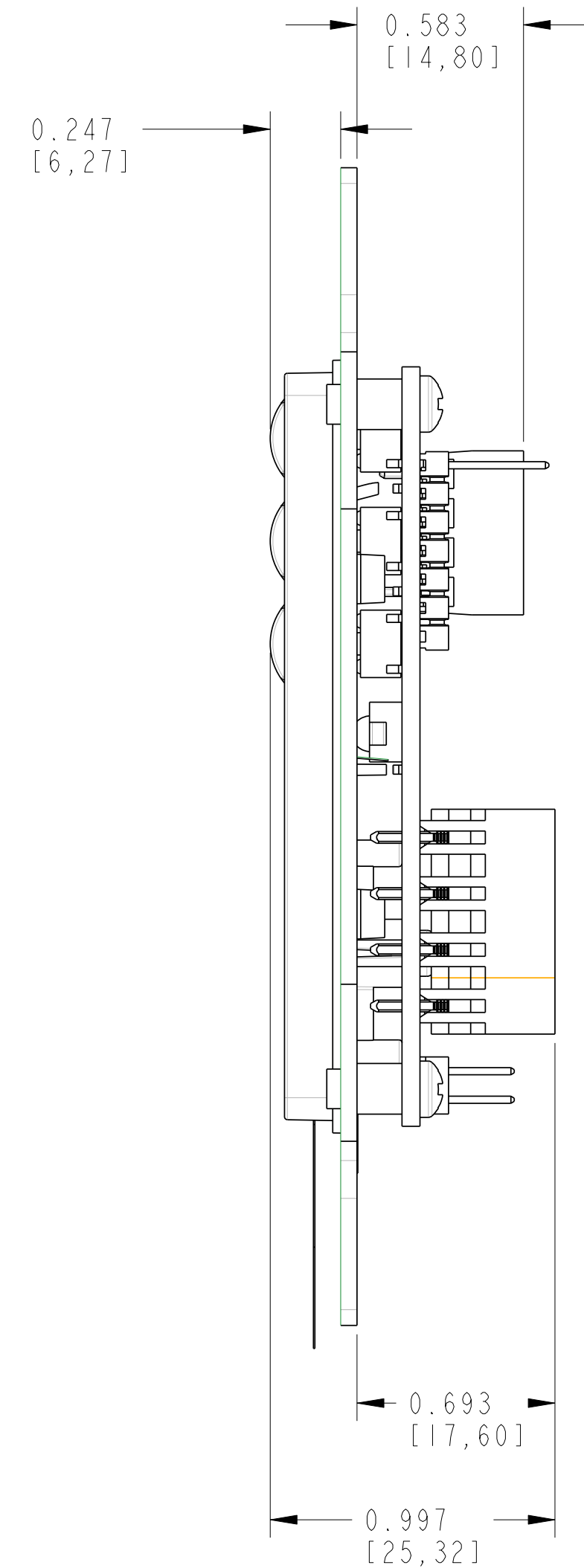
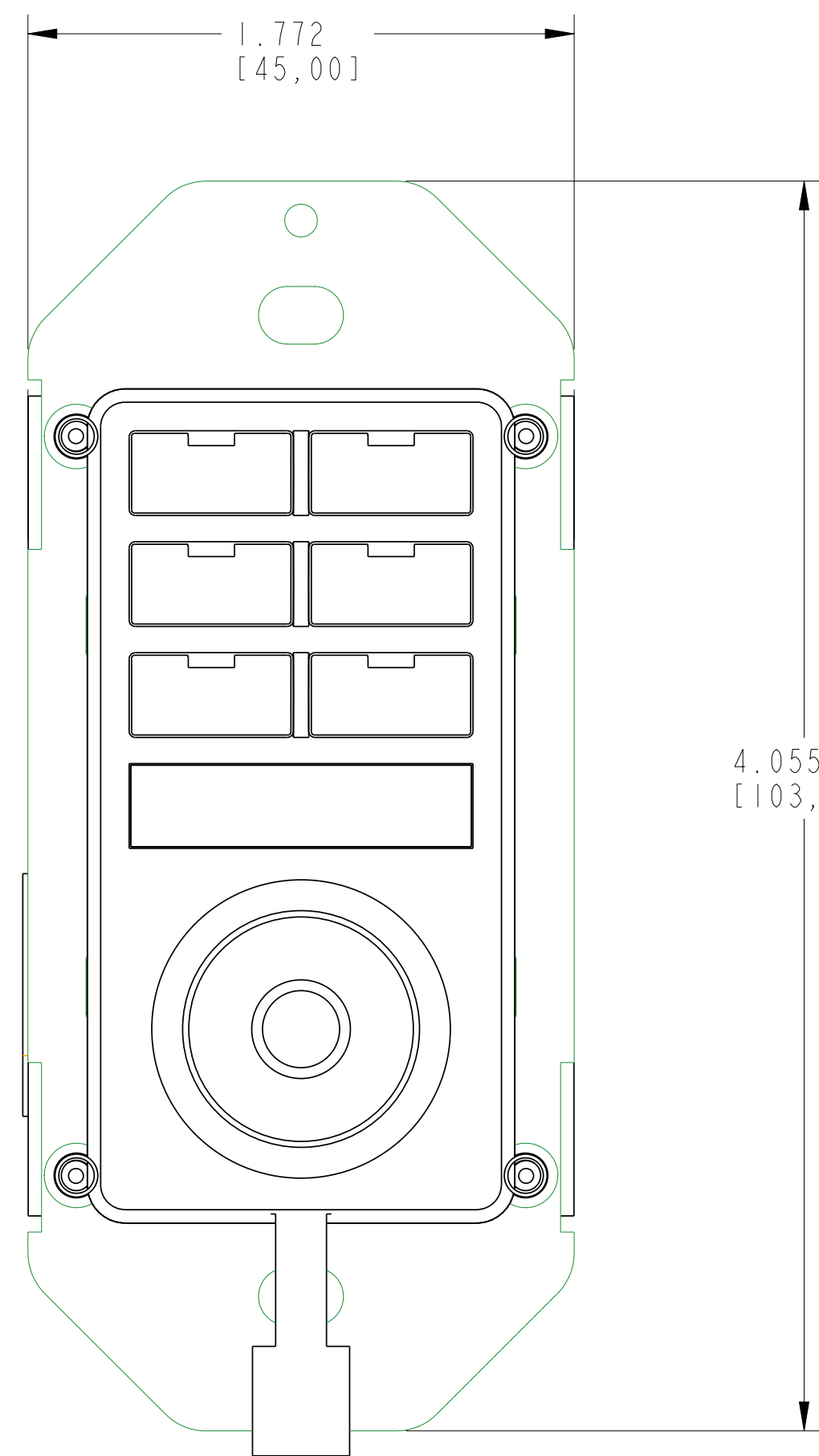
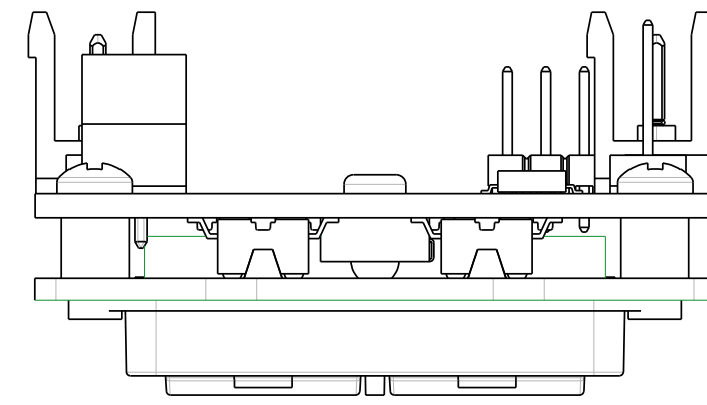
95-5794-01

I

H

NOTES: UNLESS OTHERWISE SPECIFIED  
1. DIMENSIONS IN ( ) ARE IN MILLIMETERS.

REVISIONS				
REV	ECN NUMBER	DESCRIPTION	DATE	APPROVED
A1	11492	DOCUMENT RELEASE	12-07-07	X



UNLESS OTHERWISE STATED, THE ARTICLE SPECIFIED SHALL BE RoHS COMPLIANT PER EU DIRECTIVE 2002/95/EC

REF. PRO/E ASSEM FILE = 95-5794-01

REF. PRO/E ASSEM REV. = A

NOTICE: This drawing is the property of AMX LLC. All information contained herein this is not generally known shall be confidential except to the extent the information had been previously established. This drawings may not be copied, reproduced, or used as the basis for manufacture or sale without written permission.

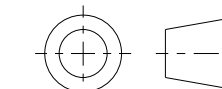
UNLESS OTHERWISE SPECIFIED

TOLERANCE ON DECIMAL DIMENSIONS: .X = ±0.1  
.XX = ±0.02  
.XXX = ±0.010  
ANGLES: ±1.0

SURFACE FLATNESS .003 TIR PER LINEAR INCH

ALL DIMENSIONS IN INCHES.  
DO NOT SCALE DRAWING

THIRD ANGLE PROJECTION



AMX LLC  
3000 RESEARCH DRIVE  
RICHARDSON, TX 75082

PICTORIAL DRAWING,  
6-BTN NAV  
KEYPAD

SIZE D	DRAWING NUMBER 95-5794-01	REV A 1
SCALE 2:1	SHEET 1 OF 1	