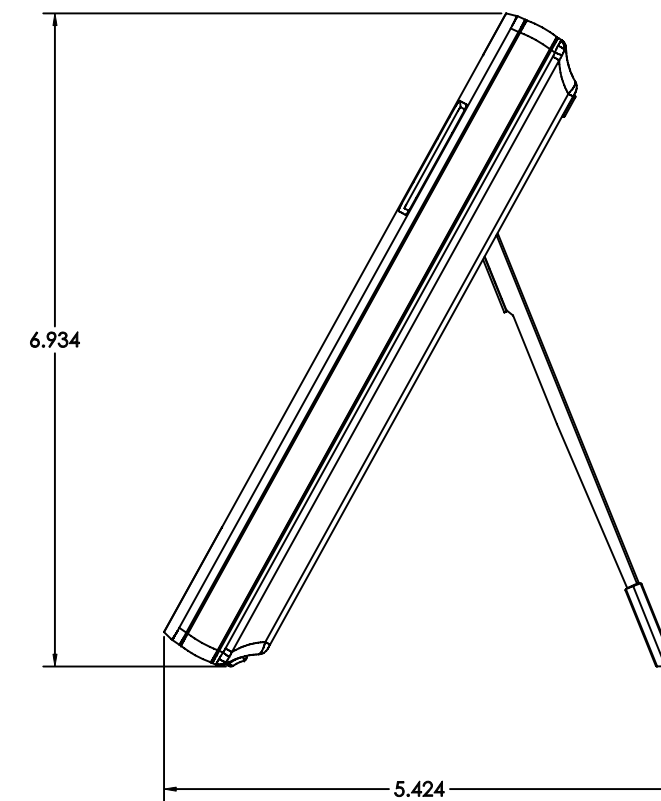
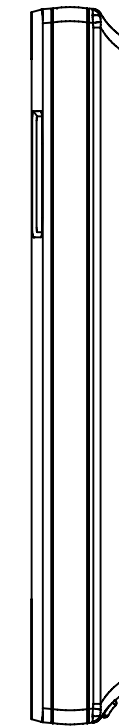
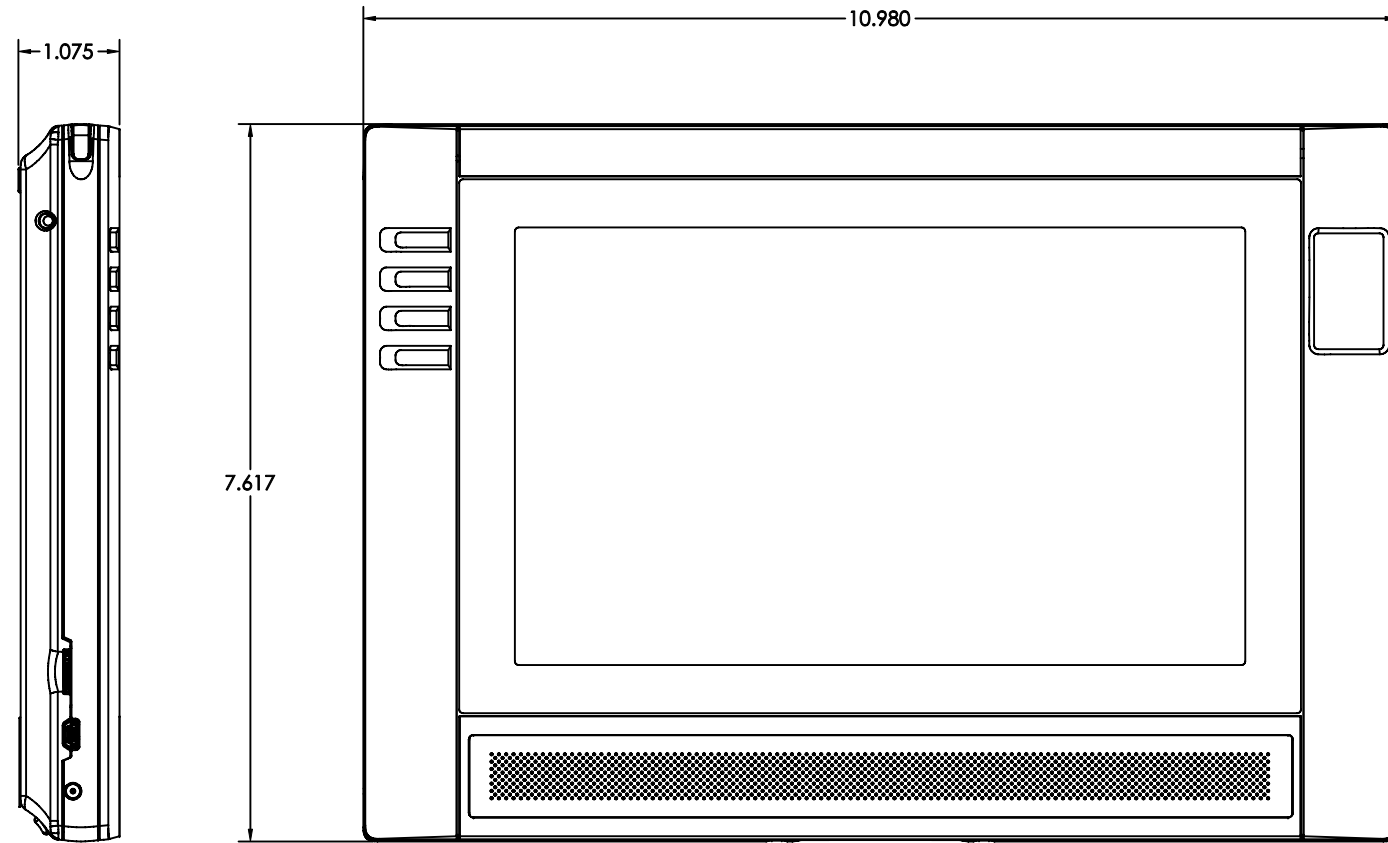
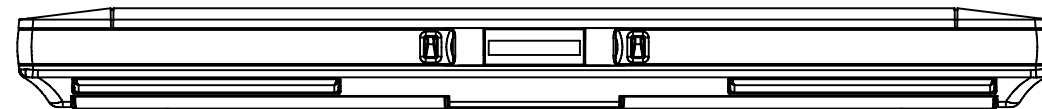


REVISIONS				
REV	ECN	DESCRIPTION	DATE	APPROVED
A	16196	INITIAL RELEASE	7-19-2010	J. REAGAN



SHOWN WITH KICKSTAND
DEPLOYED



NOTICE: This drawing is the property of AMX LLC. All information contained herein that is not generally known shall be confidential except to the extent the information has been previously established. This drawing may not be copied, reproduced, or used as the basis for manufacture or sale without written permission.

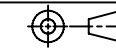
UNLESS OTHERWISE SPECIFIED

TOLERANCE ON DECIMAL DIMENSIONS: .X = ± 0.1
.XX = ± 0.01
.XXX = ± 0.005
ANGLES: ± 0.5°

SURFACE FLATNESS .003 TIR PER LINEAR INCH
ALL DIMENSIONS IN INCHES.

DO NOT SCALE DRAWING

THIRD ANGLE
PROJECTION



AMX LLC
3000 RESEARCH DRIVE
RICHARDSON, TX 75082

PICTORIAL DRAWING,
MVP-9000i

SIZE D	DWG. NO. 95-5967-01	REV. A
SCALE 1:1	ACAD FILE NO. 95-5967-01	SHEET 1 OF 1