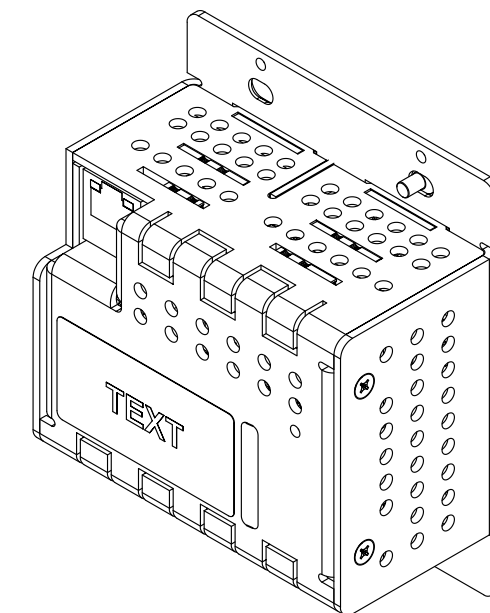
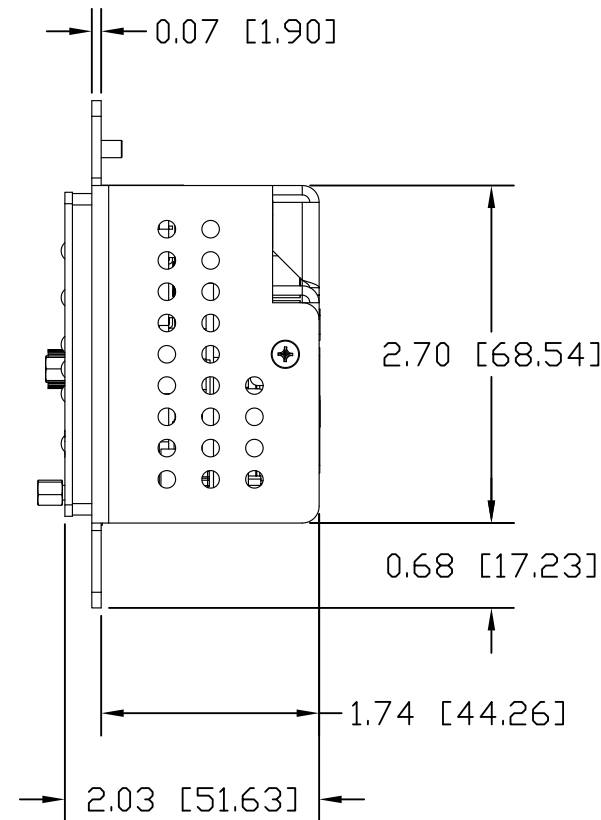
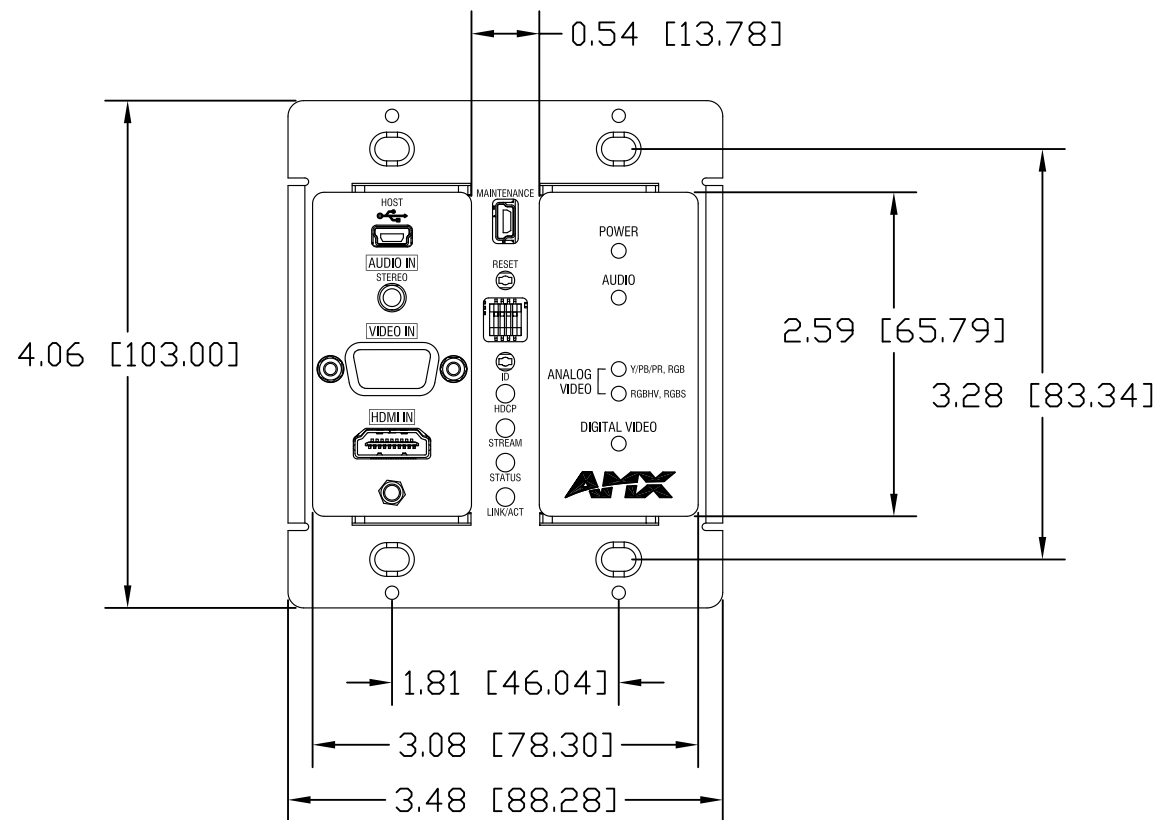
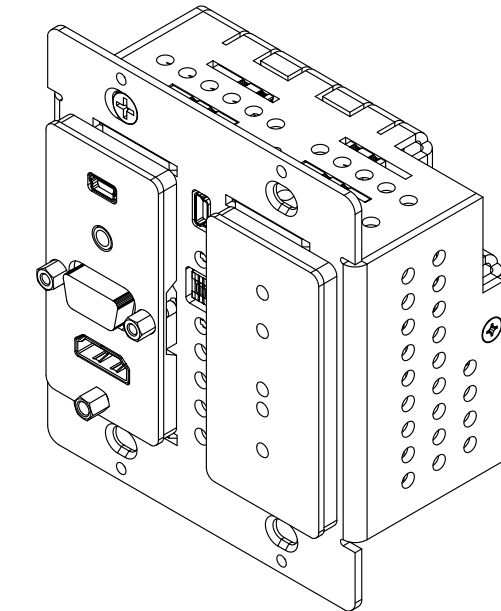
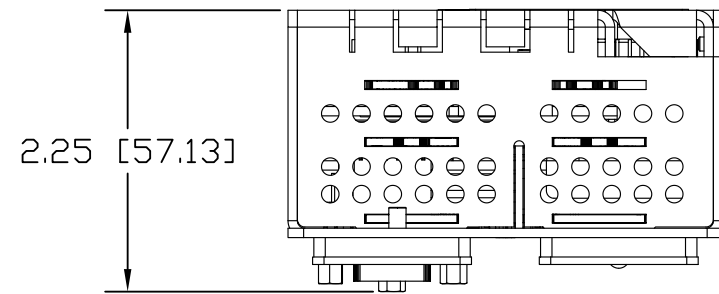


NOTES, UNLESS OTHERWISE SPECIFIED:

1. ALL DIMENSIONS IN [ ] ARE MILLIMETERS.

REVISIONS				
REV	ECN	DESCRIPTION	DATE	APPROVED
A	25277	RELEASE TO PRODUCTION	06/21/16	J.LUTHER



NOTICE: This drawing is the property of AMX LLC. All information contained herein that is not generally known shall be confidential except to the extent the information has been previously established. This drawing may not be copied, reproduced, or used as the basis for manufacture or sale without written permission.

**UNLESS OTHERWISE SPECIFIED**  
 TOLERANCE ON DECIMAL DIMENSIONS: .X = ± 0.1  
 .XX = ± 0.01  
 .XXX = ± 0.005  
 ANGLES: ± 0.5°  
 SURFACE FLATNESS .003 TIR PER LINEAR INCH  
 ALL DIMENSIONS IN INCHES.  
**DO NOT SCALE DRAWING**  
 THIRD ANGLE PROJECTION

		AMX LLC 3000 RESEARCH DRIVE RICHARDSON, TX 75082		
		PICTORIAL, ENCODER, MIN COMP, 1080P60		
SIZE D	DWG. NO. 95-1115-01	SCALE 1/1	ACAD FILE NO.	REV. A
SHEET 1 OF 1			SHEET 1 OF 1	