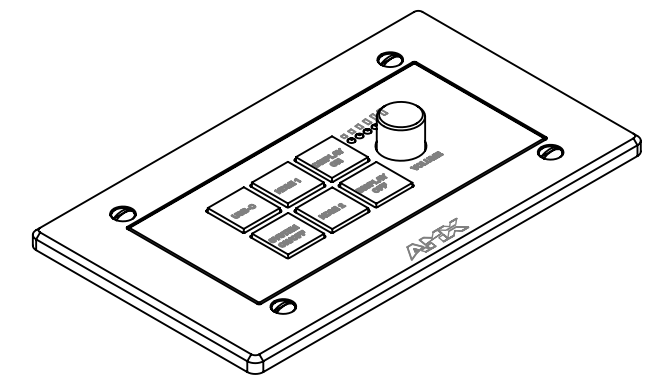
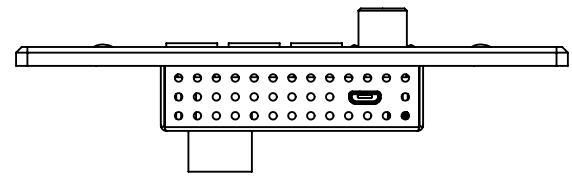
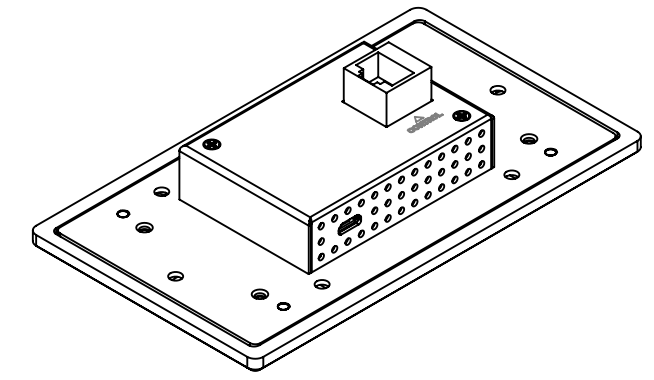
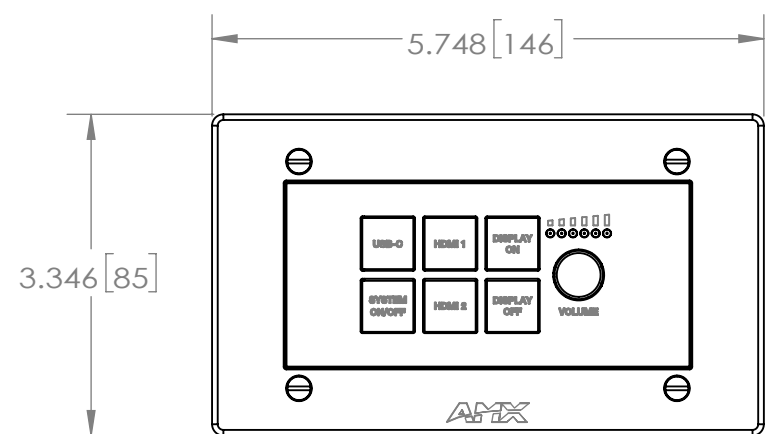
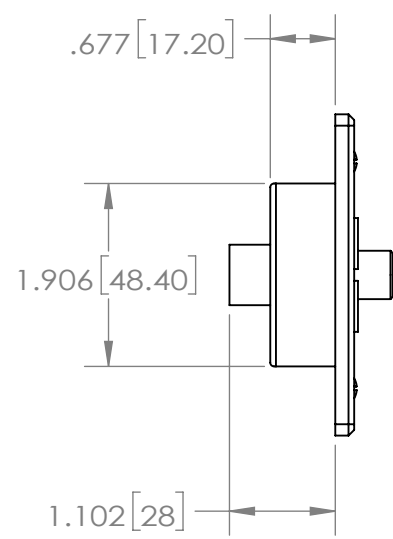
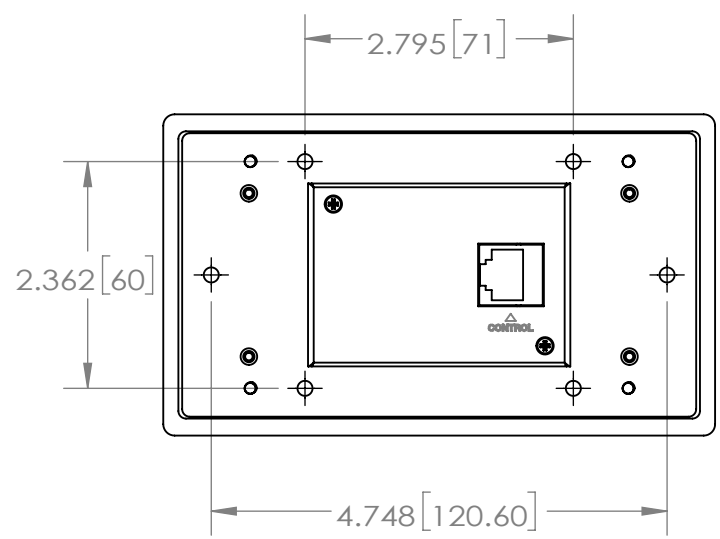
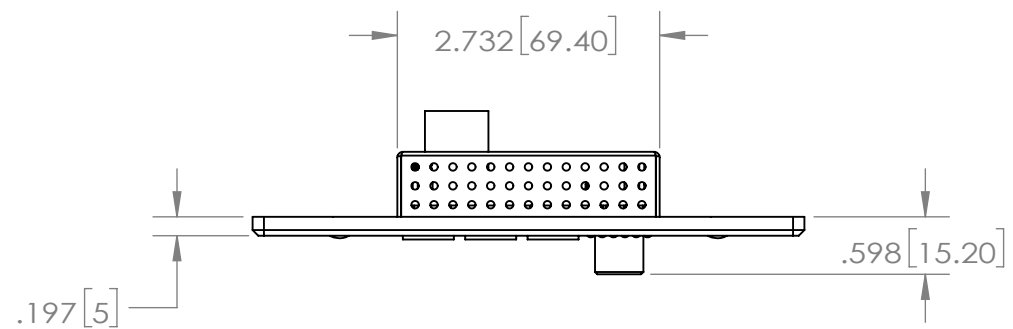


REVISION HISTORY			
DATE	REV.	DESCRIPTION	BY
2022/10/19	B	Update to Harman DWG format	PXiong



NOTES:
 1. Unit: inch [mm]
 2. Detailed dimensions refer to DWG/DXF files.

<small>2022 © HARMAN INTERNATIONAL INDUSTRIES, INCORPORATED. ALL RIGHTS RESERVED. DO NOT USE, DISCLOSE, SELL, REPRODUCE, PUBLISH OR MODIFY WITHOUT AUTHORIZED WRITTEN HARMAN PERMISSION.</small>		THIRD ANGLE PROJECTION		<h1>HARMAN</h1>	
ROHS <small>RESTRICTION OF HAZARDOUS SUBSTANCES ALL MATERIALS USED IN THIS PART MUST BE ROHS COMPLIANT SUPPLIER SHALL PROVIDE A CERTIFICATE OF ROHS COMPLIANCE WITH THE FIRST ARTICLE.</small>		<small>DIMENSIONS SHOWN ARE FOR REFERENCE AND INSPECTION ONLY. REFER TO CAD MODEL PROVIDED WITH THIS DRAWING FOR OVERALL DEFINITION OF PART GEOMETRY.</small>			
DRAWN BY PXiong		DATE 2022/10/18		NO. AMX-VTK0001EK	
DESIGNED BY PXiong		DATE 2022/10/18		REV B	
PROJECT MANAGER/ENGINEER		SIZE B		SCALE 1:2	
		DO NOT SCALE DRAWING		SHEET OF	