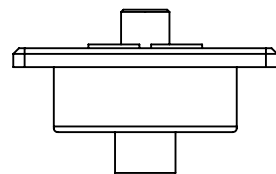
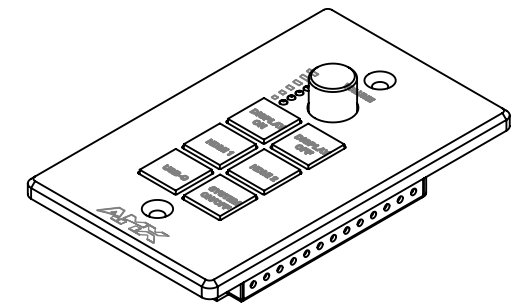
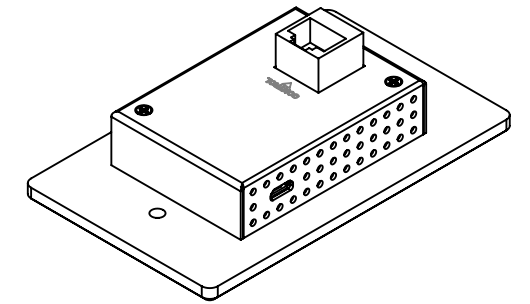
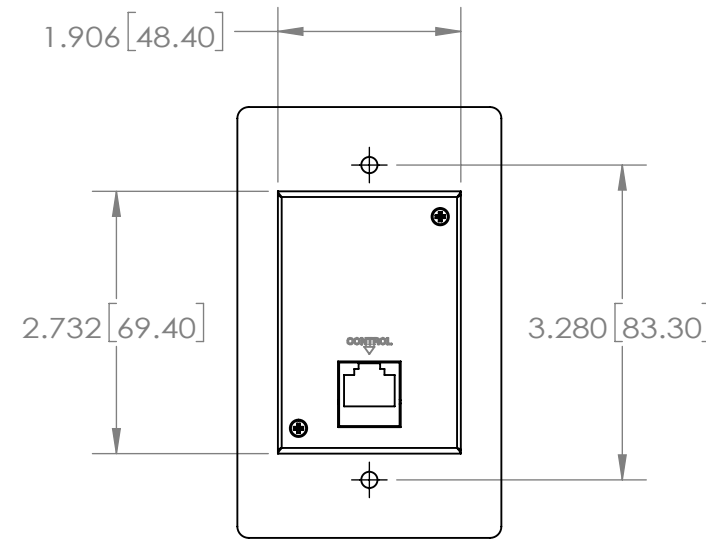
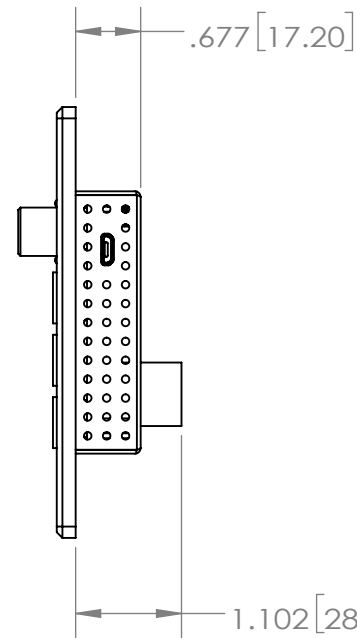
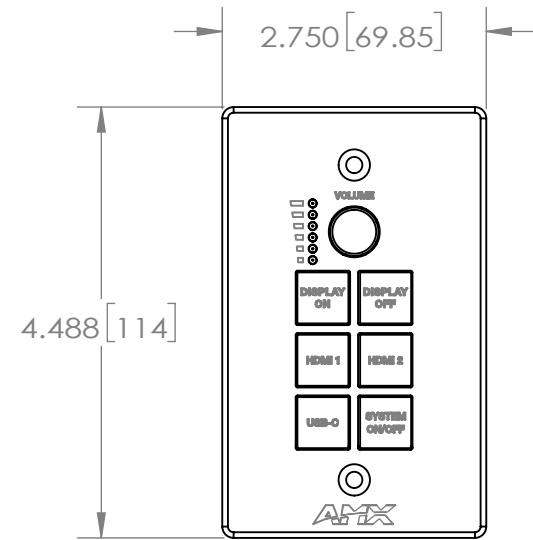
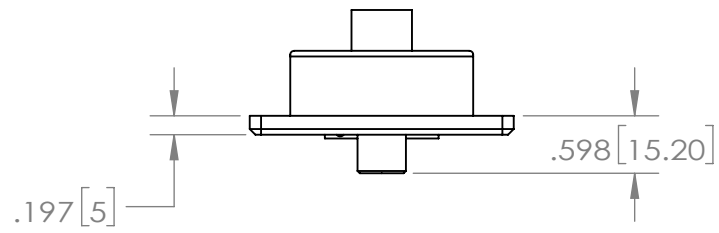


| REVISION HISTORY |      |                             |        |
|------------------|------|-----------------------------|--------|
| DATE             | REV. | DESCRIPTION                 | BY     |
| 2022/10/19       | B    | Update to Harman DWG format | PXiong |



NOTES:  
 1. Unit: inch [mm]  
 2. Detailed dimensions refer to DWG/DXF files.

|  |  |   |  |                                   |  |
|--|--|---|--|-----------------------------------|--|
| <small>2022 © HARMAN INTERNATIONAL INDUSTRIES, INCORPORATED. ALL RIGHTS RESERVED. DO NOT USE, DISCLOSE, SELL, REPRODUCE, PUBLISH OR MODIFY WITHOUT AUTHORIZED WRITTEN HARMAN PERMISSION.</small>         |  | <b>THIRD ANGLE PROJECTION</b>           |  | <h1>HARMAN</h1>                   |  |
| <b>ROHS</b><br><small>RESTRICTION OF HAZARDOUS SUBSTANCES ALL MATERIALS USED IN THIS PART MUST BE ROHS COMPLIANT SUPPLIER SHALL PROVIDE A CERTIFICATE OF ROHS COMPLIANCE WITH THE FIRST ARTICLE.</small> |  | <small>DRAWN BY</small><br>PXiong       |  |                                   |  |
| <small>DIMENSIONS SHOWN ARE FOR REFERENCE AND INSPECTION ONLY. REFER TO CAD MODEL PROVIDED WITH THIS DRAWING FOR OVERALL DEFINITION OF PART GEOMETRY.</small>  |  | <small>DESIGNED BY</small><br>PXiong    |  | <small>DATE</small><br>2022/10/18 | <small>NO.</small><br><b>AMX-VTK0001</b> |
|  |  | <small>PROJECT MANAGER/ENGINEER</small> |  | <small>SCALE</small><br>1:2       | <small>DO NOT SCALE DRAWING</small>      |
|  |  |   |  | <small>SIZE</small><br>B          | <small>SHEET OF</small><br>B             |