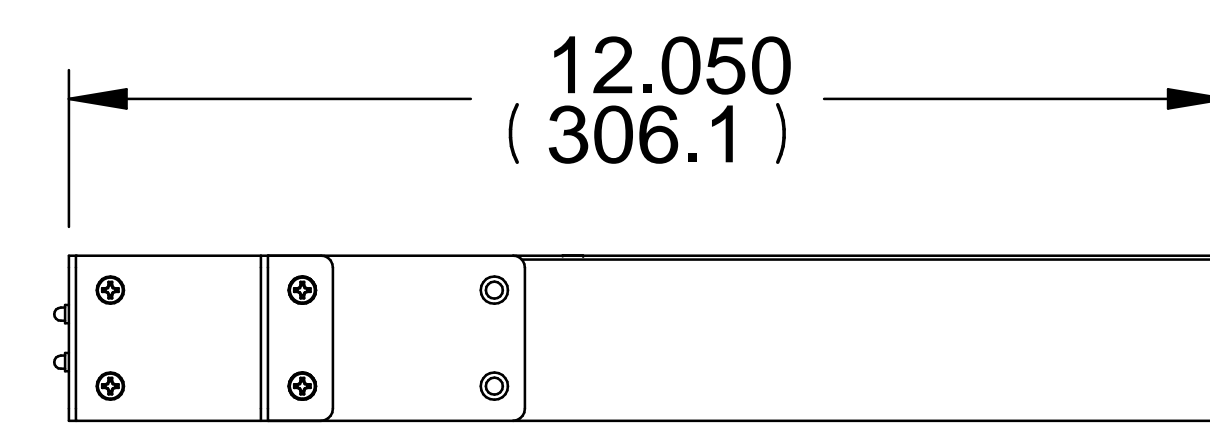
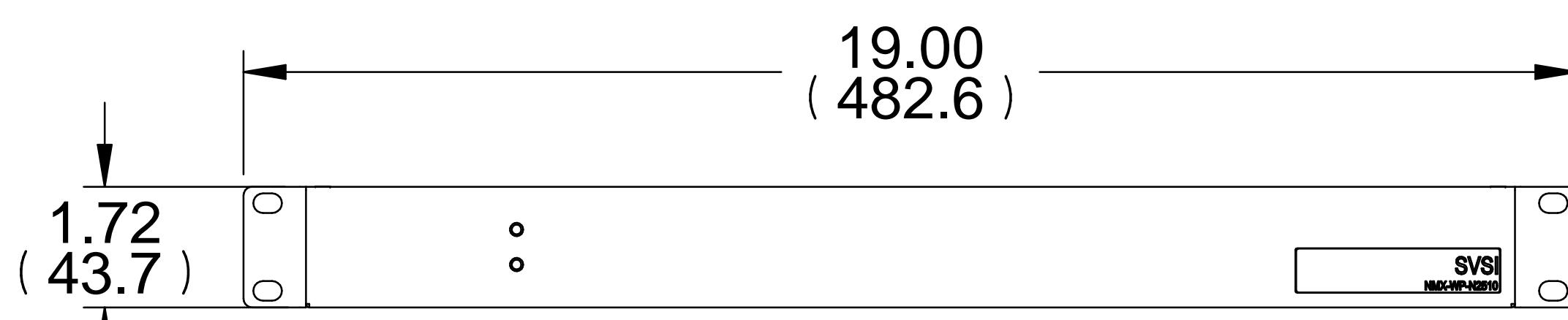
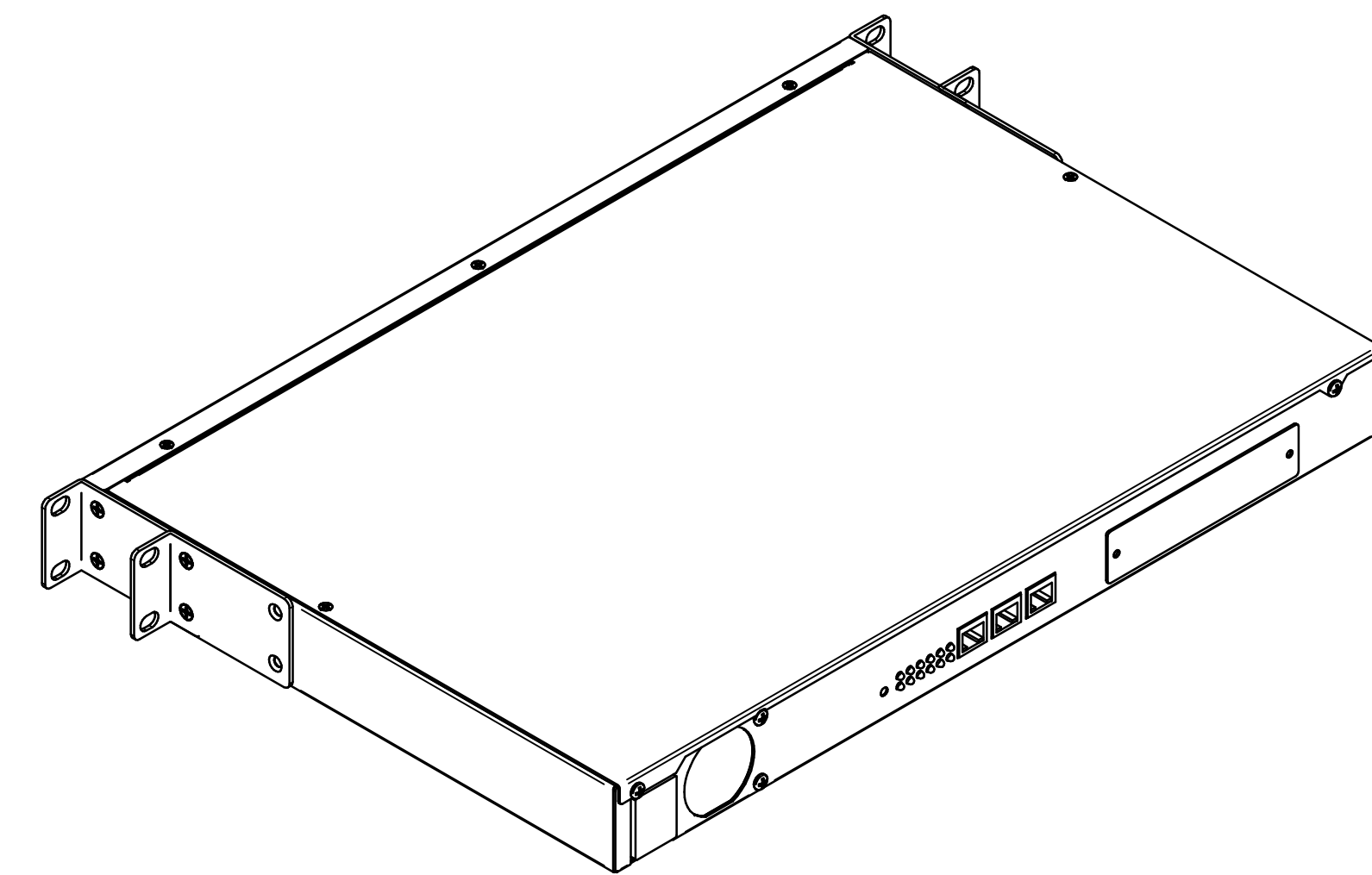
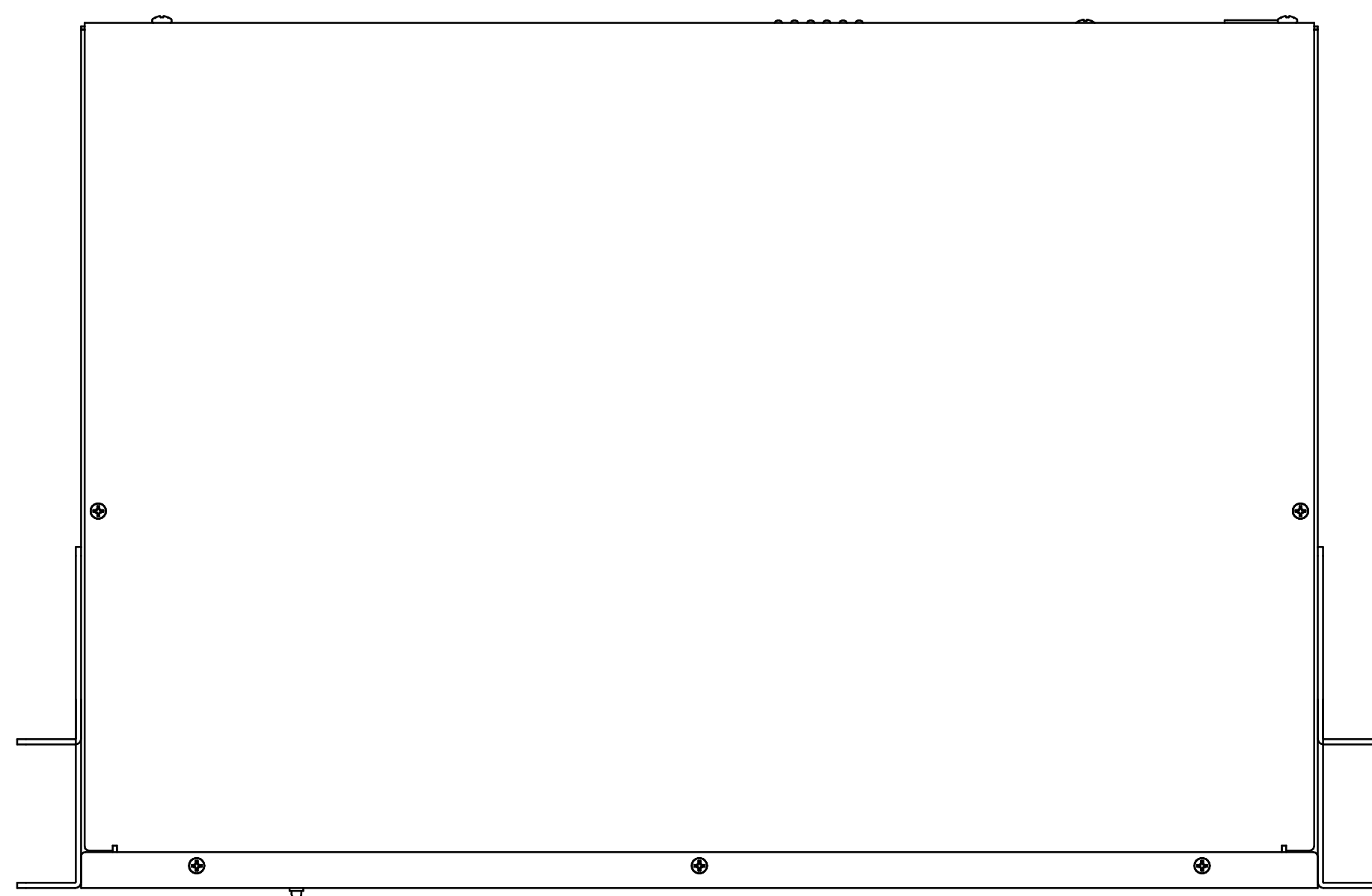
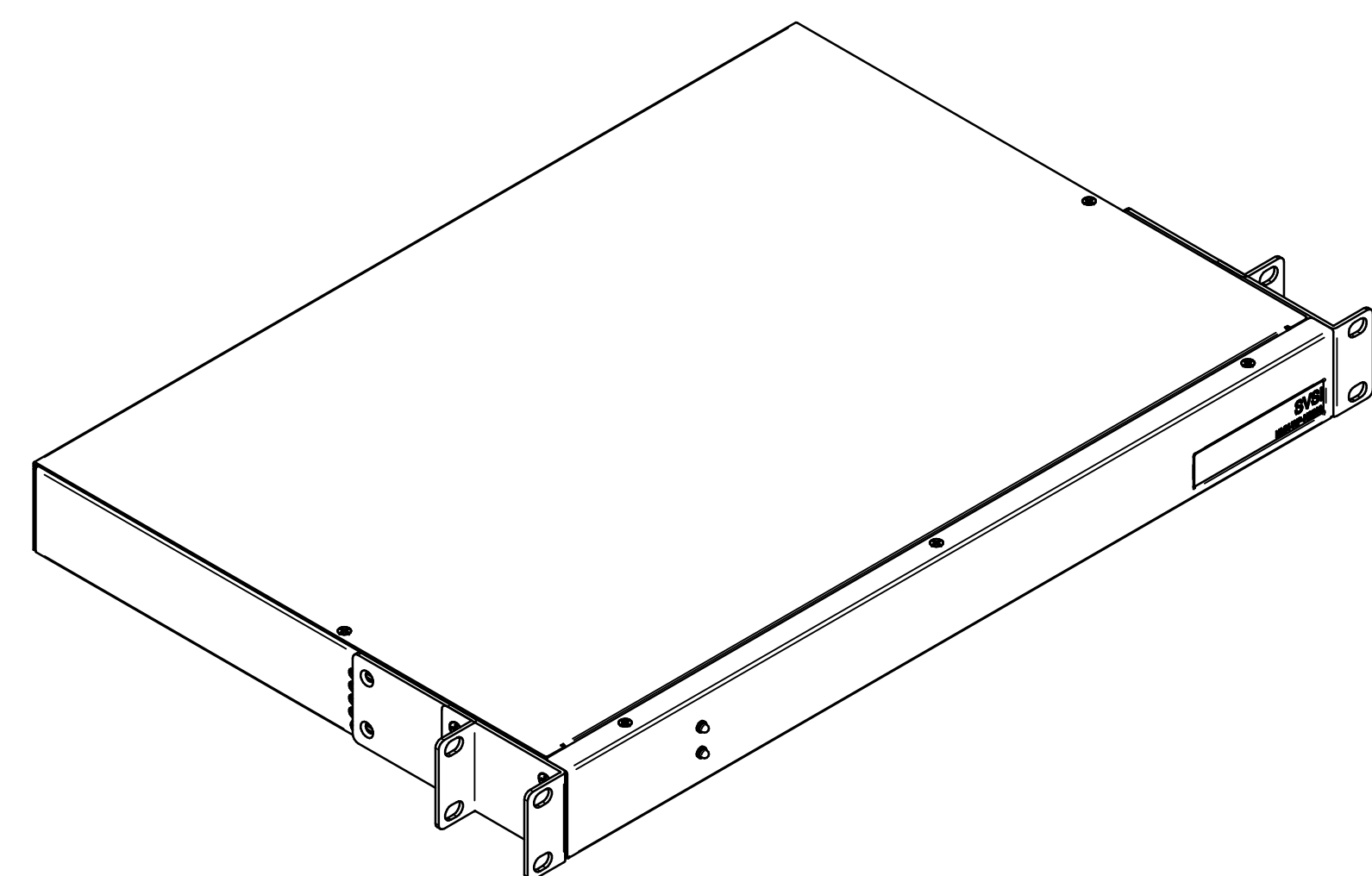
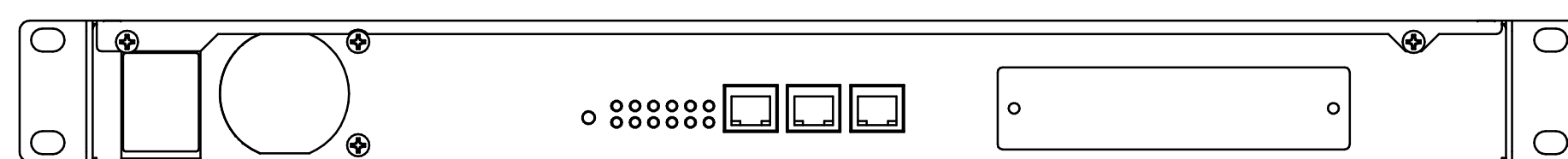


REVISION HISTORY			
DATE	REV	ECO #	COMMENT
07/13/16	@A	N/A	ORIGINAL REVISION



FRONT VIEW



BACK VIEW

ITEM:	PART NO.	DESCRIPTION
TOLERANCE (EXCEPT AS NOTED) 2 PLACES DECIMALS ±.020	(EXCEPT AS NOTED) 3 PLACES DECIMALS ±.010	AMX VWP WINDOWING PROCESSOR
MTL:	N/A	DRN: _____ ENG: _____
FINISH:	N/A	CHK: _____ ENG: _____
NEXT ASSY:		TITLE: PICTORIALVIEWS
SCALE: 1:1	SIZE: D	DWG NO: VWP WINDOWING PROCESSOR SHEET 1 OF 1 FILE NO: