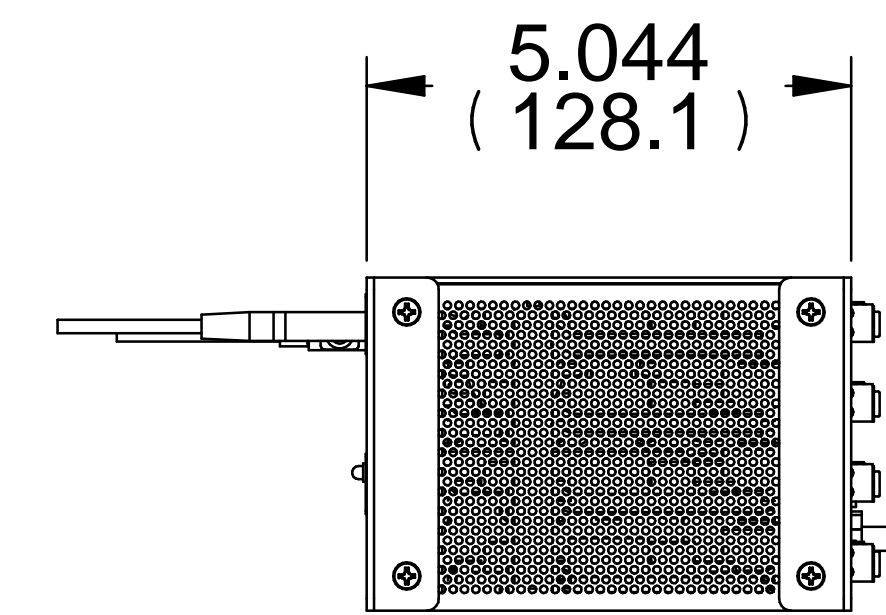
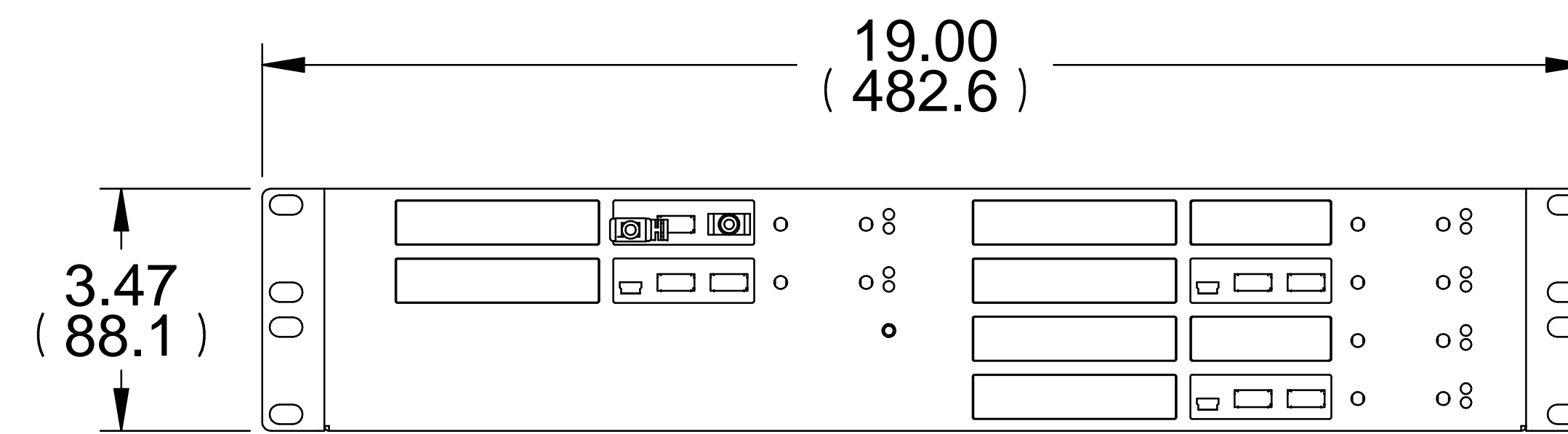
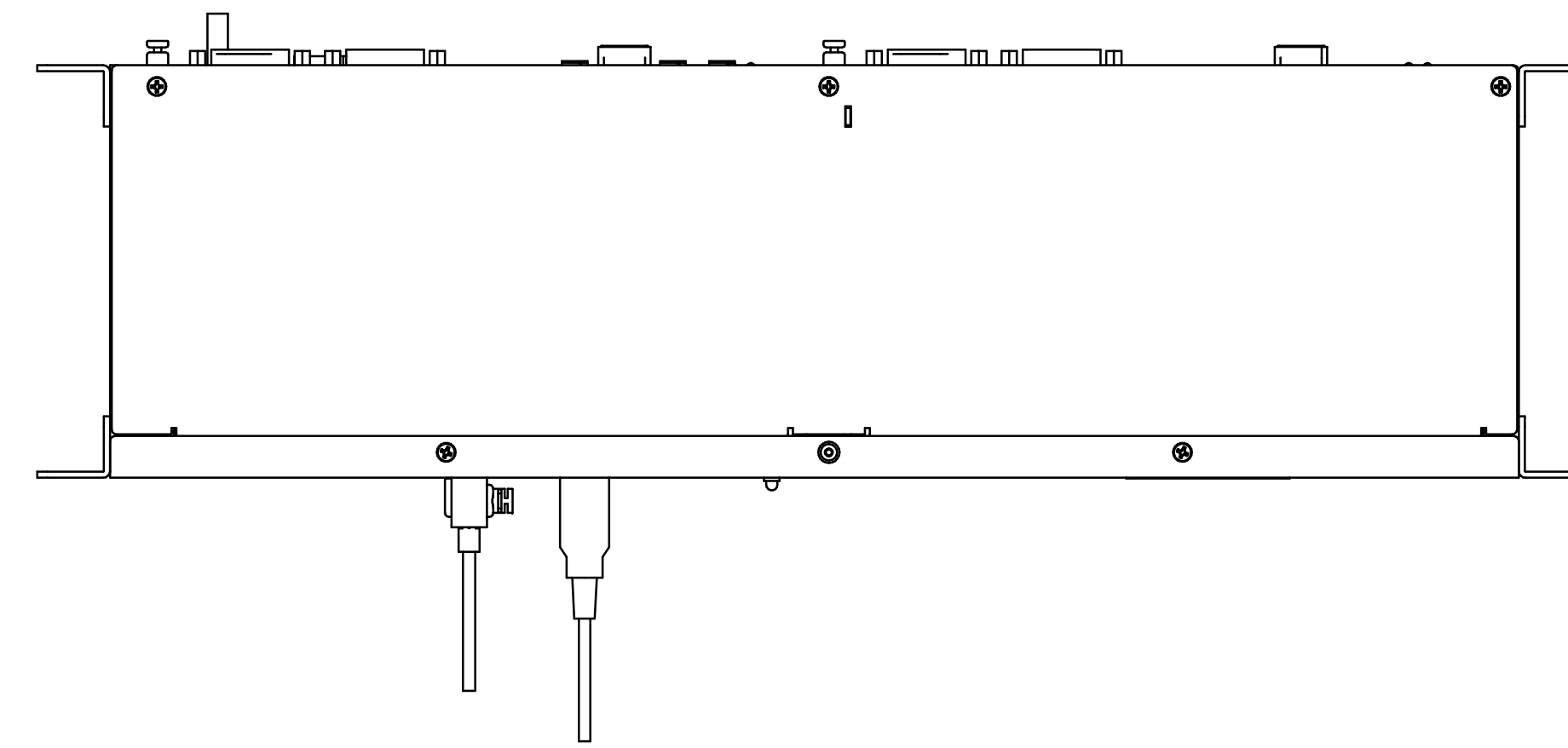
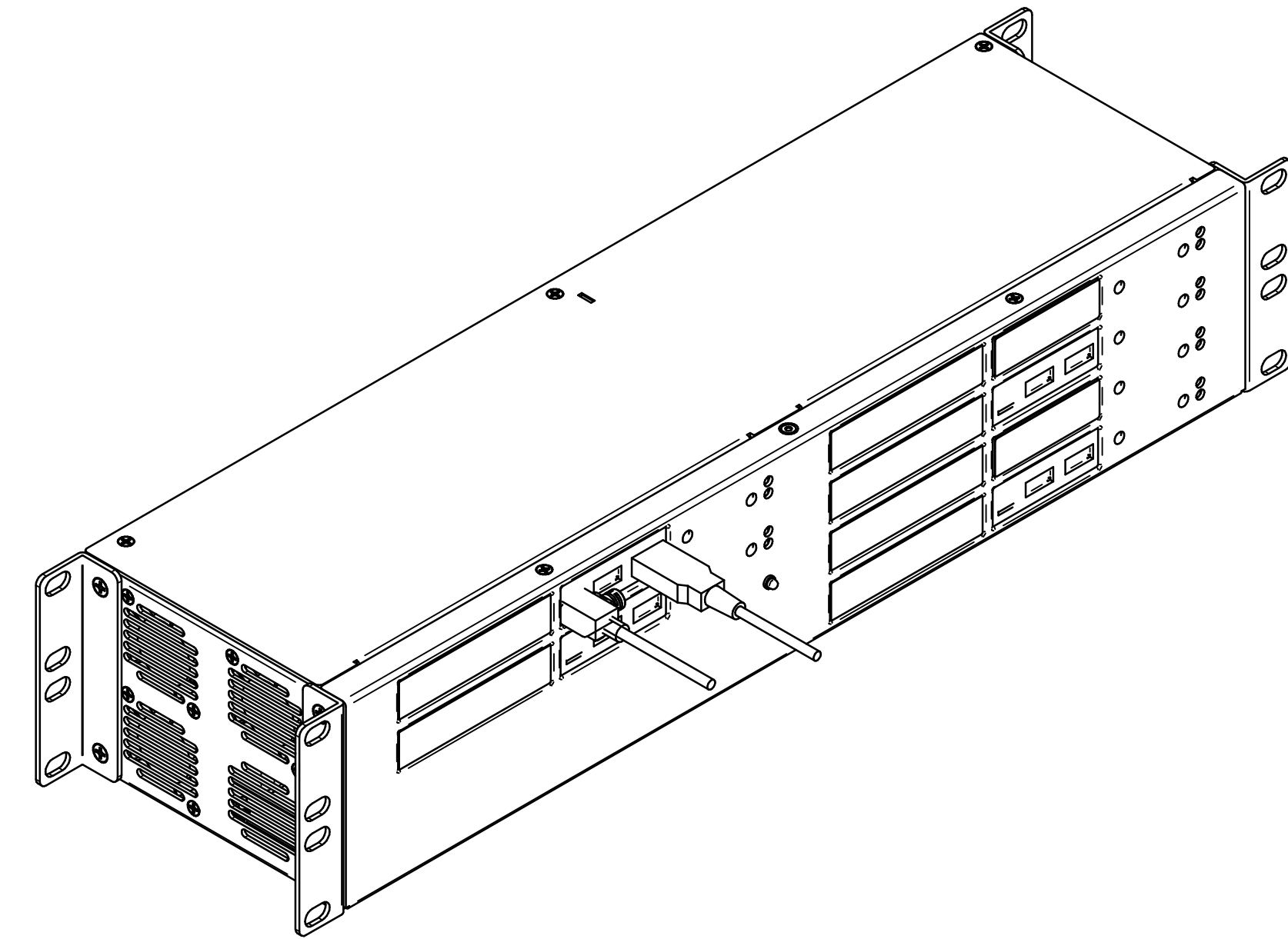
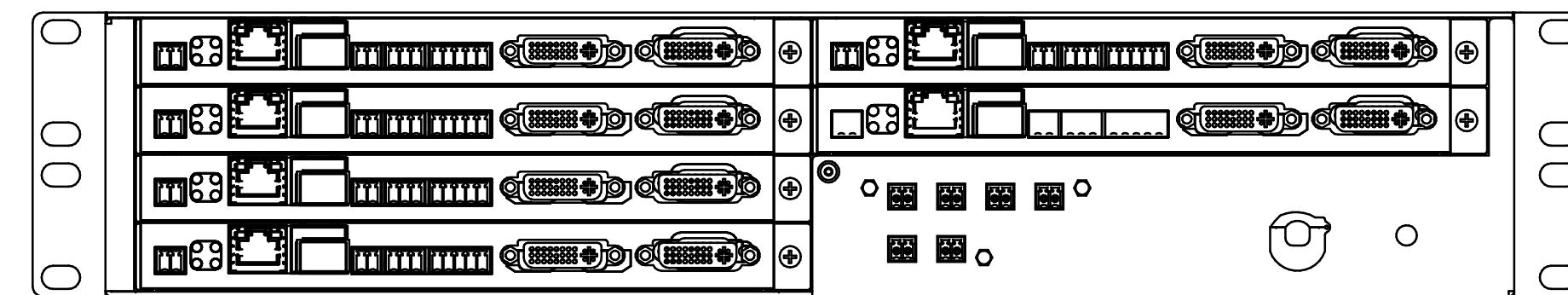
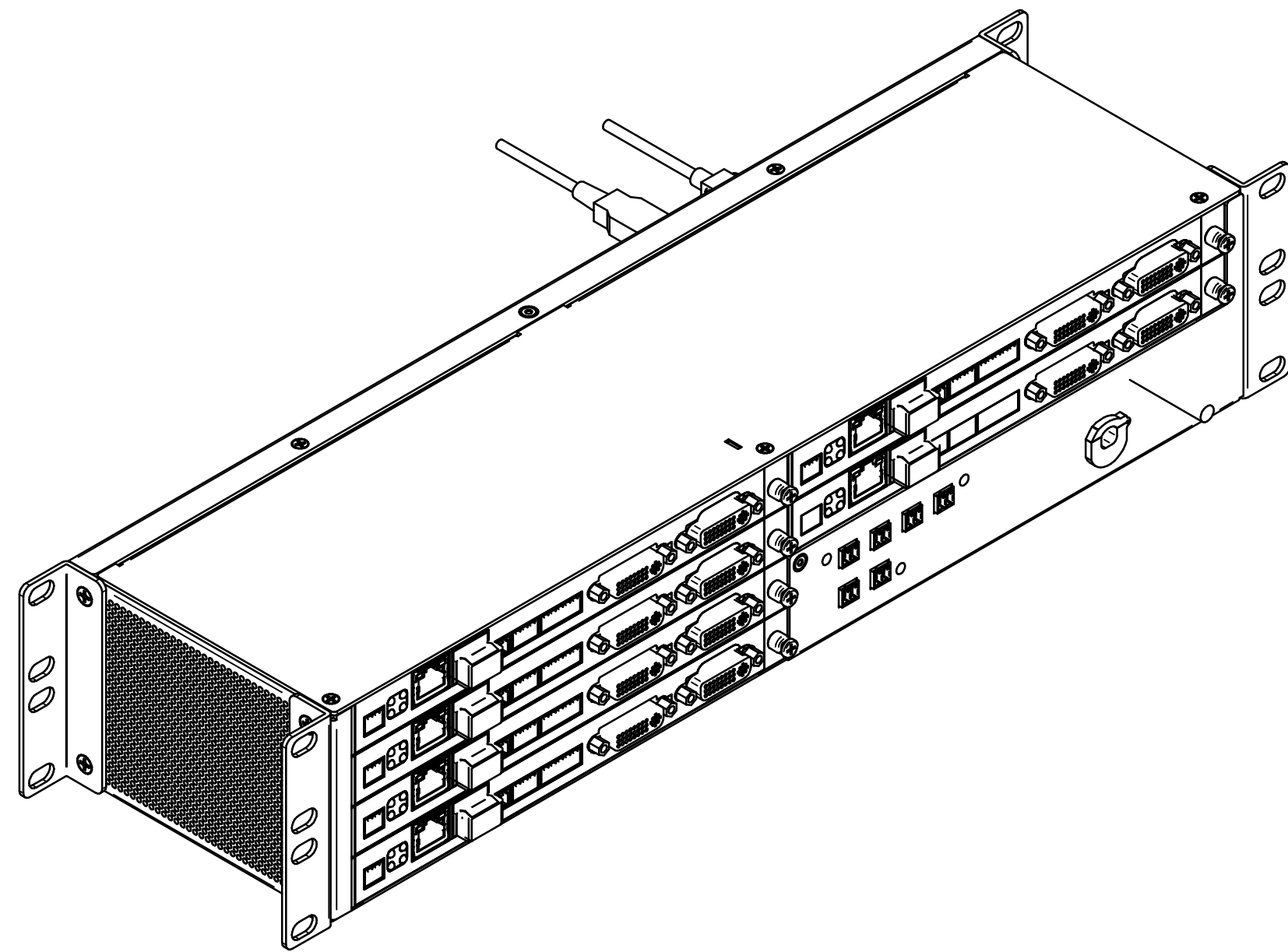


| REVISION HISTORY | | | |
|------------------|-----|-------|-------------------|
| DATE | REV | ECO # | COMMENT |
| 07/13/16 | @A | N/A | ORIGINAL REVISION |
| | | | |



FRONT VIEW



BACK VIEW

| ITEM: | PART NO. | DESCRIPTION |
|--|----------|---|
| TOLERANCE (EXCEPT AS NOTED) 2 PLACES DECIMALS ±.020 3 PLACES DECIMALS ±.010 HOLES ±.003 ANGLES ±1/2" | | AMX PRODUCT N SERIES 2U CHASSIS |
| MTL: | N/A | DRN: ENG: |
| FINISH: | N/A | CHK: ENG: |
| NEXT ASSY: | | TITLE: PICTORIALVIEWS |
| SCALE: 1:1 | SIZE: D | DWG NO.: 2U CHASSIS SHEET 1 OF 1 FILE NO.: |