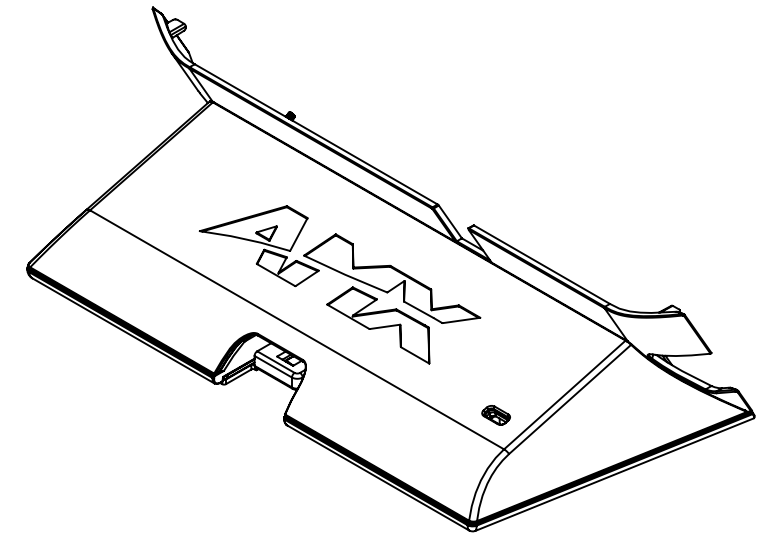
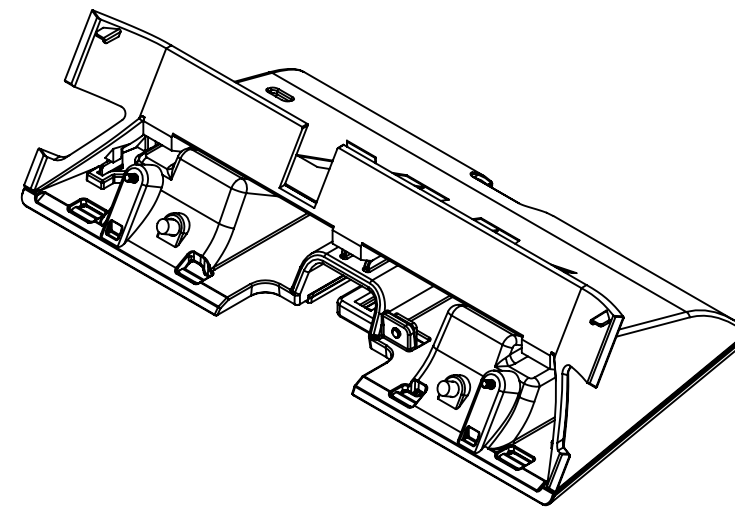
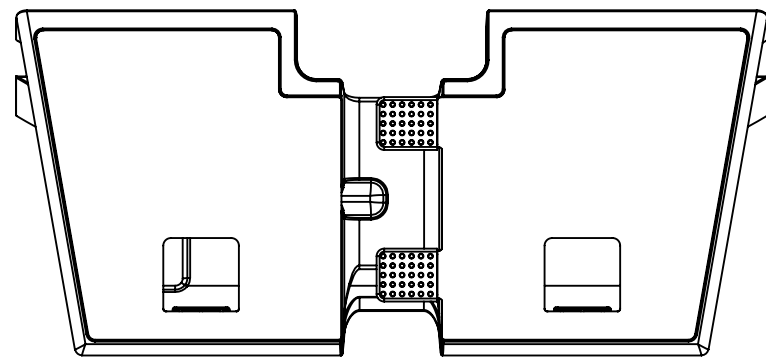
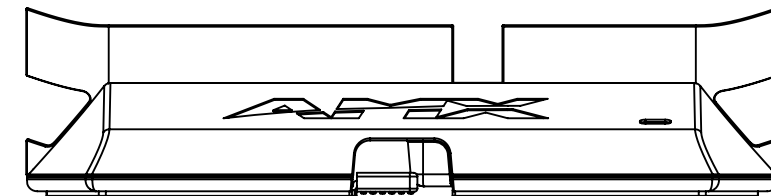
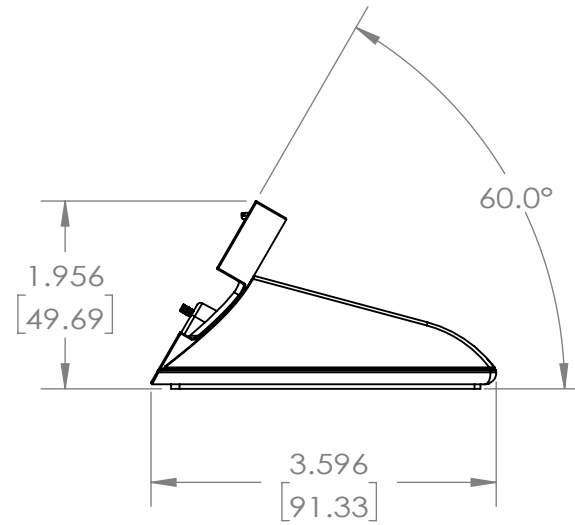
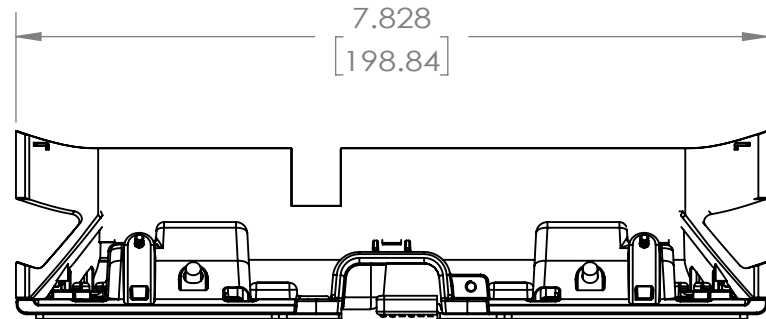
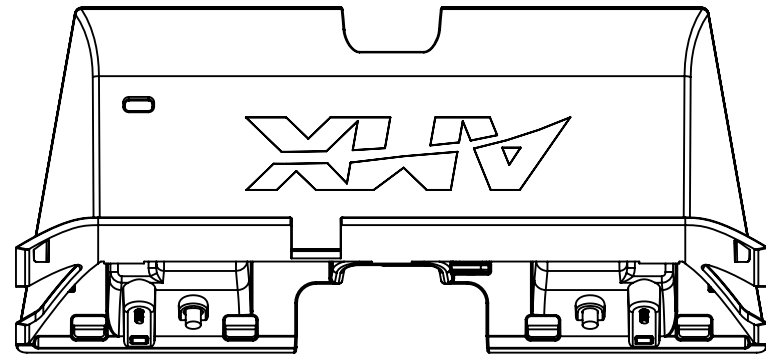


REVISION HISTORY			
DATE	REV.	DESCRIPTION	BY
2023/5/22	A	Initial release	PXiong



NOTES:
 1. Unit: inch / [mm]
 2. Detailed dimension refer to DXF/DWG files.

2023 © HARMAN INTERNATIONAL INDUSTRIES, INCORPORATED. ALL RIGHTS RESERVED. DO NOT USE, DISCLOSE, SELL, REPRODUCE, PUBLISH OR MODIFY WITHOUT AUTHORIZED WRITTEN HARMAN PERMISSION.

ROHS
 RESTRICTION OF HAZARDOUS SUBSTANCES ALL MATERIALS USED IN THIS PART MUST BE ROHS COMPLIANT. SUPPLIER SHALL PROVIDE A CERTIFICATE OF ROHS COMPLIANCE WITH THE FIRST ARTICLE.

DIMENSIONS SHOWN ARE FOR REFERENCE AND INSPECTION ONLY. REFER TO CAD MODEL PROVIDED WITH THIS DRAWING FOR OVERALL DEFINITION OF PART GEOMETRY.

THIRD ANGLE PROJECTION		
DRAWN BY PXiong	DATE 2023/5/22	
DESIGNED BY	DATE	
PROJECT MANAGER/ENGINEER		

HARMAN			
TITLE DWG, PICTORIAL, AMX-UMT0801			
NO. AMX-UMT0801		REV A	
SIZE B	SCALE 1:2	DO NOT SCALE DRAWING	SHEET OF 1 1