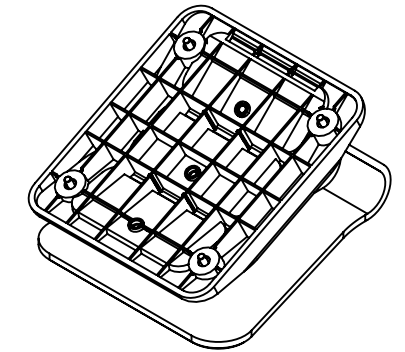
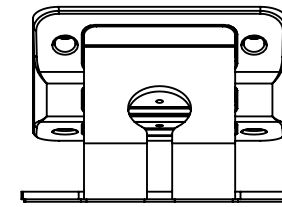
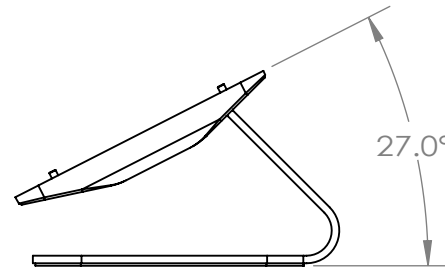
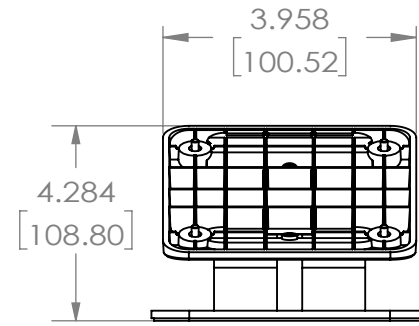
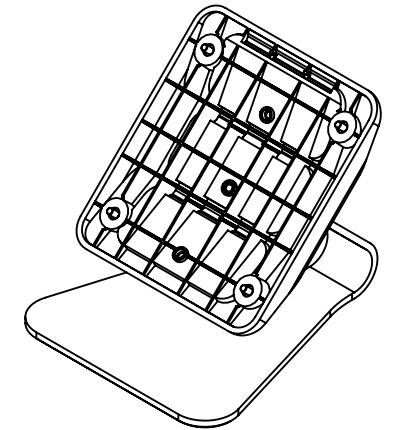
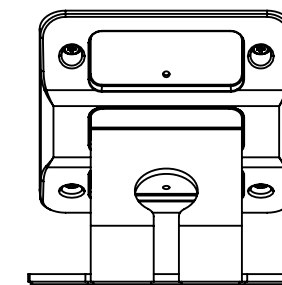
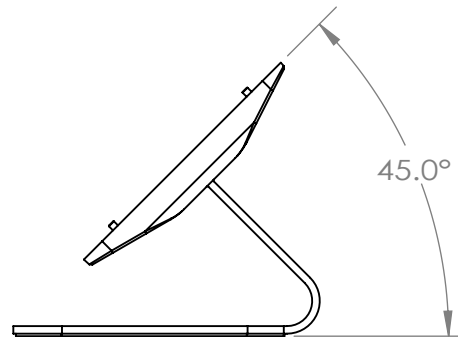
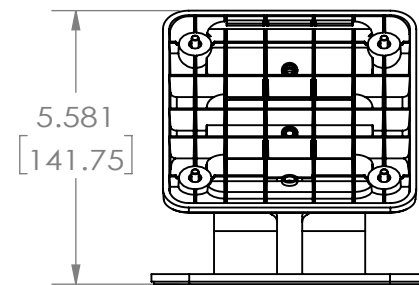


REVISION HISTORY			
DATE	REV.	DESCRIPTION	BY
2023/4/12	A	Initial release	PXiong

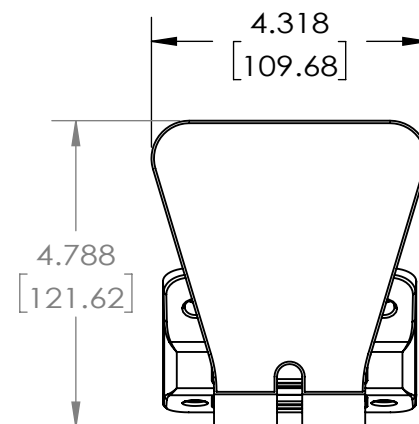
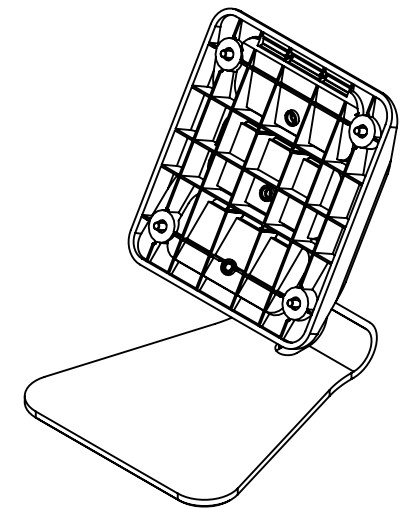
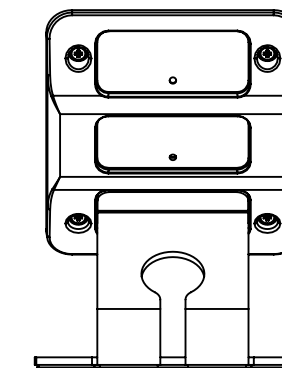
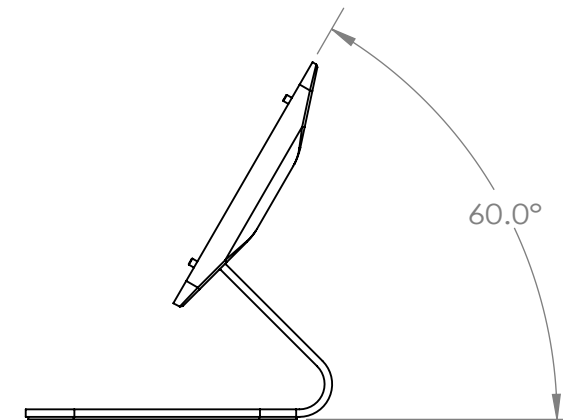
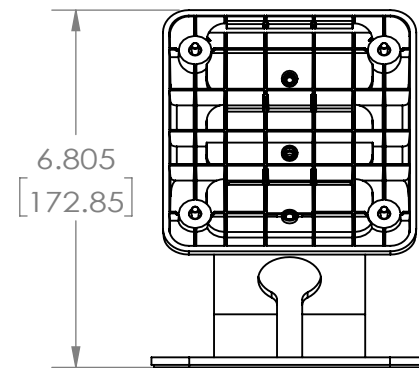
27 DEGREE ANGLE



45 DEGREE ANGLE



60 DEGREE ANGLE



NOTES:  
 1. Unit: inch / [mm]  
 2. Detailed dimension refer to DXF/DWG files

2023 © HARMAN INTERNATIONAL INDUSTRIES, INCORPORATED. ALL RIGHTS RESERVED. DO NOT USE, DISCLOSE, SELL, REPRODUCE, PUBLISH OR MODIFY WITHOUT AUTHORIZED WRITTEN HARMAN PERMISSION.

**ROHS**  
 RESTRICTION OF HAZARDOUS SUBSTANCES ALL MATERIALS USED IN THIS PART MUST BE ROHS COMPLIANT. SUPPLIER SHALL PROVIDE A CERTIFICATE OF ROHS COMPLIANCE WITH THE FIRST ARTICLE.

THIRD ANGLE PROJECTION

DRAWN BY: PXiong  
 DESIGNED BY:  
 PROJECT MANAGER/ENGINEER:

DATE: 2023/4/12  
 DATE:

DIMENSIONS SHOWN ARE FOR REFERENCE AND INSPECTION ONLY. REFER TO CAD MODEL PROVIDED WITH THIS DRAWING FOR OVERALL DEFINITION OF PART GEOMETRY.

HARMAN

TITLE: DWG, PICTORIAL, AMX-UMT8111

NO. AMX-UMT8111  
 SCALE: 1:3  
 DO NOT SCALE DRAWING

REV A

SHEET 1 OF 1