

Overview

The CB-MSA-10 Rough-In Box (**FG2265-08**) is an optional accessory for MSD-1001 (Modero S Series) 10.1" Landscape Wall Mount Touch Panels and RMBK-1001 10.1" AMX RoomBook Scheduling Panels. It allows the panel to be mounted directly to the studs/pre-wall.

The back of the 10.1" Wall Mount Touch Panel is contained within a plastic outer housing or *back box*, and the back box attaches to the Rough-In Box. The Rough-In Box kit includes a wall box, cover, and mounting screws.

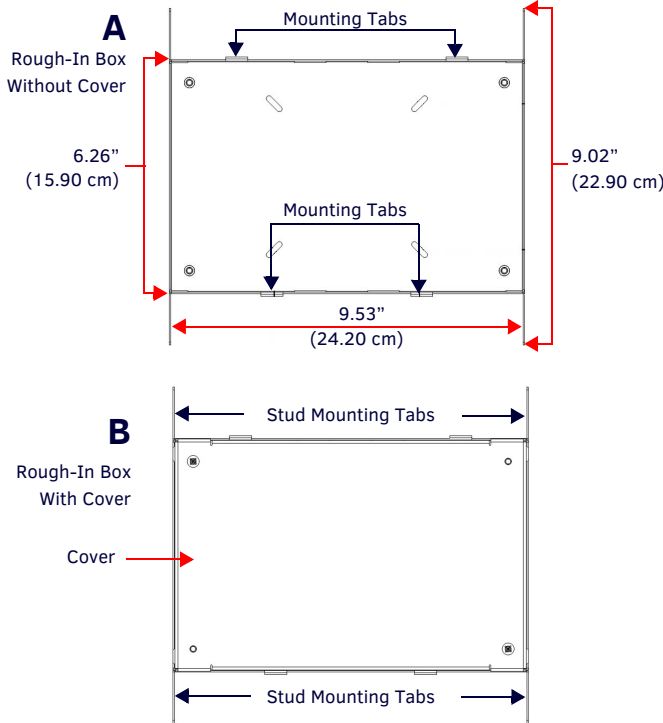


FIG. 1 CB-MSA-10 ROUGH-IN BOX - WITH FRONT COVER

WARNING: In order to guarantee a stable installation of the touch panel, the distance between the CB-MSA-10 and the outer wall surface must be a minimum of .50 inches (1.27cm) and a maximum of .150 inches (3.81cm).

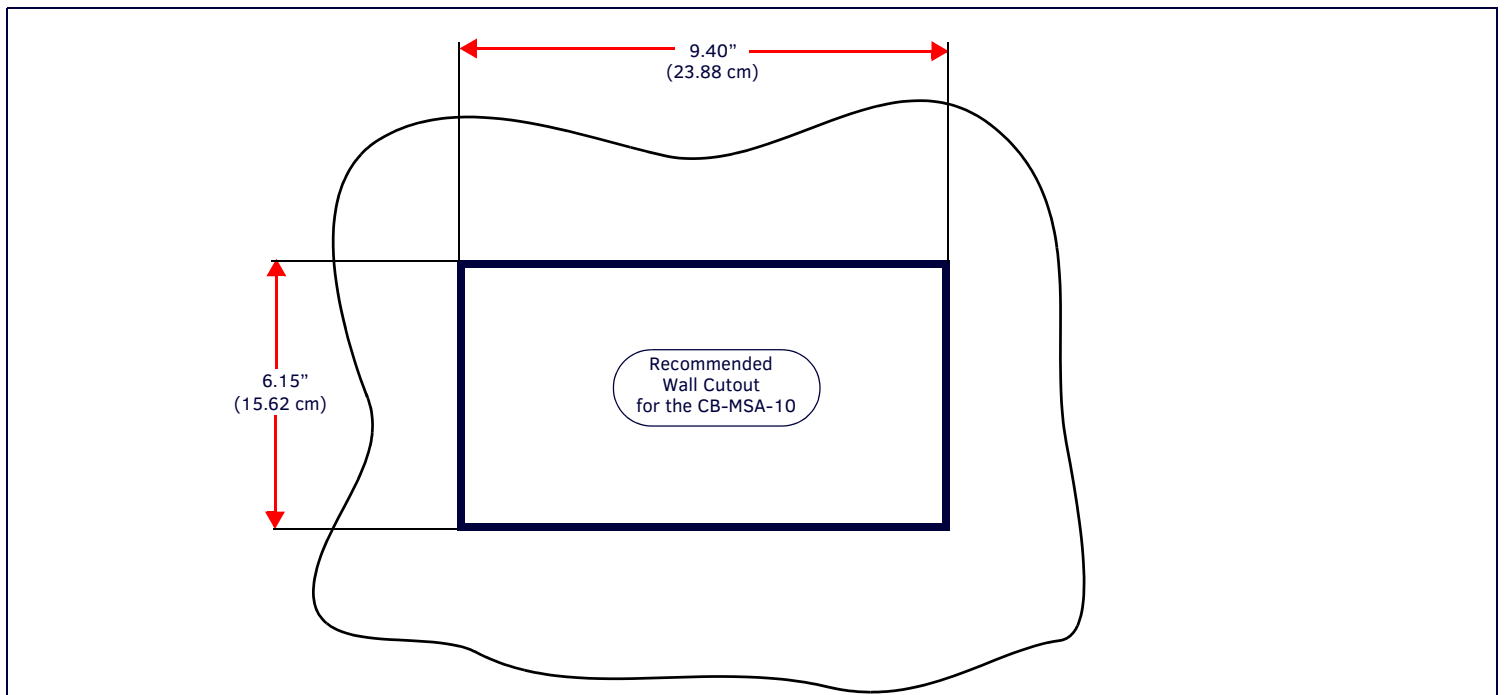
Refer to the 95-2265-08 diagram for detailed installation dimensions.

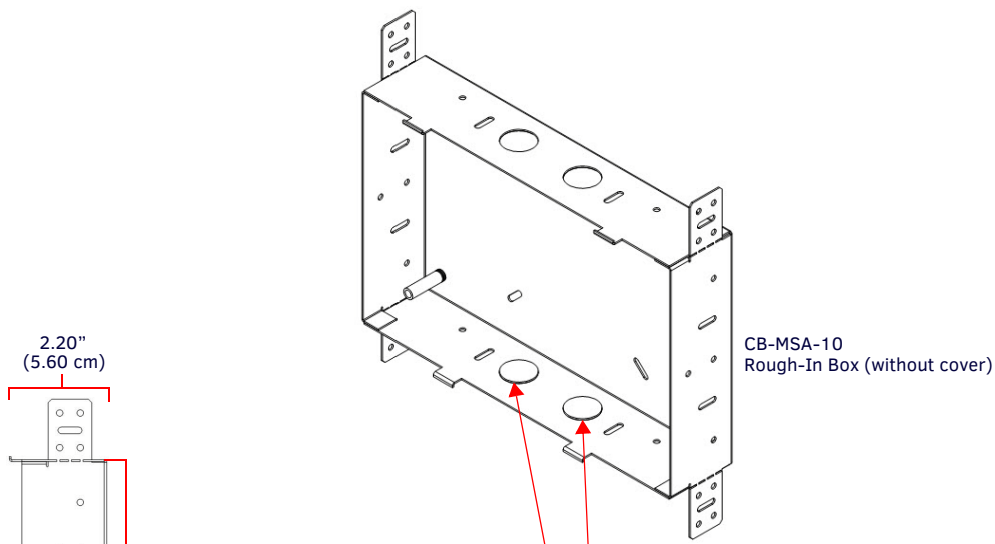
Specifications

CB-MSA-10 SPECIFICATIONS	
Touch Panel Compatibility	<ul style="list-style-type: none"> MSD-1001-L2 Modero S Series 10.1" Wall Mount (FG2265-31) MSD-1001-L Modero S Series 10.1" Wall Mount (FG2265-01) RMBK-1001 10.1" AMX RoomBook Scheduling Touch Panel (FG2265-40)
Dimensions (HWD)	<ul style="list-style-type: none"> Rough-In Box: 9.0" x 9.53" x 2.20" (22.90cm x 24.20cm x 5.60cm) Cover Plate: 6.26" x 9.53" x .18" (15.90cm x 24.20cm x .46cm)
Weight	<ul style="list-style-type: none"> With cover: 1.95 lbs (0.88 kg) Without cover: 1.30 lbs (0.59 kg)
Certifications	<ul style="list-style-type: none"> UL Listed
Included Accessories:	<ul style="list-style-type: none"> Cover Plate for Rough-in Box (FG039-20) Mounting Screws (8), #8-32 X 2.00 (80-5967-03)

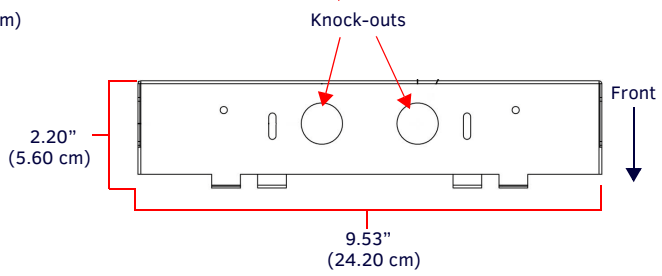
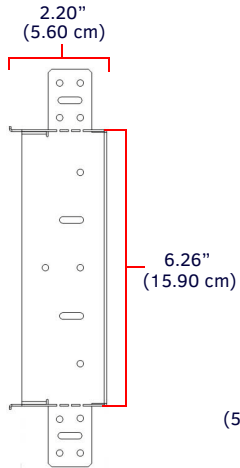
Pre-Wall Installation of the CB-MSA-10 Rough-In Box

- Remove the rough-in box cover (**B** in FIG. 1) before installation of the rough-in box (**A**). *note: the cover must be removed before drywall installation. The cover may be reinstalled after drywall installation using 4-40 screws (not included).*
NOTE: The mounting tabs on the front of the rough-in box (**A**) are intended to allow additional anchoring of the rough-in box to its wall, but these can be removed if necessary.
- Fasten the CB-MSA-10 rough-in box to the stud through the holes on the Stud Mounting tabs, using either nails or screws (not provided). Additional framing or blocking may be desired for a more robust mounting.
- Remove the appropriate wiring knockouts from the rough-in box to accommodate the cables being threaded through to the Touch Panel.
- Thread the incoming Ethernet and USB wiring through the knockouts. Using the left wiring knockouts for USB connector cables and the right wiring knockouts for the LAN/PoE In cable is very highly recommended with this installation. Leave enough slack in the wiring to accommodate installation of the docking station.
- Install the drywall/sheetrock before inserting the back box for the CB-MSA-10.
- Cut out the opening for the Wall Mount Touch Panel back box where the wall has been placed over the Rough-In Box. Cutting out the surface slightly smaller than what is outlined in the installation drawings, so that you can make any necessary cutout adjustments, is very highly recommended.
NOTE: The front cover of the CB-MSA-10 (**B** in FIG. 1) should be installed after the appropriate wiring is pulled to the Rough-In Box. The cover should then be removed prior to the installation of the touch panel back box and discarded.
Do not discard the cover screws.
- Remove the matching knockouts on the touch panel's Back Box. Install the touch panel's Back Box into the opening, allowing the stand-ups for the cover screws to pass through the back of the Back Box. Secure the Back Box to the Rough-In Box with the cover screws, pass the touch panel's wiring through the Back Box knockouts, and install the touch panel.

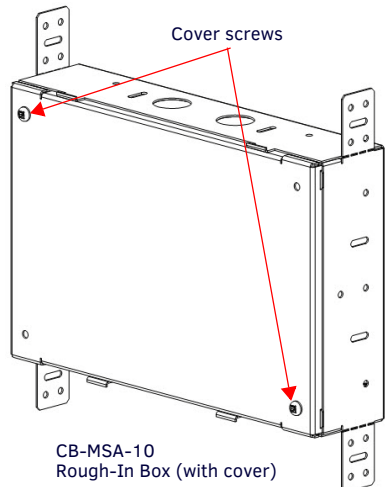




CB-MSA-10
Rough-In Box (without cover)



Knock-outs



CB-MSA-10
Rough-In Box (with cover)

