

### Overview

The CB-MXP10-F Flush Mount Rough-In Box (FG5968-84) is an optional accessory for the Modero X Series 10" Wall Mount Touch Panel. It is designed to be flush mounted onto solid walls (rock, concrete, adobe, cinder block) or drywall applications.

The back of the Modero X Series 10" Wall Mount Touch Panel is contained within a plastic outer housing or *back box*, and the back box attaches to the Rough-In Box. The Rough-In Box kit includes a wall box, cover, and mounting screws.

### Specifications

CB-MXP10-F SPECIFICATIONS	
Dimensions (HWD)	• Rough-In Box: 10.1" x 10.3" x 3.64" (25.7 cm x 26.2 cm x 9.25 cm)
Weight	• Without cover: 1.80 lbs (0.82 kg)
Certifications	• UL Listed
Included Accessories:	• Cover Plate to cover Rough-In Box (62-5968-93) • Rough-In Box Cover Mounting Screws (2) (80-5967-04)

### Wall Mount Install of the CB-MXP10-F Rough-In Box

1. Remove the cover (B in FIG. 1) off of the rough-in box (A) before installation.

**CAUTION:** The cutout dimensions shown will allow the unit to pass through without any dragging or interference. The outer phantom lines show the perimeter of the mounting flange. If any part of the cutout extends up to or beyond that perimeter, the cut edge will be visible after installation, or the unit could fall through the opening.

### Solid Wall Construction

1. Cut a hole in the wall using best practices according Fig D below.
2. Insert the box into the cutout until the front tabs are seated flush (Fig D).
3. Screw or anchor to the wall through some of the various holes in the sides and back of the box. Snap off the four tabs once box is secured and continue with step 5 below.

### Drywall and Stud Mounting

1. Break the four bent tabs around the front of the box off (Fig C).
2. Mount the metal box with its leading edge flush with the stud.
3. Remove the appropriate wiring knockouts from the rough-in box to accommodate the cables being threaded through to the wall mount touch panel.
4. Thread the incoming Ethernet and USB wiring through the knockouts. Using the left wiring knockouts for USB connector cables and the right wiring knockouts for the LAN/PoE In cable is very highly recommended with this installation. Leave enough slack in the wiring to accommodate installation of the docking station.
5. After drywall is installed (with cover removed), use a rotary cutting tool or drywall saw to cut to the inside dimensions of the rough-in box. If using the included front cover, small notches may be needed to clear the four raised tabs on the cover. Do not shave off more drywall than necessary for clearance to insure that the flush mount kit will cover the entire opening after installation.

**NOTE:** The front cover (B in FIG. 1) should be installed after the appropriate wiring is pulled to the Rough-In Box. The cover should then be removed prior to the installation of the touch panel back box and discarded.

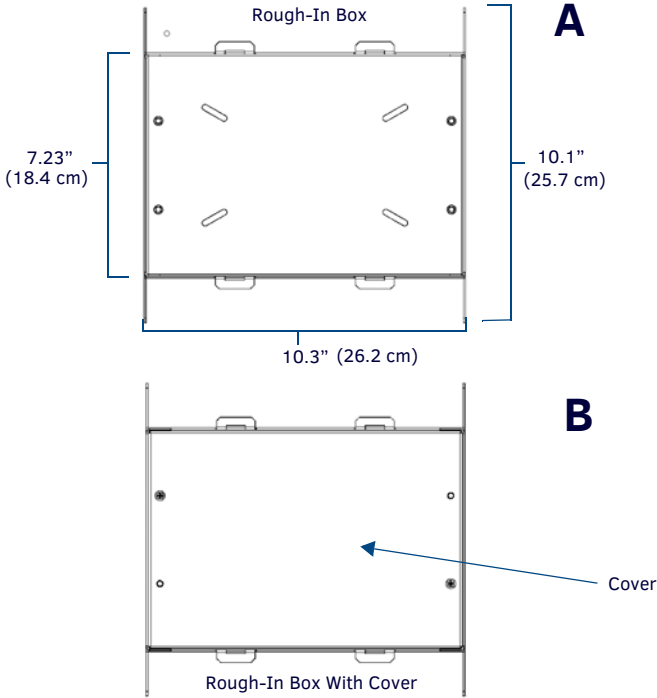
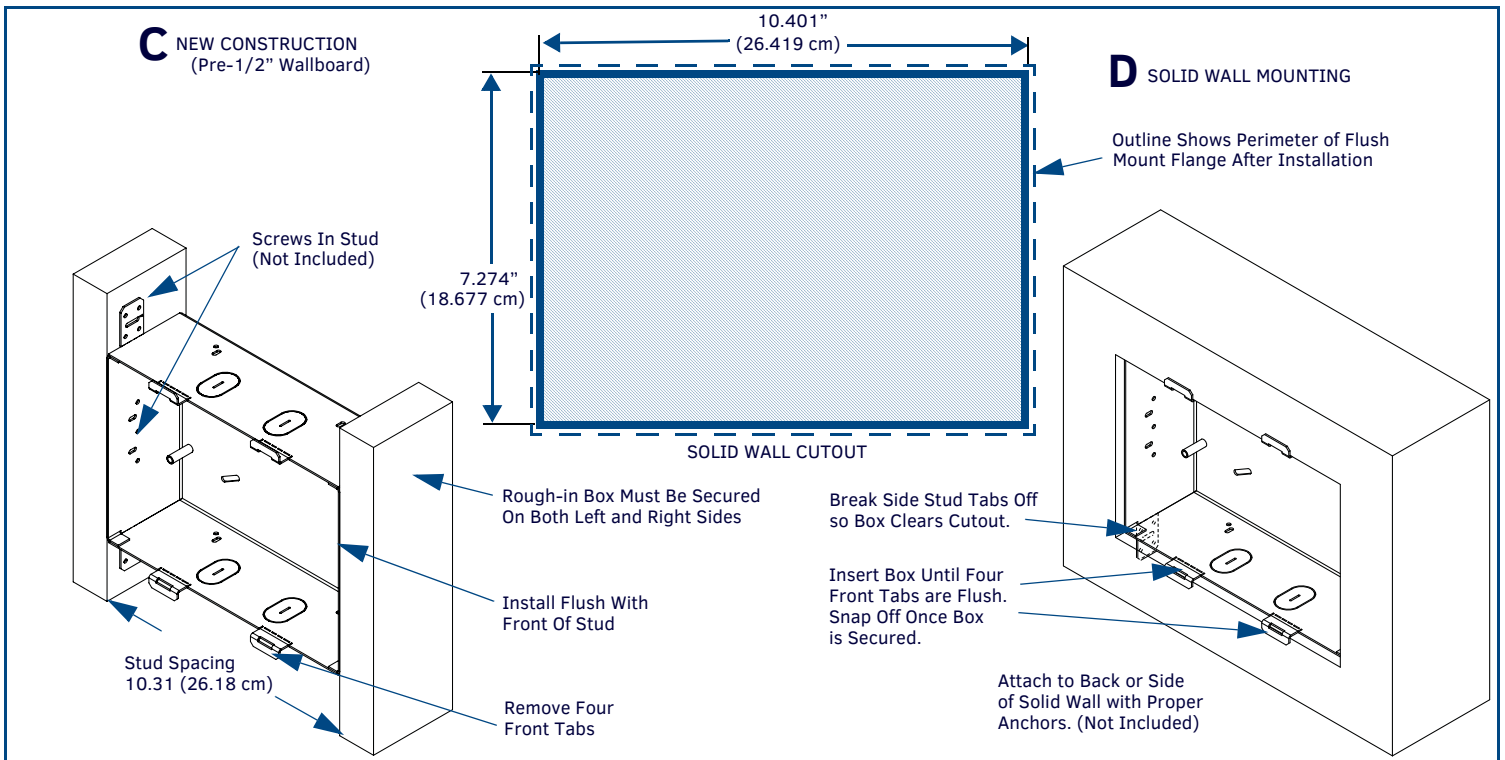
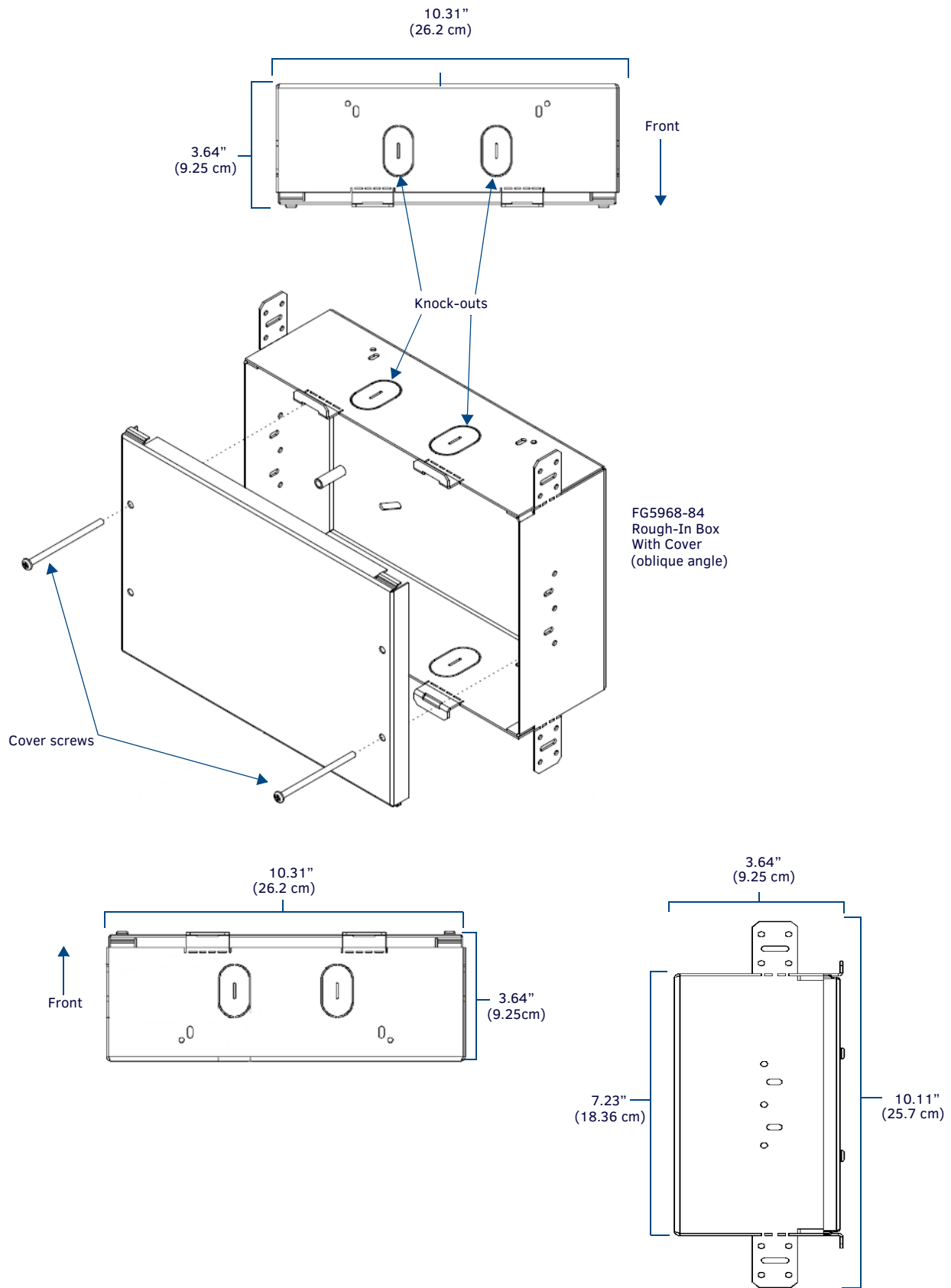


FIG. 1 CB-MXP10-F ROUGH-IN BOX





Last Revised: 11/05/2015

© 2015 Harman. All rights reserved. Modero X Series, AMX, AV FOR AN IT WORLD, HARMAN, and their respective logos are registered trademarks of HARMAN. Oracle, Java and any other company or brand name referenced may be trademarks/registered trademarks of their respective companies. AMX does not assume responsibility for errors or omissions. AMX also reserves the right to alter specifications without prior notice at any time. The AMX Warranty and Return Policy and related documents can be viewed/downloaded at [www.amx.com](http://www.amx.com).  
**3000 RESEARCH DRIVE, RICHARDSON, TX 75082 AMX.com | 800.222.0193 | 469.624.8000 | +1.469.624.7400 | fax 469.624.7153**  
**AMX (UK) LTD, AMX by HARMAN - Unit C, Auster Road, Clifton Moor, York, YO30 4GD United Kingdom • +44 1904-343-100 • [www.amx.com/eu/](http://www.amx.com/eu/)**

93-5968-84 REV: B

