

Overview

The HPG-20 family of 2-inch Grommets (FG570-02m-cc) are an elegant means to control cables in conference rooms, meeting rooms and personal workspaces.

They are designed to be mounted into a horizontal surface such as a conference room table, desk or lectern in order to manage Audio/video, power and or networking cables.



FIG. 1 HPG-20 2" GROMMET

AMX offers nine versions of the HPG-20 2-inch Grommet.

HPG-20 2-INCH GROMMETS	
FG570-02-SL	Matte Silver Plastic Top
FG570-02S-MB	Matte Black in Silver Metal Top
FG570-02B-MB	Matte Black in Black Metal Top
FG570-02S-GS	Gloss Silver in Silver Metal Top
FG570-02B-GS	Gloss Silver in Black Metal Top
FG570-02S-GB	Gloss Black in Silver Metal Top
FG570-02B-GB	Gloss Black in Black Metal Top
FG570-02S-FG	Frosted in Silver Metal Top
FG570-02B-FG	Frosted in Black Metal Top

Product Specifications

HPG-20 SPECIFICATIONS	
Dimensions (HWD)	
• Max above mounting surface:	1" (25mm)
• Max below mounting surface:	1.1" (28mm)
• Mounting surface footprint:	2.76" (70mm) Diameter
• Min. mounting surface thickness:	1/2" (13 mm)
• Max mounting surface thickness:	2-inch (51mm)
• Table Cutout Dimensions:	2-inch (51mm) Round Hole
Weight	6oz (.2 Kg)
Enclosure	Black plastic structure with a top cap made of plastic or metal with an acrylic inlay.

Installation

Tools Required

- Drill
- 2" Hole Saw (recommended brands: LENOX®, DEWALT®, Milwaukee®)

CAUTION: This installation requires specific woodworking skills. This installation should be performed by an experienced person, comfortable with these types of woodworking operations. Improper installation may result in damage to the mounting surface. AMX is not responsible for damage caused by improper installation.

Read these instructions in their entirety before beginning the installation. The installation requires specific steps to be performed in specific order.

1) Select a Suitable Location For the HPG-20

Note the space requirements for installing the system (FIG. 2):

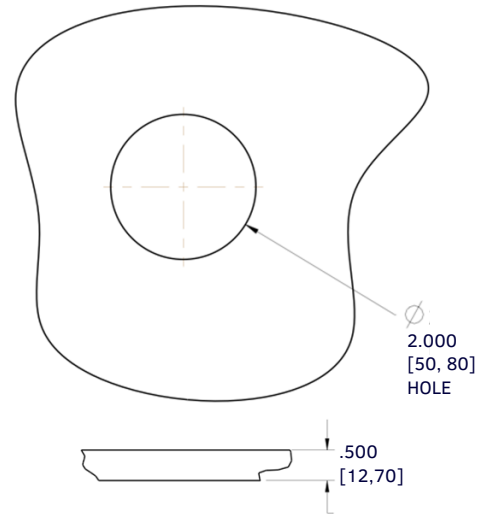
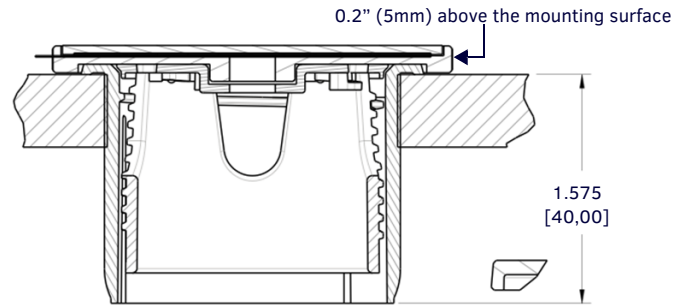


FIG. 2 HPG-20 INSTALLATION SPECIFICATIONS

Note that the HPG-20 requires 0.2" (5mm) above the mounting surface.

2) Drill The Hole In The Mounting Surface

Note: AMX recommends Lennox®, Dewalt® or Milwaukee® brand hole saws. Some lower quality hole saws may make a hole larger than 2" (51mm) in diameter, which will cause the HPG-20 to fit loosely in the hole. If in doubt, test the hole saw for proper fit before drilling into the final mounting surface.

1. Carefully measure the tabletop or other mounting surface to locate the desired position of the HPG-20.
Take care to ensure that the top surface of the mounting surface is not damaged beyond the width of the trim bezel as the cutout is made.
2. Use an appropriate drill and 2" (51mm) hole saw to drill a 2" hole in the mounting surface.
 - Make sure cutting tool used is appropriate for the material to be cut and will not tear or chip the top surface.
 - Note that the process of making the cutout will create substantial dust and prepare the environment appropriately.

3) Insert the Cables

For cables for which the far end of the cable is not accessible either because the cable has been run under carpet, in a conduit or structure, or is otherwise fixed, the cable must be placed through the cutout in the table prior to installation (FIG. 3).

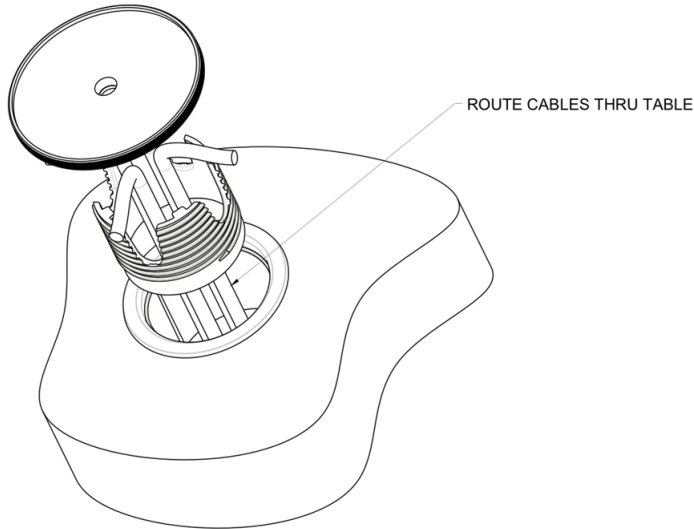


FIG. 3 CABLE INSTALLATION

1. Remove the top cap of the HPG-20 by gripping the threaded riser and rotating the top cap counter clockwise.
2. Pass the cable through the mounting sleeve and the threaded riser.
3. Repeat as needed for additional cables.
4. Position the cables into one of the four open slots in the threaded riser.
5. Install the top cap by gripping the threaded riser and rotating the top cap clockwise until the locking tabs are fully engaged.
6. Rotate the threaded riser in the mounting sleeve until the cables are properly constrained between the top cap and the mounting sleeve.

4) Install the Grommet Into The Mounting Surface

Simply press the grommet with cables into the hole in the mounting surface.

- The fit of the grommet in the hole should be snug.
- Once in the mounting surface, the threads of the riser and mounting sleeve should also be snug (FIG. 4).



FIG. 4 TOPSIDE OF INSTALLED UNIT



Last Revised: 8/11/2015

© 2015 Harman. All rights reserved. HydraPort, AMX, AV FOR AN IT WORLD, HARMAN, and their respective logos are registered trademarks of HARMAN. Oracle, Java and any other company or brand name referenced may be trademarks/registered trademarks of their respective companies.

AMX does not assume responsibility for errors or omissions. AMX also reserves the right to alter specifications without prior notice at any time. The AMX Warranty and Return Policy and related documents can be viewed/downloaded at www.amx.com.

3000 RESEARCH DRIVE, RICHARDSON, TX 75082 AMX.com | 800.222.0193 | 469.624.8000 | +1.469.624.7400 | fax 469.624.7153

AMX (UK) LTD, AMX by HARMAN - Auster Road, Clifton Moor, York, YO30 4GD United Kingdom • +44 1904-343-100 • www.amx.com/eu/

93-0570-01 REV: C

