

Overview

The MXR-1001 / 10.1" Modero X® Series G5 Retractable Touch Panel mounts beneath the table so it hides away when not in use.

MXR-1001 SPECIFICATIONS	
DIMENSIONS (HWD)	15.325" x 11.010" x 6.753" (389.25mm x 279.65mm x 171.53mm)
CUTOUT DIMENSIONS	10.701" x 1.984" (271.81mm x 50.39 mm)
WEIGHT	18.85 lbs (8.55 Kg)
POWER CONSUMPTION	Full-On: 15.6W (in motion) / Full-On (no motion): 7.2W Sleep: 4.6W, Shut Down 0.12W, Start-Up Inrush Current: 7.1 amps
POWER SUPPLY	PSR2.5 24V external power supply (included), uses 3-pin captive wire connector to connect to the MXR-1001.
CERTIFICATIONS	<ul style="list-style-type: none"> FCC Part 15 Class B C-Tick C1SPR 22 Class B CE EN 55022 Class B, EN 55024, and EN 55032 IC/CSA IEC/EN-60950 UL 60950-1 RoHS/WEEE/ErP compliant
INCLUDED ACCESSORIES	<ul style="list-style-type: none"> PSR2.5 24V external power supply (FG423-47) Cardstock Installation Cutout Template 7 Mounting Screws 4 Mounting Clamps 1 snap-on cable Ferrite 1 Mounting Spacer / 4 screws (60-5968-115) MXA-CLK, Modero X/S Series Cleaning Kit (FG5968-16)
OPTIONAL ACCESSORIES	<ul style="list-style-type: none"> MX-AC-TMPLT-MXR10, Aluminum Installation Router Guide (FG559-96)

Installing the MXR-1001

Read these instructions in their entirety before beginning the installation. *This installation requires specific woodworking skills. Only a professional, AMX-qualified installer should perform this installation. Installation must conform to all local codes. This product may not be installed by the end-user.*
NOTE: Due to the weight of the MXR-1001, this installation requires TWO INSTALLERS.

Required Accessories (Not Included)

- Straight-Cut Router bit: Freud 12-128 or Whiteside 1072 (0.5" or 12mm / 12.7mm OD)
- Guide Bushing: Woodcraft 144693 (.75" or 19 mm OD)
- Bushing Lock Nut: Woodcraft 144696

1) Unbox the MXR-1001 and Remove Packing Materials

- Carefully remove the MXR-1001 from the shipping box and remove all packing materials.
- Be sure to remove the protective foam padding from both the front and the back of the touch panel.

2) Select a Suitable Location

Ensure that the MXR-1001 will not interfere with the normal use of the work space when installed, both above and below the mounting surface. For example, ensure that the Motor chassis does not interfere with the user's legs when seated at the table. Also, ensure that other devices installed in proximity to the MXR-1001 will not interfere with the installation and use of the MXR-1001.

Mounting Surface Requirements

Above Mounting Surface (HWD):	9.57" x 10.55" x 4.53" (243mm x 268mm x 115mm)
Below Mounting Surface (HWD):	15.37" x 12.04" x 6.78" (391 mm x 306mm x 173mm)
Mounting Surface Thickness:	Min: 0.5" (12.7mm) / Max: 2.0" (50mm)

Note: Use the included surface extender for surfaces thicker than 2" (50mm). Refer to the MXR-1001 Hardware Installation Guide for details.

Above-Surface Dimensions

FIG. 1 indicates the above-surface dimensions of the MXR-1001, including the Bezel:

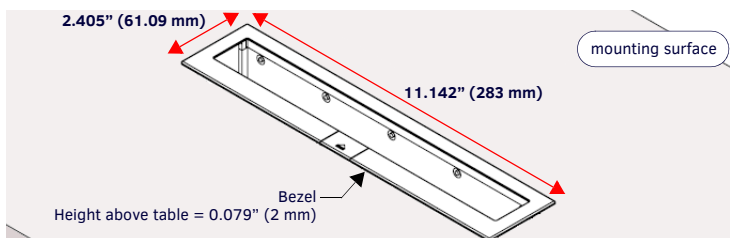


FIG. 1 ABOVE-SURFACE DIMENSIONS OF MXR-1001

Below-Surface Dimensions

FIG. 2 provides a top view of an installed MXR-1001, to indicate the area required below the mounting surface for the chassis and Mounting Clamps:

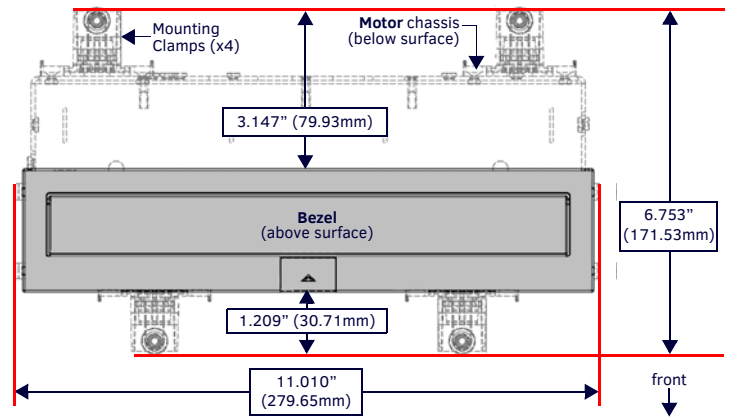


FIG. 2 MXR-1001: TOP VIEW, INDICATING AREA REQUIRED BELOW THE MOUNTING SURFACE

FIG. 3 indicates the below-surface depth requirements for the MXR-1001 (side view):

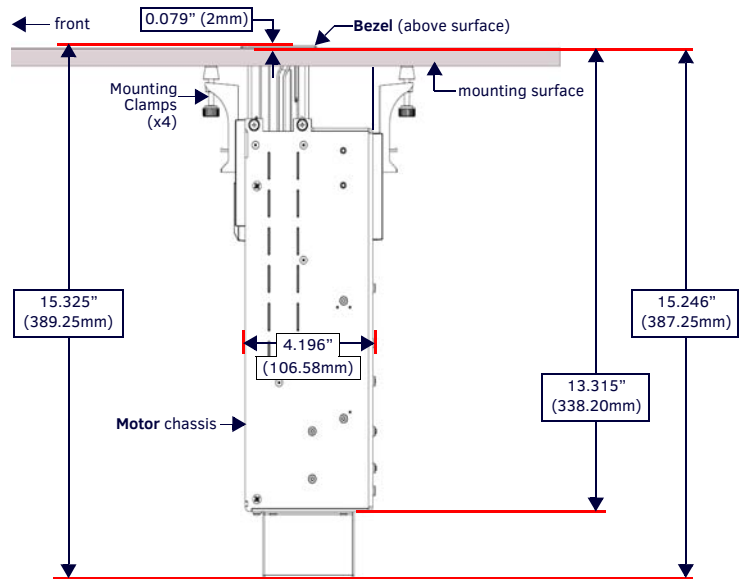


FIG. 3 DIMENSIONS OF THE MXR-1001 (SIDE VIEW, BELOW THE MOUNTING SURFACE)

Hole Cutout Dimensions for the Mounting Surface

Refer to the following table for the dimensions of the actual hole cut out in the mounting surface, resulting from using the Router Guide and required accessories:

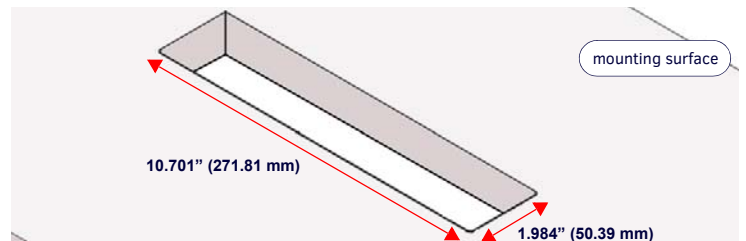


FIG. 4 ABOVE-SURFACE DIMENSIONS OF MXR-1001

3) Cut the Hole In the Mounting Surface

CAUTION: Always wear safety glasses when operating the router. Failure to comply may result in eye injury.

Using the specified guide bushing and router bit (not included, see *Required Accessories*):

- Use the appropriate Installation Router Guide to mark the edges of the cutout.
- Carefully cut the opening in the table surface with the router.
 - Little clearance exists between the MXR-1001 and the hole cutout in the mounting surface. Once the MXR-1001 assembly has been installed, the Bezel will cover the cutout hole.
 - Carefully align the cutout with the edges or other appropriate features in the table or mounting surface. If the cutout is misaligned, the installed unit will be misaligned.
 - Use a drill and drill bit to make a starting hole within the boundary of the cutout. Use an appropriate cutting tool to finish the cutout.

- Verify that the cutting tool will not tear or chip the top surface. Ensure that the top surface of the mounting surface is not damaged beyond the width of the trim bezel as the cutout is made.

Note: The process of making the cutout will create substantial dust - prepare the environment appropriately.

- File the four corners of the routing area square after routing.

4) Install the MXR-1001 Into the Mounting Surface

- Before the MXR-1001 can be installed, the Bezel must be separated from the Motor chassis: Remove the 11 screws (3 on the front, 4 on the back, and 2 on each side), unplug the MXR cable, and lift the Bezel off of the Motor chassis (FIG. 7):

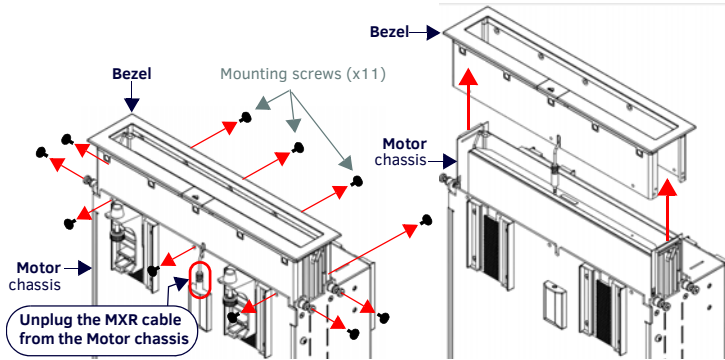


FIG. 5 ATTACHING THE BEZEL TO THE MOTOR CHASSIS

- Position the Motor chassis directly beneath the cutout hole. Verify that it is oriented correctly: the plug for the MXR cable is located on the front of the chassis (USB, Ethernet and Power connectors are on the rear).

Note: The Motor chassis weighs approximately 18lbs (8.16Kg) - it will require a second pair of hands to keep it positioned precisely beneath the cutout hole. Additionally, consider using the packaging material from the MXR-1001 shipping box as a support to keep it in place during installation.

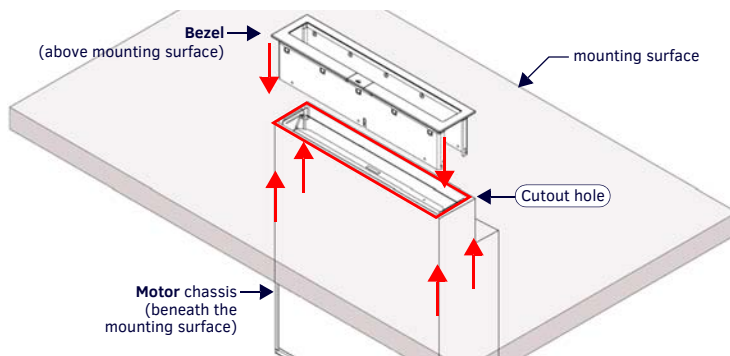


FIG. 6 POSITIONING THE MOTOR CHASSIS BENEATH THE CUTOUT

- Carefully lift the Motor chassis up so that the top of the chassis fits into the cutout and is flush with the top of the mounting surface.
- Position the Bezel directly above the cutout hole. Verify that the Bezel is oriented correctly relative to the Motor chassis - the pushbutton is located on the front of the Bezel.
- Route the MXR cable from the Bezel through the slot on the front center of the Bezel, and run it through the cutout hole.
- Lower the Bezel through the cutout hole and slide it onto the top of the Motor chassis.
- Secure the Bezel to the Motor chassis using all 11 supplied mounting screws - there are 3 mounting holes on the front, 4 on the back, and 2 on each side (FIG. 7):

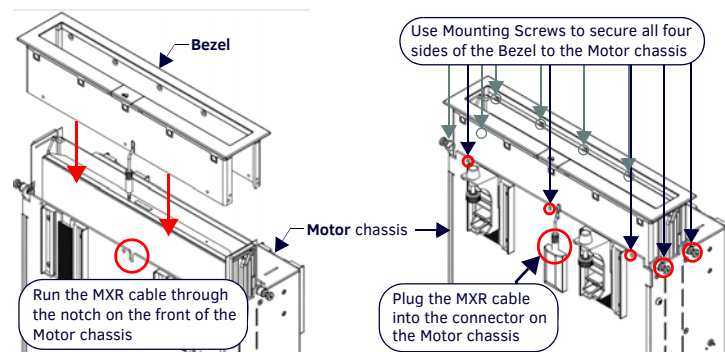


FIG. 7 ATTACHING THE BEZEL TO THE MOTOR CHASSIS

Note: In some cases, one or more of the mounting holes on the Bezel/Motor chassis assembly may be obstructed and impossible to access for installing Mounting Screws. The MXR-1001 can be installed securely without using all 11 mounting screws. Always use as many of the Mounting Screws as possible and verify that the Bezel is secured to the Motor chassis.

- Plug the MXR Cable from the Bezel into the connector on the front panel of the Motor chassis (beneath the mounting surface - see FIG. 5).
- With the Motor & Bezel assembly positioned in the mounting surface, use the 2 included Mounting Clamps to secure the assembled unit to the mounting surface. The Mounting Clamps slide into the two matching (ratcheted) Clamp Slots on each side of the Motor chassis. To install the Mounting Clamps on the sides of the Motor chassis:

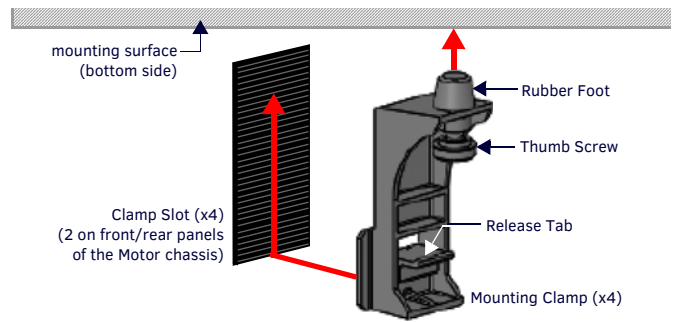


FIG. 8 CLAMP SLOTS AND SIDE CLAMP (X4)

- Insert each Mounting Clamp into a ratcheted Clamp Slot from the bottom, and slide each clamp up as far as possible, until the rubber foot on each Clamp contacts the underside of the mounting surface (see FIG. 8).
- Tighten the thumb screws on all Mounting Clamps to secure the MXR-1001 to the surface (FIG. 9):

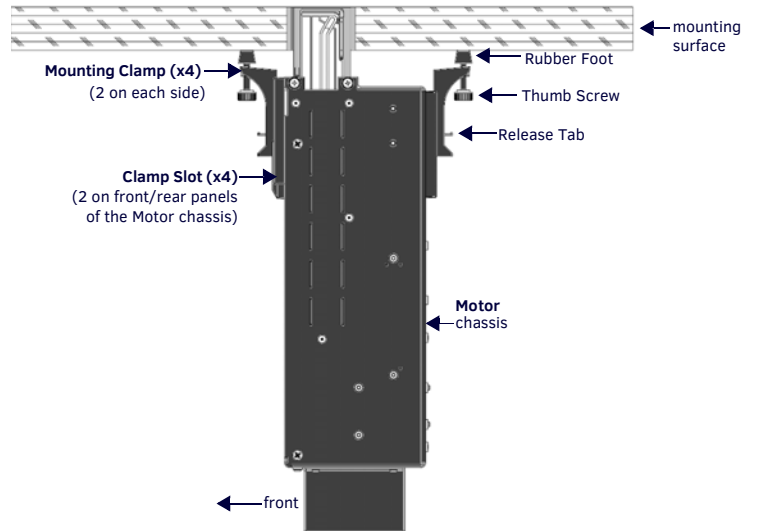


FIG. 9 MXR-1001 - INSTALLED (SIDE VIEW)

5) Connect Ethernet, USB and Power Cables

Once the MXR-1001 is installed, plug in the Power, Ethernet and (optionally) USB cable(s). These connectors are all located on the rear panel of the Motor chassis.

- Power (3-Pin Captive Wire):** Connect to the included PSR2.5 24-pin external power supply. For pinout information on this connector, refer to the *MXR-1001 Hardware Installation Guide*.
- Ethernet (RJ45):** Use a CAT5 Ethernet cable to connect the MXR-1001 to a Gigabit Ethernet Switch. For information on pinouts, signals, and LED blink patterns for this connector, refer to the *MXR-1001 Hardware Installation Guide*.

Note: Clip the included snap-on cable Ferrite onto the Ethernet cable as close as possible to the Ethernet (RJ45) connector on the rear panel.

- USB (Type A, x2):** For firmware upgrades, touch panel file transfers, JPEG image viewer, and HID Peripherals.
- Note: If the MXR-1001 is not connected to a Master, the physical pushbutton can still be used to raise/lower the panel.*

Additional Information

- For more detailed product specifications as well as instructions on removing the Retractable Touch Panel Unit from the Motor chassis (for factory repair), refer to the *MXR-1001 Hardware Installation Guide*.
- For information on configuring the MXR-1001, refer to the *Modero G4 Touch Panels Configuration and Programming Guide*.



© 2017 Harman. All rights reserved. Modero, AMX, AV FOR AN IT WORLD, HARMAN, SAMSUNG, and their respective logos are registered trademarks. Oracle, Java and any other company or brand name referenced may be trademarks/registered trademarks of their respective companies.

AMX does not assume responsibility for errors or omissions. AMX also reserves the right to alter specifications without prior notice at any time. The AMX Warranty and Return Policy and related documents can be viewed/downloaded at www.amx.com.

3000 RESEARCH DRIVE, RICHARDSON, TX 75082 AMX.com | 800.222.0193 | 469.624.8000 | +1.469.624.7400 | fax 469.624.7153
AMX (UK) LTD, AMX by HARMAN - Unit C, Auster Road, Clifton Moor, York, YO30 4GD United Kingdom • +44 1904-343-100 • www.amx.com/eu

Last Revised: 10/02/2017 REV C

