

Overview

The RMBK-1001 10.1" AMX RoomBook Scheduling Touch Panel (FG2265-40) is a standalone scheduling panel that integrates directly with popular room scheduling software without additional system hardware requirements.

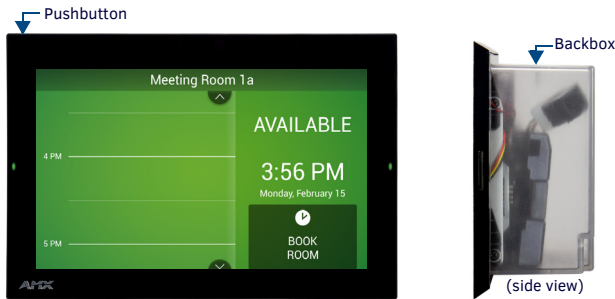


FIG. 1 RMBK-1001

Product Specifications

RMBK-1001 SPECIFICATIONS	
Dimensions (HWD)	6 13/16" x 10 1/16" x 2" (174 mm x 255 mm x 51 mm), with Backbox
Weight	1.95 lbs (.885 Kg), with back box, 1.5 lbs (.680 Kg), without back box
Power Consumption	Full-On: 14.5W (max), Typical: 7.5W, Standby: 4.7W, Shutdown: 0.8W
External Power Supply Required	Optimal performance requires use of one of the following AMX PoE power supplies (not included): <ul style="list-style-type: none"> PS-POE-AF-TC, PoE Injector, 802.3AF Compliant (FG423-83) NXA-ENET8-2POE, Gigabit PoE Ethernet Switch (FG2178-63)
Certifications	<ul style="list-style-type: none"> FCC Part 15 Class A IEC/EN-60950 C-Tick CISPR 22 Class A UL 60950-1 CE EN 55022 Class A and EN 55024 RoHS/WEEE compliant
Environmental	<ul style="list-style-type: none"> Temperature (Operating): 32°F to 104°F (0°C to 40°C) Temperature (Storage): 4°F to 140°F (-20°C to 60°C) Humidity (Operating): 20% to 85% RH Humidity (Storage): 5% to 85% RH Heat Dissipation: On: 22.2 BTU/hr, Standby: 14.3 BTU/hr
Included Accessories	<ul style="list-style-type: none"> Installation Template 10.1" S Modero S (68-2265-03) Backbox, Wall Mount, 10.1" (60-2265-19)

Supported Scheduling Systems

AMX RoomBook Scheduling Panels support **Microsoft Exchange**, **Office 365** and **Google Calendar**. The following versions of each scheduling system are tested and verified:

Microsoft Exchange	Exchange 2010 SP3, Exchange 2013 CU11, Exchange 2016 RTM
Office 365	Office 365 Business Premium and Exchange Online (Plan 1)
Google Calendar	Google Apps for Work

RMBK-1001 Installation

The RMBK-1001 can be installed via several mounting options: Use the included clear plastic Backbox to attach the panel to most standard wall materials. Other optional AMX mounting solutions include the MSA-MMK2-10 Multi Mount Kit, the MSA-AMK2-10 Any Mount Kit, and the CB-MXSA-10 Rough-In Box. Refer to the Quick Start Guide included with each mounting kit for instructions.

Power Over Ethernet

Power for the RMBK-1001 is supplied via Power Over Ethernet (PoE), utilizing an AMX-certified PoE injector such as the PS-POE-AF-TC PoE Injector (FG423-83). Connect the incoming Ethernet cable to the RJ-45 port on the RMBK-1001.

Plastic Backbox

The RMBK-1001 comes with a clear plastic Backbox. This Backbox can be used to mount the touch panel into most standard wall materials. The Backbox can also be used to mount the panel into other mounting options.

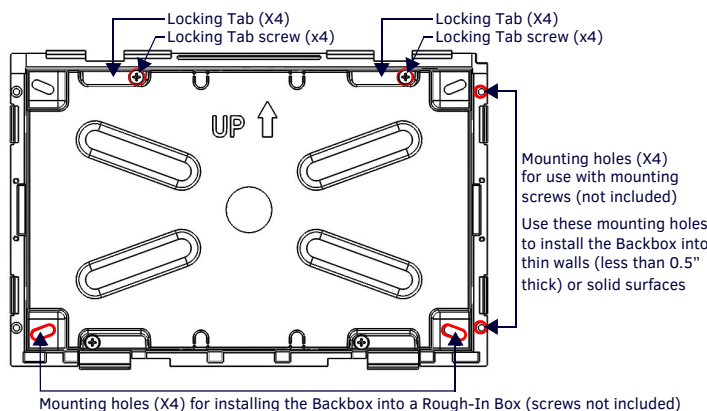


FIG. 2 10.1" BACKBOX (FRONT VIEW)

STEP 1: Install the Plastic Backbox

Use the included Installation Template to determine the placement of the Backbox in the mounting surface. The outside edges of the template are the same dimensions as the touch panel, which allows you to troubleshoot possible conflicts with wall edges, doors, and other potential obstacles.

- After ensuring proper placement, cut an opening in the mounting surface for the Backbox, using the included Installation Template as a guide.
Note: Consider making the actual cutout opening slightly smaller than the provided dimensions. This provides a margin of error if the opening needs to be expanded. Too little wall material removed is always better than too much.
- Thread the incoming cables (Ethernet and Micro-USB) from their terminal locations through the surface opening, leaving enough slack in the wiring to accommodate any repositioning of the panel.
- Remove the Backbox knockouts and thread incoming cables through the knockout holes.
- Gently push the Backbox into the mounting surface.
 - This Backbox uses four Locking Tabs to secure the Backbox to the wall. For typical mounting surfaces, such as drywall, the locking tabs are the primary method for securing the Backbox to the wall.
 - To ensure a stable installation, the thickness of the wall material must be a minimum of .50 inches (1.27cm) and a maximum of .875 inches (2.22cm). The mounting surface should also be smooth and flat. For thin walls or solid surfaces, use mounting screws (not included) - see FIG. 2.
- Extend the Locking Tabs by tightening the Locking Tab screws until snug (FIG. 3):

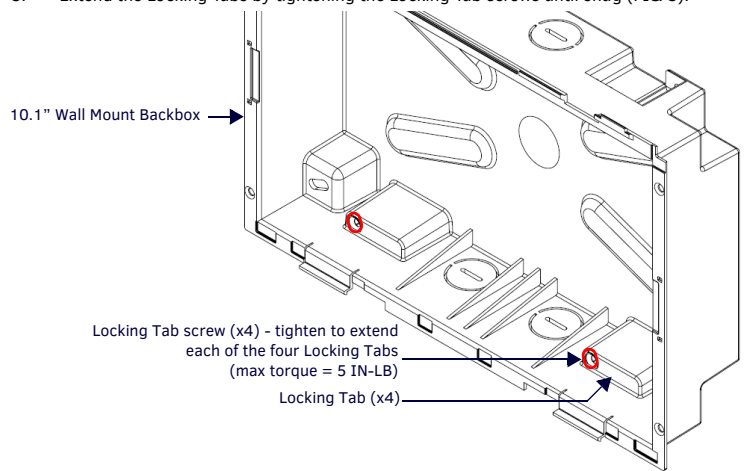


FIG. 3 10.1" BACKBOX - LOCKING TAB AND LOCKING TAB SCREW (X4)

CAUTION: The maximum recommended torque to screw in the locking tabs on the plastic Backbox is 5 IN-LB [56 N-CM]. Excessive torque on the tab screws can strip out the locking tabs or damage the Backbox.

- Extend the Locking Tabs only AFTER the Backbox is inserted into the wall.
- When installing the Backbox, make sure that it is positioned correctly.
- The Backbox is clear to allow visual confirmation that the tabs have been extended and are gripping the wall, as well as in assisting with removal if necessary.

STEP 2: Insert Connectors on the Touch Panel

- Before installing the touch panel into the Backbox, connect the Ethernet and USB cables to the rear of the panel.
- Remove power at the terminal end before continuing with the installation.
Note: Do not disconnect the connectors from the touch panel. The panel must be installed with the attached connectors before being inserted into the mounting surface.

STEP 3: Secure the Touch Panel To the Backbox

The Backbox uses notches and tabs on the front edges (top and bottom) to secure the panel into place. Follow the steps below to install the panel into the Backbox, starting the upper edge of the touch panel:

UPPER TABS FIRST

- Center the top edge of the touch panel against the upper outside edge of the Backbox and latch the top of the panel onto the Backbox top-hooks (FIG. 4):

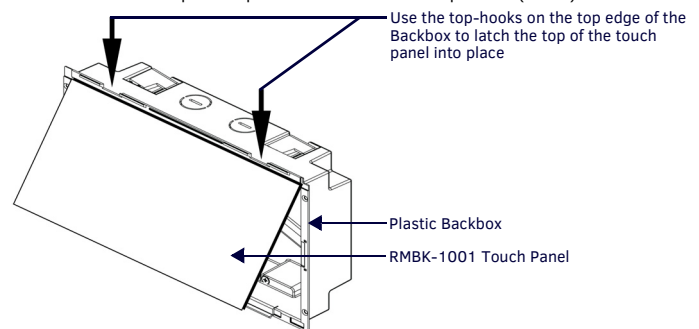


FIG. 4 ENGAGING THE TOP EDGE OF THE PANEL WITH THE TOP HOOKS ON THE BACKBOX

- Gently press the top edge of the touch panel into place to engage the panel's notches and the top-hooks on the Backbox.

LOWER TABS - Gently Snap Into Place

- Swing the bottom edge of the touch panel into position until it rests against the lower outside edge of the Backbox.
Note: If a gap is observed between the panel and the Backbox, or binding is felt while locking down the panel, stop and verify there are no cables in the way. Do not force the panel into position, or the touch screen or the panel electronics may be damaged.
- Gently press the bottom edge of the panel gently but firmly and ONLY IN THE PLACES INDICATED BELOW until the tabs click into place to secure the panel (FIG. 5):

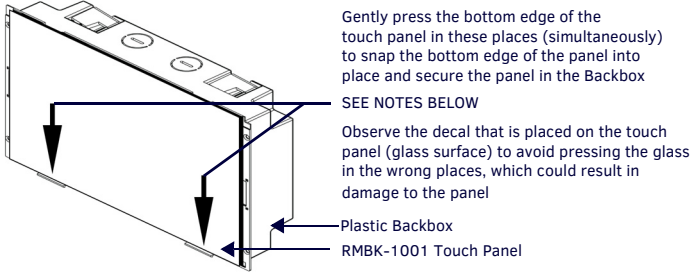


FIG. 5 SNAPPING THE BOTTOM EDGE OF THE PANEL INTO THE BACKBOX

- Reconnect the terminal Ethernet and USB to their respective locations on either the Ethernet port or NetLinX Master.

Removing the RMBK-1001 from the Backbox

The tabs on the bottom edge of the Backbox lock down the RMBK-1001 and must be unlatched in order to remove the touch panel from the Backbox. To do this, you'll need a thin probe such as a straightened paper clip, or the (optional) MXSA-REM-TL Bezel Removal Tool:

Note: The (optional) MXSA-REM-TL, Bezel Removal Tool (FG5968-99) provides a convenient method to release these clips. The Bezel Removal Tool makes it easy to locate the appropriate release points for each panel size. Refer to the MXSA-REM-TL Quick Start Guide for details.

- With a thin probe, carefully press straight into the access holes on the bottom of the bezel (near the center of the bottom tabs) to disconnect the two bottom clips (FIG. 6).

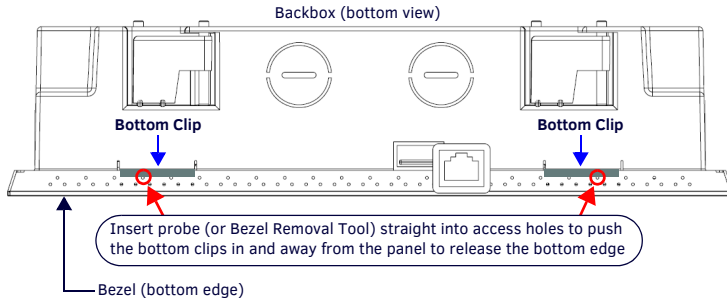


FIG. 6 RMBK-1001/BACKBOX ASSEMBLY

- Grasp the bottom of the panel and pull gently outward until the side of the panel is free of the snap. Use your other hand to stabilize the front of the touch panel (FIG. 7):

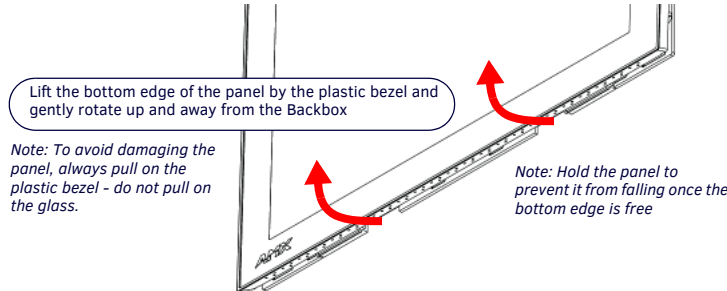


FIG. 7 RMBK-1001/BACKBOX ASSEMBLY (RELEASING THE BOTTOM EDGE OF THE PANEL)

Note: Always pull on the frame of the touch panel. NEVER pull on the glass edge.

- With the bottom edge of the panel free, carefully lift up and out to release the tabs on the top edge of the panel.

Configuring AMX RoomBook Panels

Scheduling Panel Setup Wizard

AMX RoomBook panels are configured via the *Scheduling Panel Setup Wizard* - a one-time, panel-based configuration wizard. The Scheduling Panel Setup Wizard is automatically launched the first time the AMX RoomBook panel is powered on.

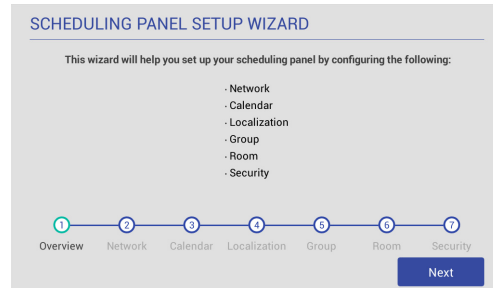


FIG. 8 SCHEDULING PANEL SETUP WIZARD - OVERVIEW PAGE

Use the Setup Wizard to configure the scheduling panel's connection to the network and scheduling system, specify localization options, configure AMX RoomBook Groups, specify security settings, and set room-level options for each panel. Follow the on-screen instructions and press **Next** to visit each page.

For details on using the *Scheduling Panel Setup Wizard*, refer to the *AMX RoomBook Scheduling Touch Panels Instruction Manual*.

- Settings made in the Setup Wizard can be edited later via the panel's on-board SCHEDULER SETTINGS pages.
- AMX RoomBook panels also feature ADVANCED SETTINGS that provide the ability to configure various features on the panels.

Accessing the Scheduler Settings and Advanced Settings Pages

Both the SCHEDULER SETTINGS and ADVANCED SETTINGS pages are accessed via buttons on the SETTINGS window (FIG. 9):

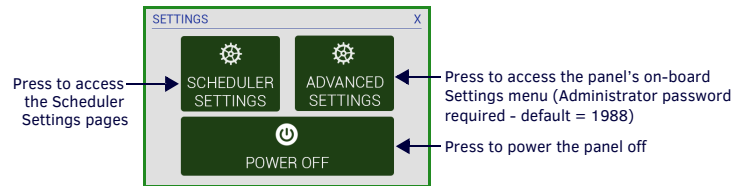


FIG. 9 SETTINGS WINDOW

To invoke the SETTINGS window, use a paper-clip or similar tool to press and hold the recessed pushbutton located on the top edge of the panel (left side - see FIG. 1) for 5 seconds. Scheduler Settings and Advanced Settings are both password-protected. The default Administrator password is "1988".

Scheduler Settings

Scheduler-specific settings made in the Setup Wizard can be edited later via the panel's on-board Scheduler Settings pages. To open the Scheduler Settings pages, press SCHEDULER SETTINGS in the SETTINGS window.

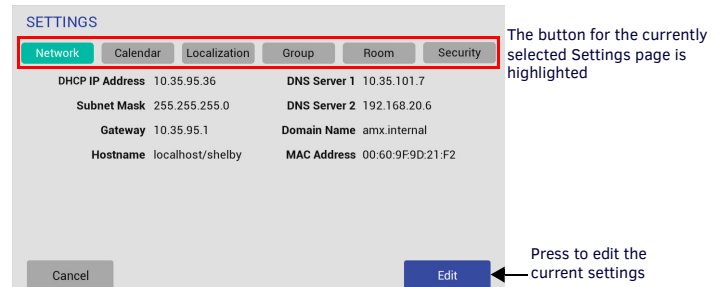


FIG. 10 SETTINGS PAGES (NETWORK SETTINGS PAGE SHOWN)

Advanced Settings

AMX RoomBook Scheduling panels also feature Advanced Settings that provide the ability to configure touch panel-specific options. To open the Advanced Settings pages, press ADVANCED SETTINGS in the SETTINGS window.

Powering Off the Panel

Note that the SETTINGS window also provides the option to gracefully power down the touch panel. Press POWER OFF to power down the panel.

Additional Documentation

For detailed installation and configuration instructions, refer to the *AMX RoomBook Scheduling Touch Panels Instruction Manual*.

