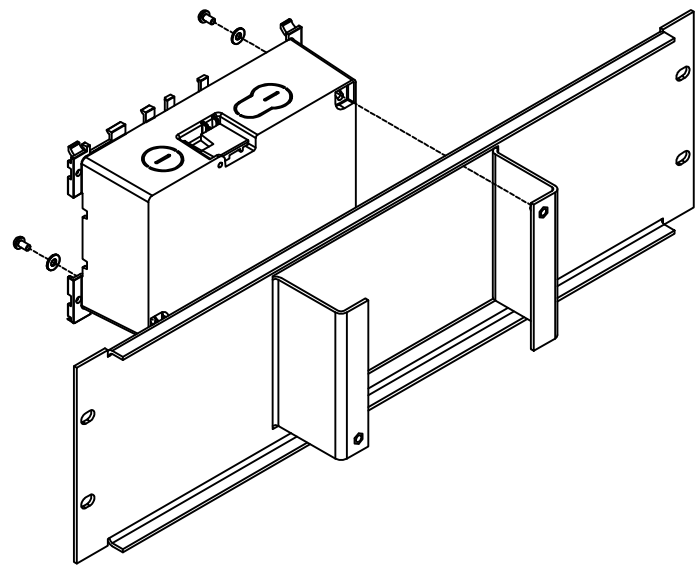
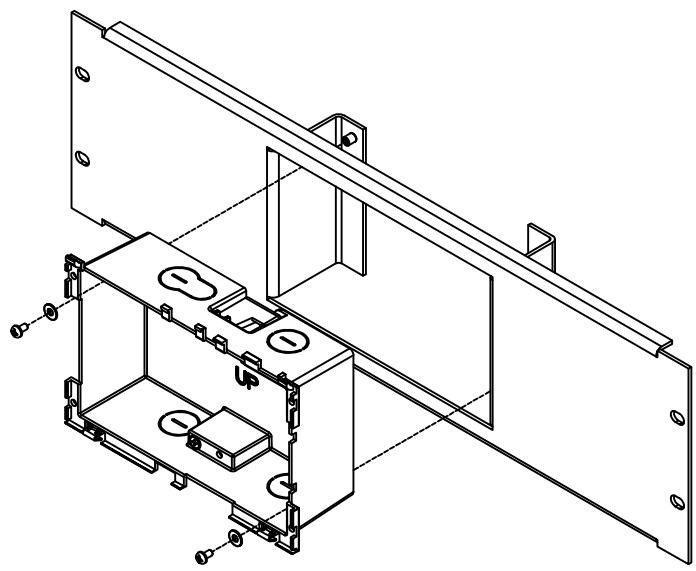
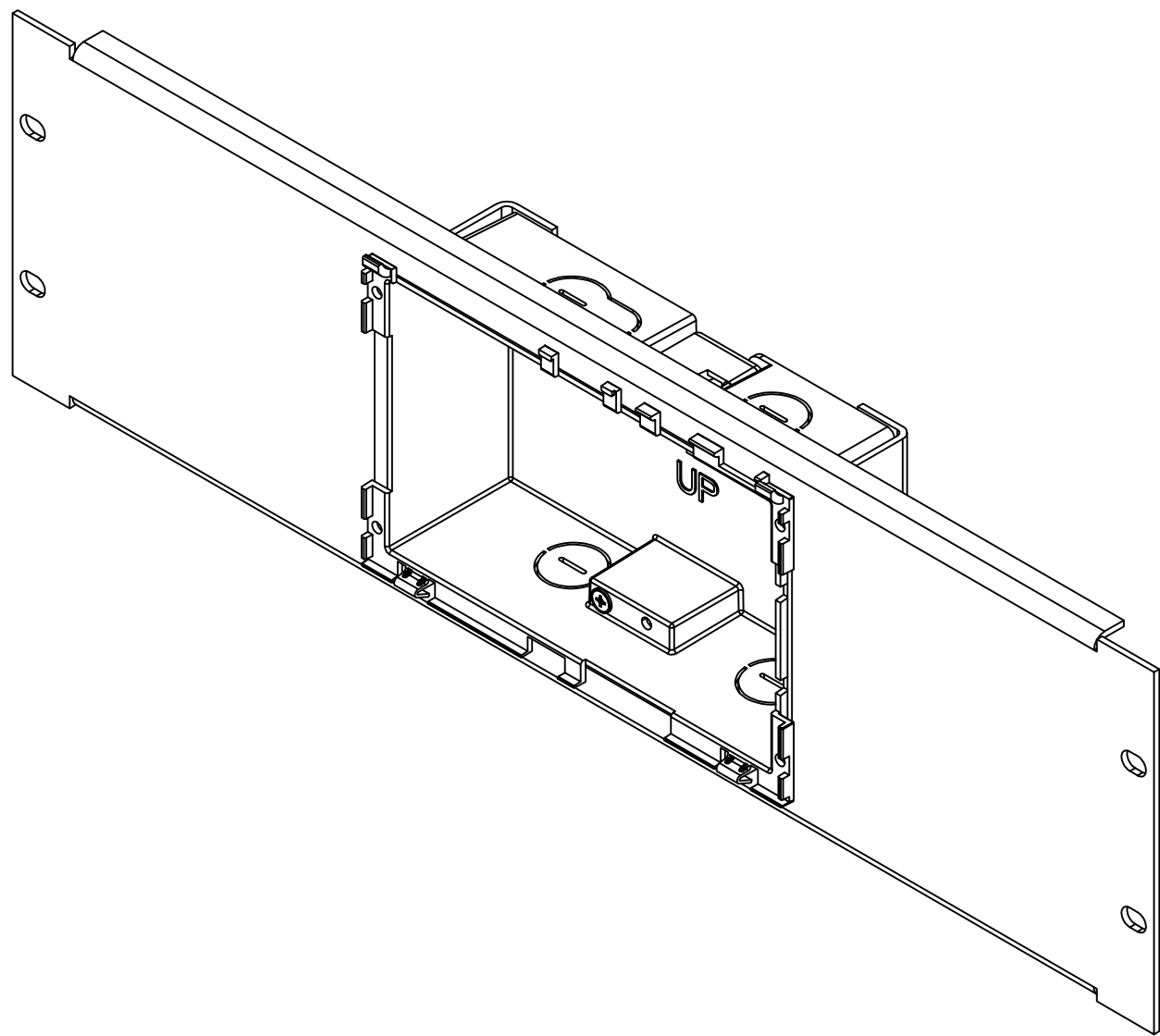


REVISIONS				
REV	EDN	DESCRIPTION	DATE	APPROVED
A	20304	RELEASE TO PRODUCTION	12/12/12	J.LUTHER



UNLESS OTHERWISE STATED, THE ARTICLE SPECIFIED SHALL BE RoHS COMPLIANT PER EU DIRECTIVE 2002/95/EC

NOTICE: This drawing is the property of AMX LLC. All information contained herein that is not generally known shall be confidential except to the extent the information has been previously established. This drawing may not be copied, reproduced, or used as the basis for manufacture or sale without written permission.

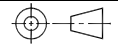
UNLESS OTHERWISE SPECIFIED

TOLERANCE ON DECIMAL DIMENSIONS: .X = ± 0.1
 .XX = ± 0.01
 .XXX = ± 0.005
 ANGLES: ± 0.5°

SURFACE FLATNESS .003 TIR PER LINEAR INCH ALL DIMENSIONS IN INCHES.

DO NOT SCALE DRAWING

THIRD ANGLE PROJECTION



AMX LLC
 3000 RESEARCH DRIVE
 RICHARDSON, TX 75082

SPECIFICATION, RACK MOUNT PANEL, MXD-700-P, 7" MODERO WALL TOUCH PANEL

SIZE D	DWG. NO. SP5968-43	REV. A
SCALE 1/1	ACAD FILE NO.	SHEET 1 OF 1