

A

B

C

D

E

F

SP5968-51

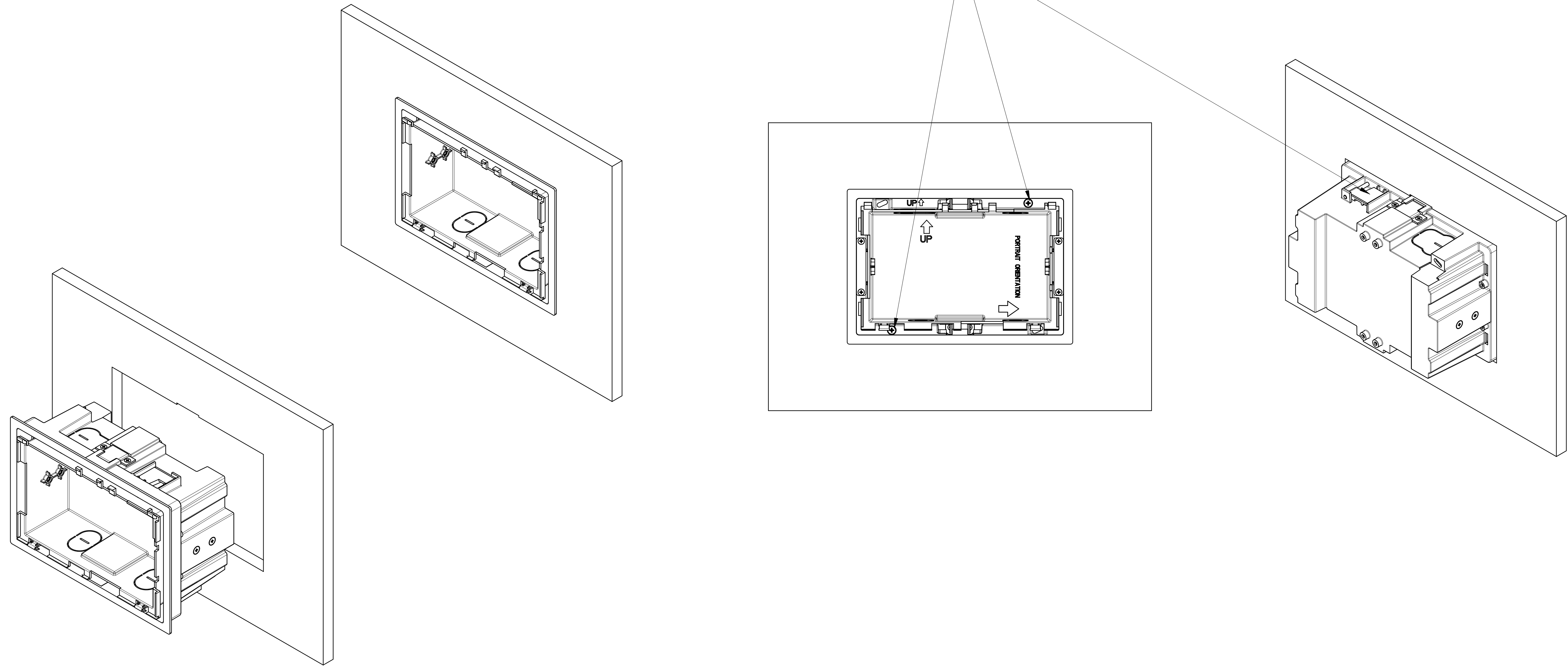
H

REVISIONS				
REV	ECN NUMBER	DESCRIPTION	DATE	APPROVED
A	21597	INITIAL RELEASE	08-27-13	J. PORTER

NOTES: UNLESS OTHERWISE SPECIFIED

1. THIS DRAWING SHALL BE USED WITH CAD MODEL FOR COMPLETE PRODUCT DEFINITION. REFER TO TABLE ON BOTTOM LEFT OF FORMAT.

TURN TO DEPLOY AND TIGHTEN INSTALLATION CLAMPS. TIGHTEN UNTIL SECURE



DRYWALL SURFACE INSTALL
 (USING LOCKDOWN WINGS)
DRYWALL NOT TO SCALE
DO NOT USE THIS DRAWING AS A TEMPLATE

UNLESS OTHERWISE STATED, THE ARTICLE SPECIFIED SHALL BE RoHS COMPLIANT PER EU DIRECTIVE 2002/95/EC

NOTICE: This drawing is the property of AMX LLC. All information contained herein this is not generally known shall be confidential except to the extent the information had been previously established. This drawings may not be copied, reproduced, or used as the basis for manufacture or sale without written permission.

UNLESS OTHERWISE SPECIFIED
 TOLERANCE ON DECIMAL DIMENSIONS: .X = ±0.1
 .XX = ±0.02
 .XXX = ±0.010
 ANGLES: ±1.0
 SURFACE FLATNESS .003 TIR PER LINEAR INCH
 ALL DIMENSIONS IN INCHES.
 DO NOT SCALE DRAWING



MOUNTING SPECIFICATION,
MXA-FMK-07, FLSH MNT KIT
MODERO X 7

REF. PRO/E ASSEM FILE = SP5968-51
REF. PRO/E ASSEM REV. = A

SIZE D	DRAWING NUMBER SP5968-51	REV A
SCALE 1:2	SHEET 1 OF 2	

A

B

C

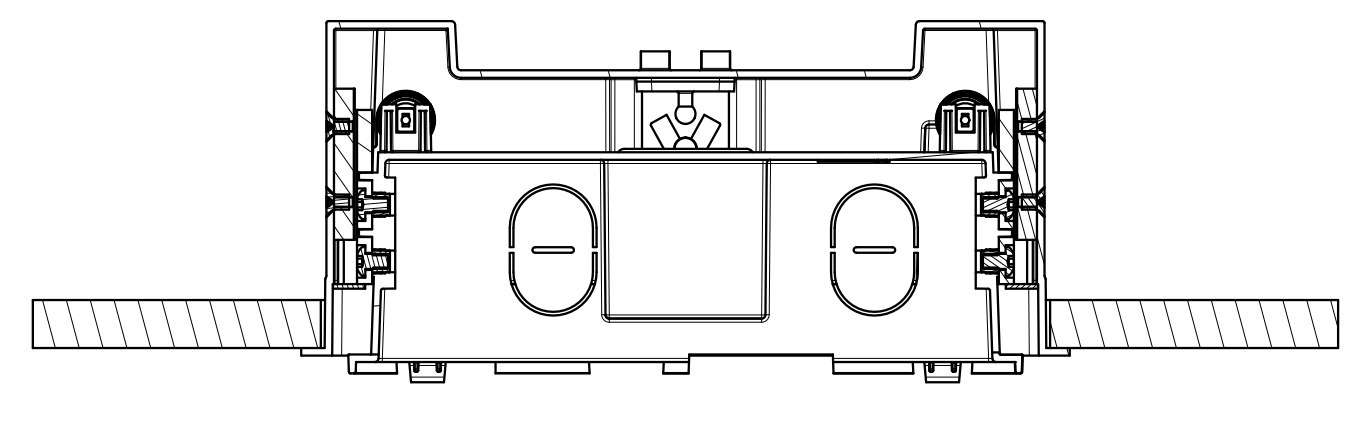
D

E

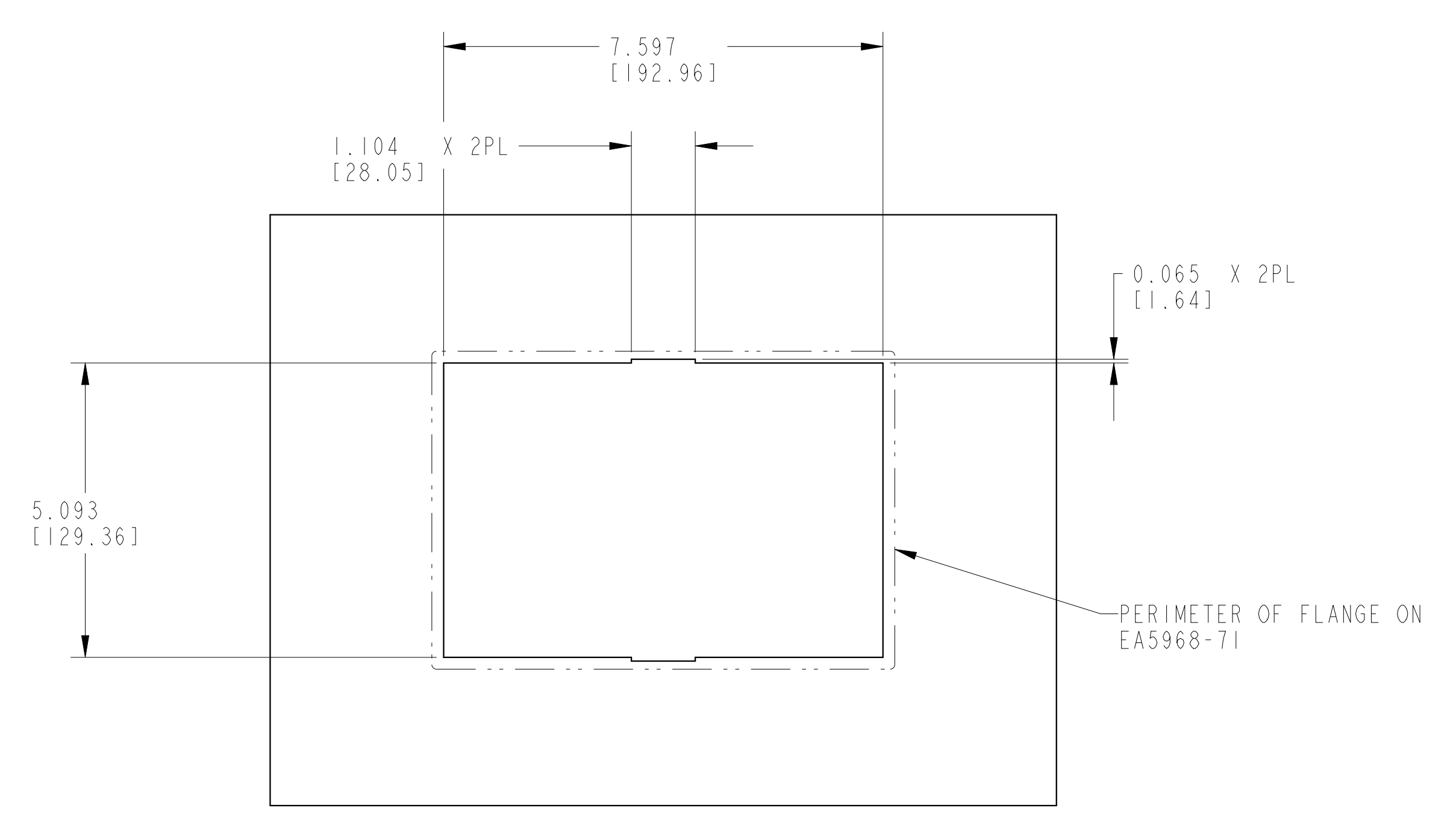
F

G

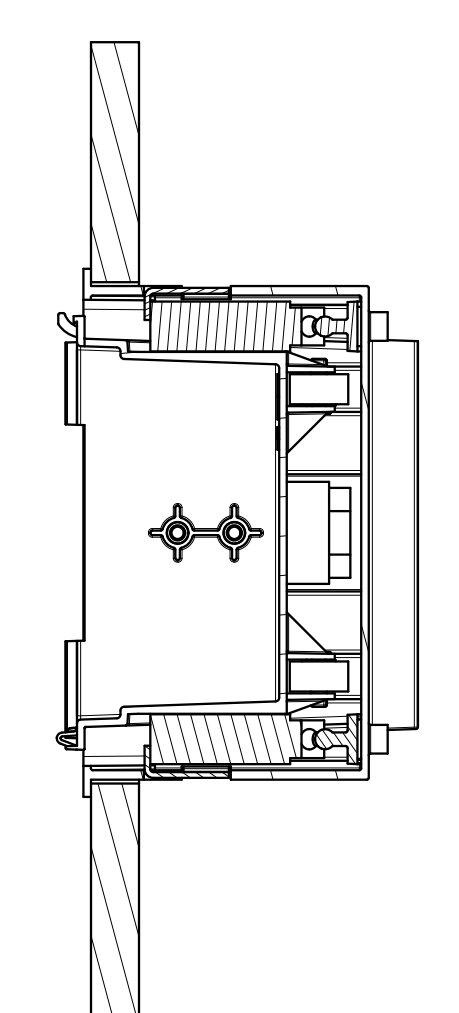
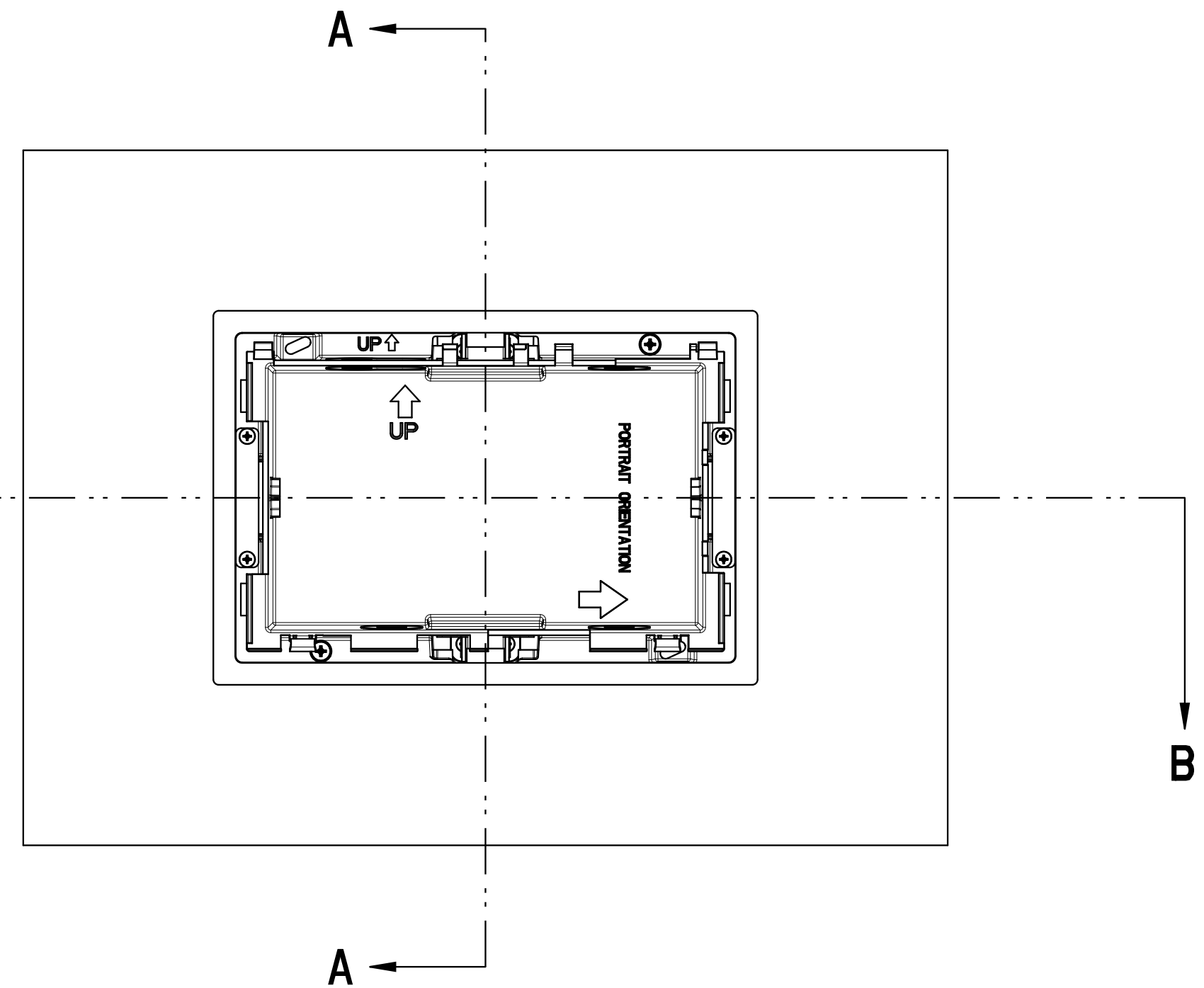
H



SECTION B-B



MOUNTING SURFACE CUTOUT DIMENSIONS
USE 68-5968-06 CUTOUT TEMPLATE



SECTION A-A

NOTICE: This drawing is the property of AMX LLC. All information contained herein this is not generally known shall be confidential except to the extent the information had been previously established. This drawings may not be copied, reproduced, or used as the basis for manufacture or sale without written permission.

AMX		AMX LLC 3000 RESEARCH DRIVE RICHARDSON, TX 75082
MOUNTING SPECIFICATION, MXA-FMK-07, FLSH MNT KIT MODERO X 7		
SIZE D	DRAWING NUMBER SP5968-51	REV A
SCALE 1:2		SHEET 2 OF 2