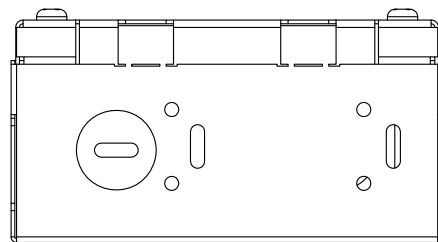
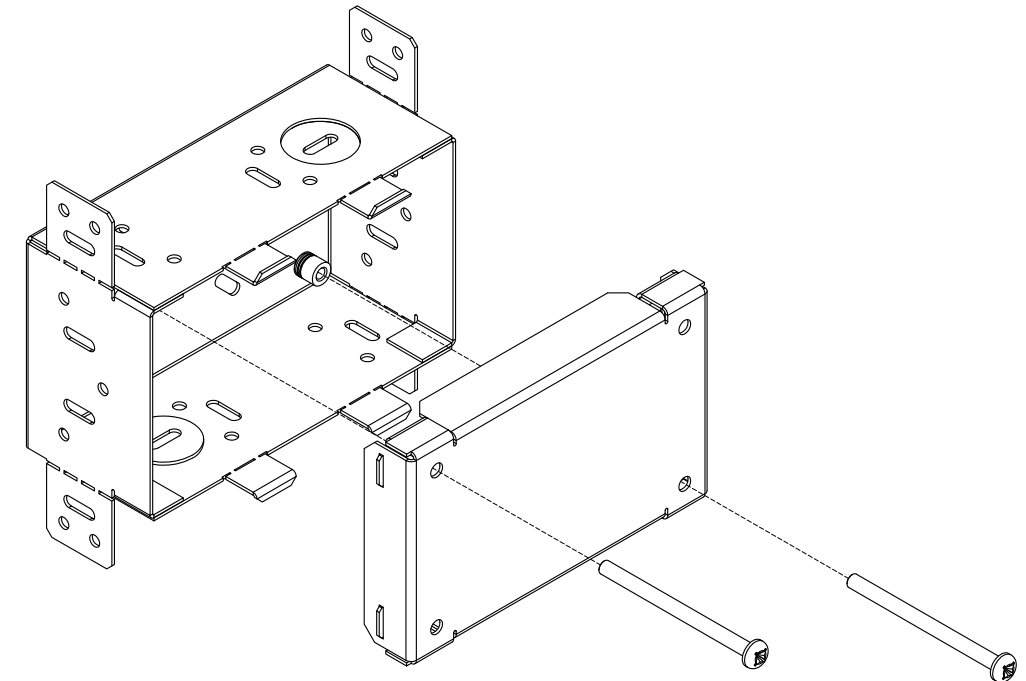
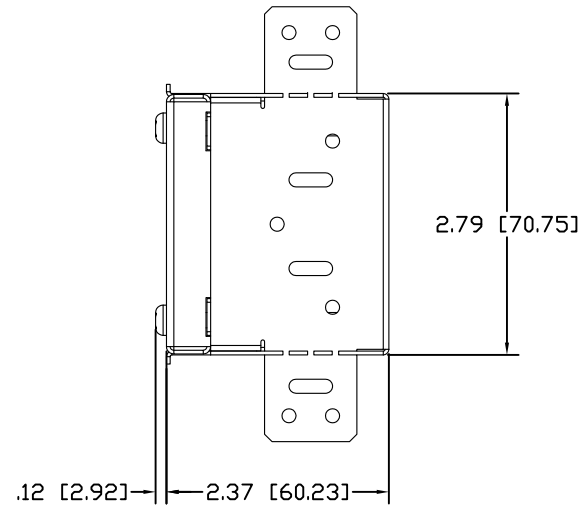
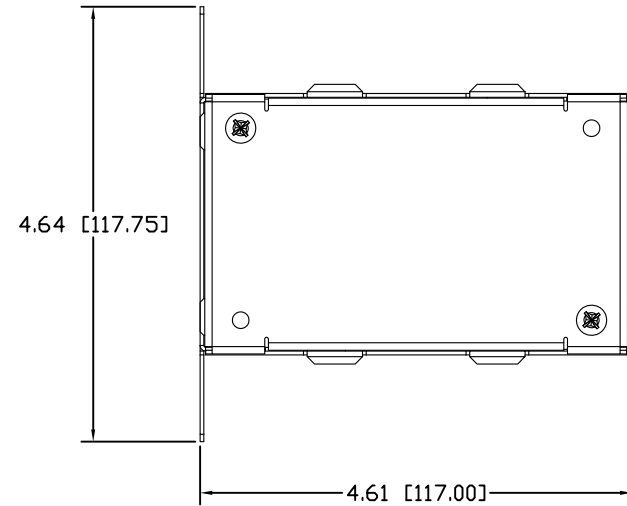
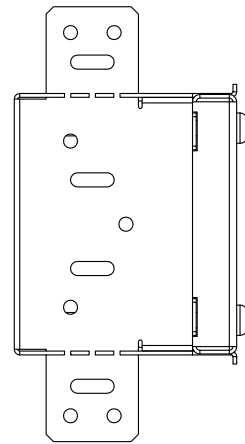
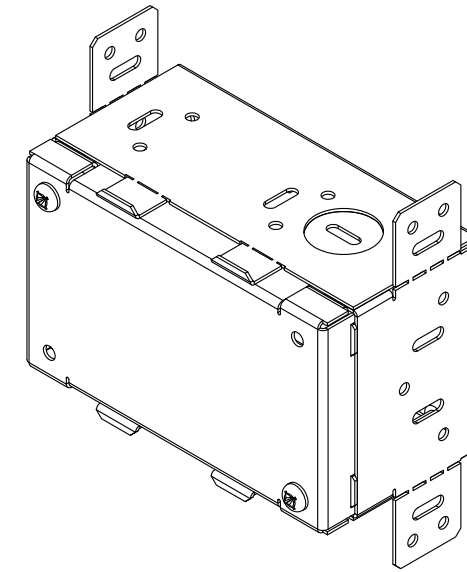
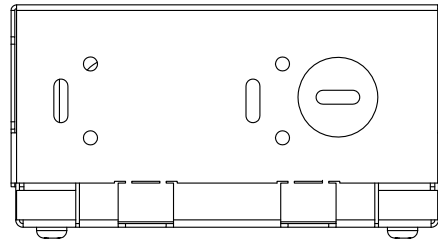


NOTES, UNLESS OTHERWISE SPECIFIED:
 1. DIMENSIONS IN [] ARE IN MILLIMETERS



AMX TM		AMX LLC 3000 RESEARCH DRIVE RICHARDSON, TX 75082	
PICTORIAL, ROUGH-IN BOX, MODERO S 4.3			
SIZE D	DWG. NO. 95-2265-10	REV. B	
SCALE N/A	ACAD FILE NO. 95-2265-10_B	SHEET 1 OF 1	