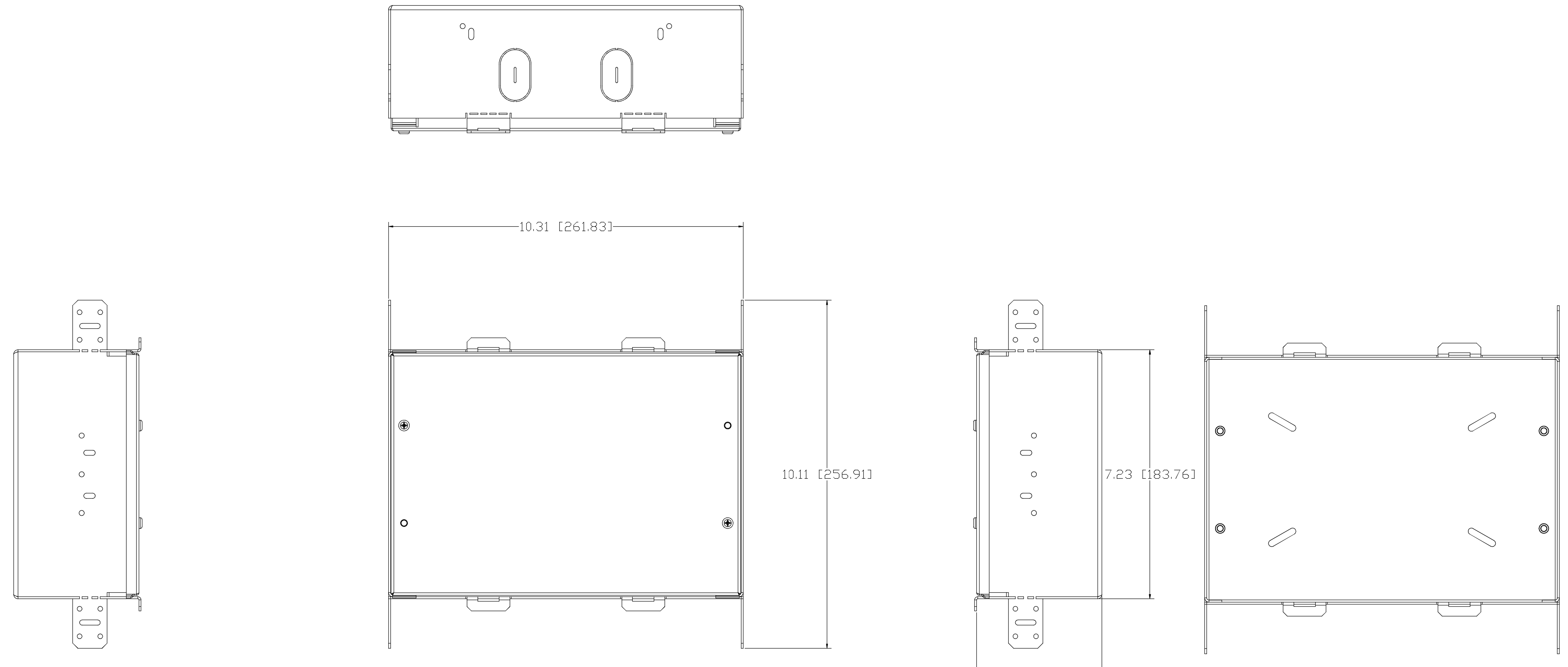
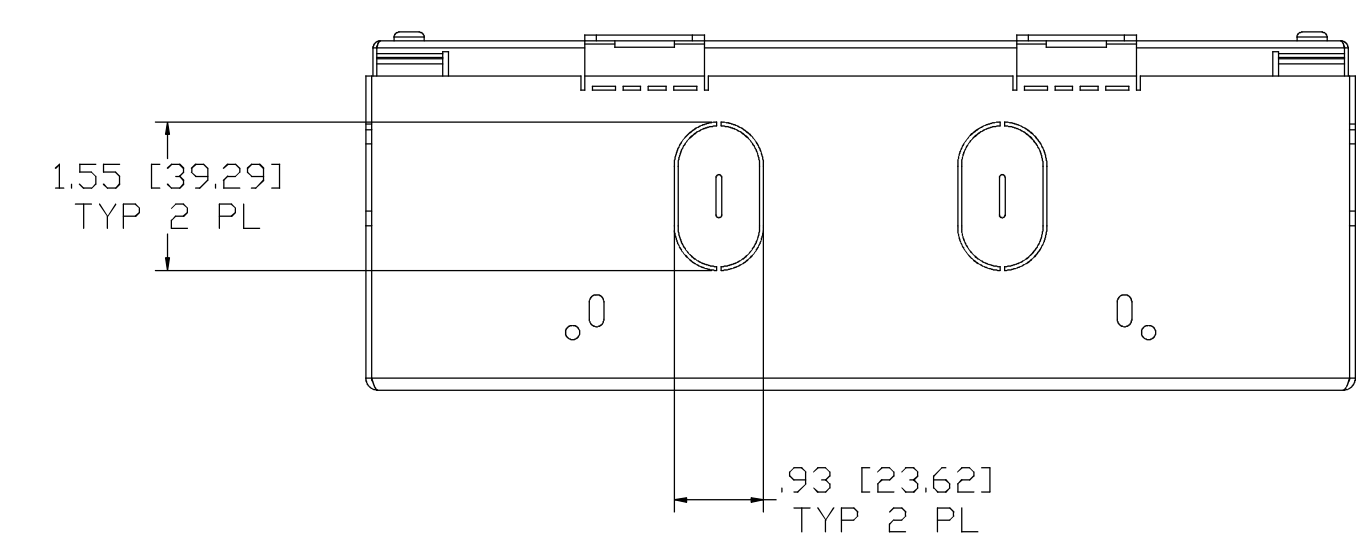


NOTES, UNLESS OTHERWISE SPECIFIED:
 1. DIMENSIONS IN [] ARE IN MILLIMETERS

REVISIONS				
REV	ECN	DESCRIPTION	DATE	APPROVED
A	22460	INITIAL RELEASE	06/12/14	J. PORTER
B	22712	FIXED DIMS, CHANGED SCALE	08/19/14	J. PORTER



FRONT VIEW,
 COVER AND
 SPACERS REMOVED



UNLESS OTHERWISE STATED, THE ARTICLE
 SPECIFIED SHALL BE RoHS COMPLIANT
 PER EU DIRECTIVE 2002/95/EC

NOTICE: This drawing is the property of AMX LLC. All information contained herein that is not generally known shall be confidential except to the extent the information has been previously established. This drawing may not be copied, reproduced, or used as the basis for manufacture or sale without written permission.

UNLESS OTHERWISE SPECIFIED
 TOLERANCE ON DECIMAL DIMENSIONS: .X = ±0.1
 .XX = ±0.01
 .XXX = ±0.005
 ANGLES: ±0.5°
 SURFACE FLATNESS .003 TIR PER LINEAR INCH
 ALL DIMENSIONS IN INCHES.
DO NOT SCALE DRAWING
 THIRD ANGLE PROJECTION

AMX		AMX LLC 3000 RESEARCH DRIVE RICHARDSON, TX 75082
PICTORIAL, CB-MXP10-F, FLUSH ROUGH-IN BOX, MODERO X 10.1		
SIZE D	DWG. NO. 95-5968-84	REV. B
SCALE 1/1	ACAD FILE NO. 95-5968-84_REV-B	SHEET 1 OF 1