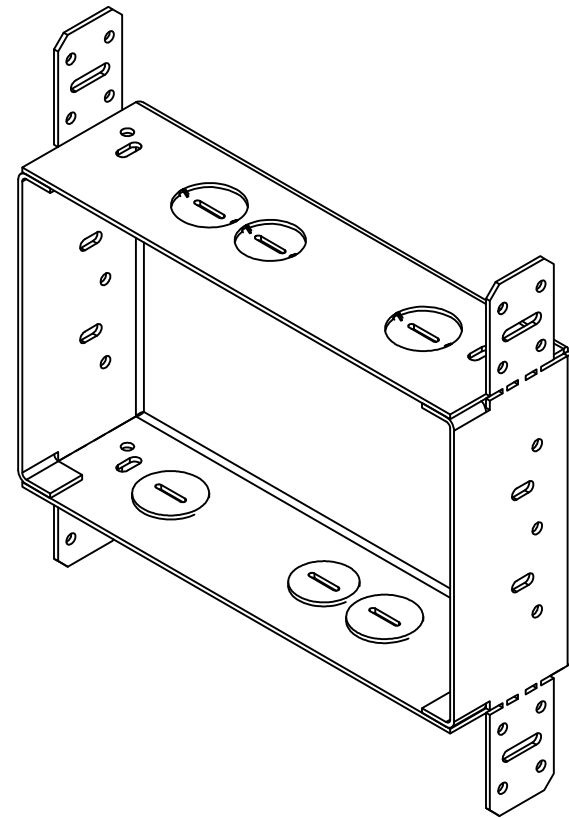
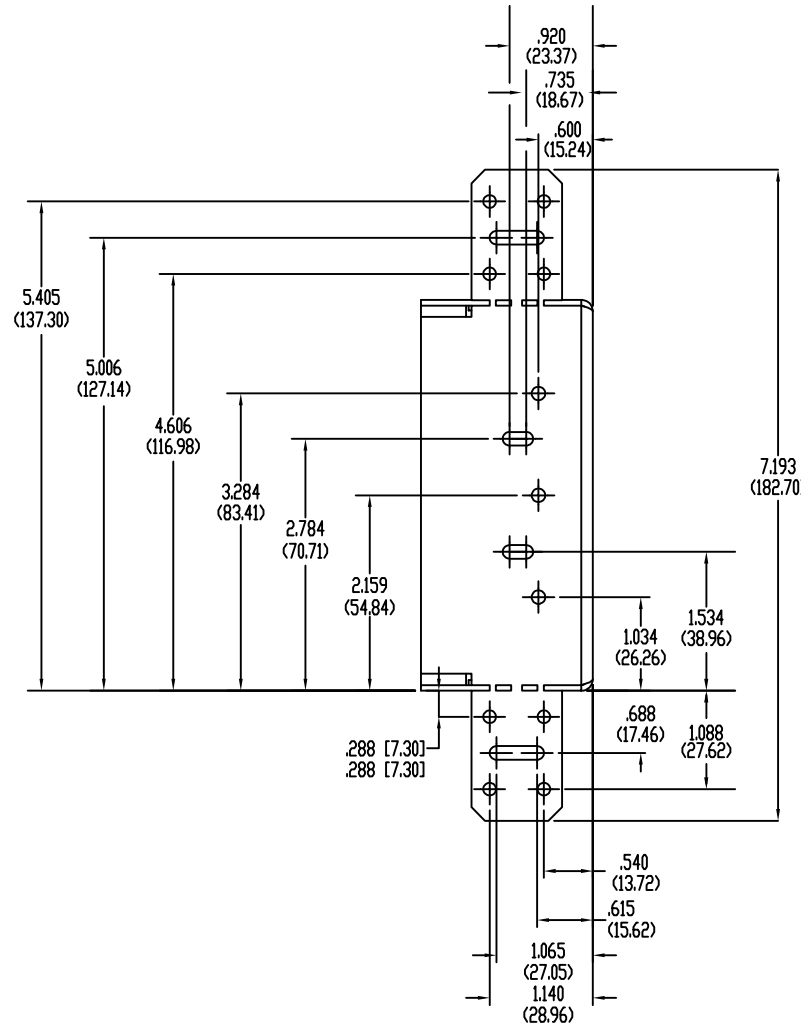
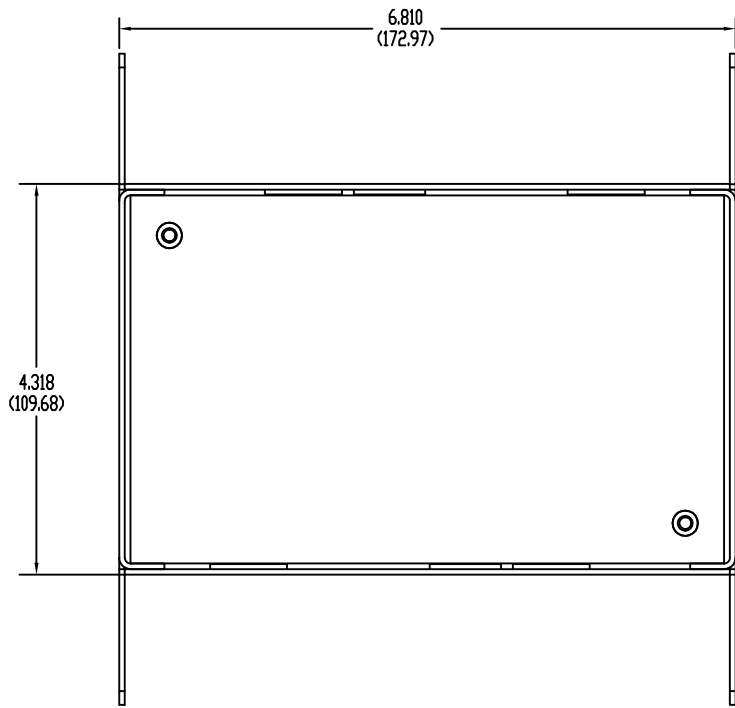
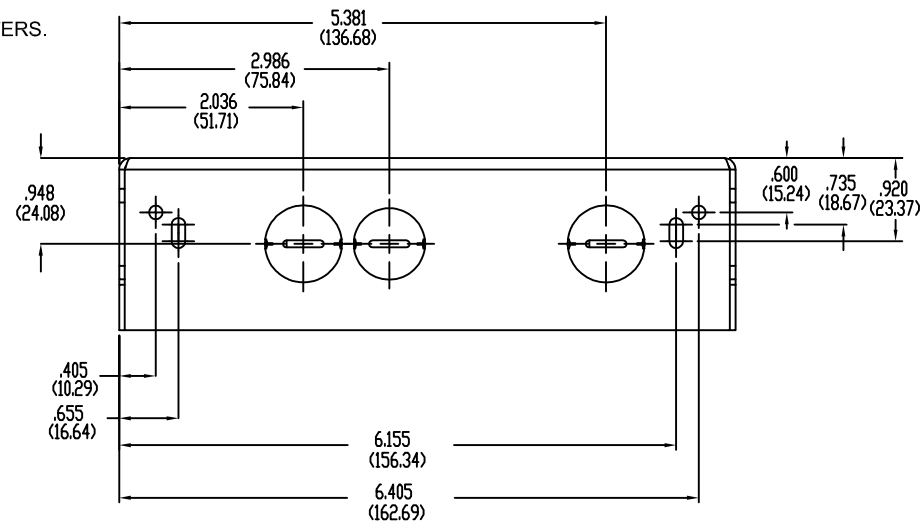


NOTES: UNLESS OTHERWISE SPECIFIED:

1. DIMENSIONS IN () ARE IN MILLIMETERS.



FRONT COVER REMOVED

REVISIONS				
REV	ECN	DESCRIPTION	DATE	APPROVED
A	19266	RELEASE TO PRODUCTION	03/09/11	JL

NOTE: 62-5968-37 (FRONT COVER, ROUGH-IN BOX NOT SHOWN ON THIS SHEET FOR CLARITY. FOR OVERALL DIMENSIONS WITH COVER INSTALLED SEE SHEET 2.

NOTICE: This drawing is the property of AMX LLC. All information contained herein that is not generally known shall be confidential except to the extent the information has been previously established. This drawing may not be copied, reproduced, or used as the basis for manufacture or sale without written permission.

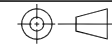
UNLESS OTHERWISE SPECIFIED

TOLERANCE ON DECIMAL DIMENSIONS: .X = ± 0.1
.XX = ± 0.01
.XXX = ± 0.005
ANGLES: ± 0.5°

SURFACE FLATNESS .003 TIR PER LINEAR INCH
ALL DIMENSIONS IN INCHES.

DO NOT SCALE DRAWING

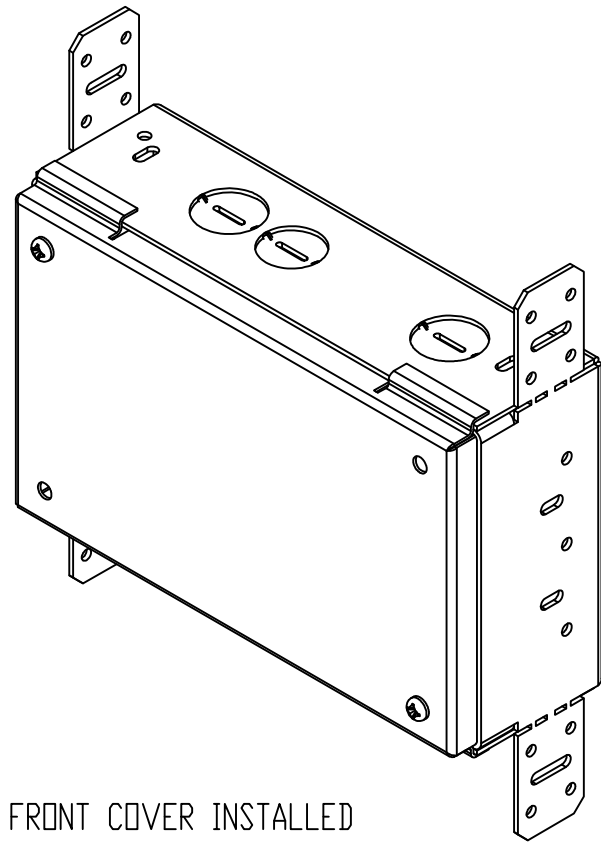
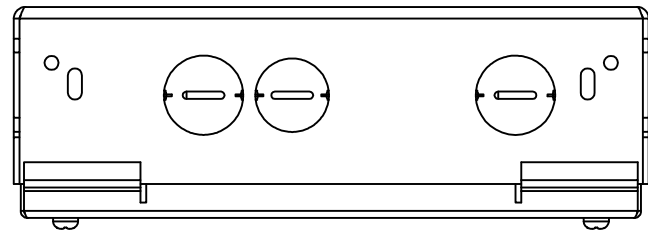
THIRD ANGLE PROJECTION



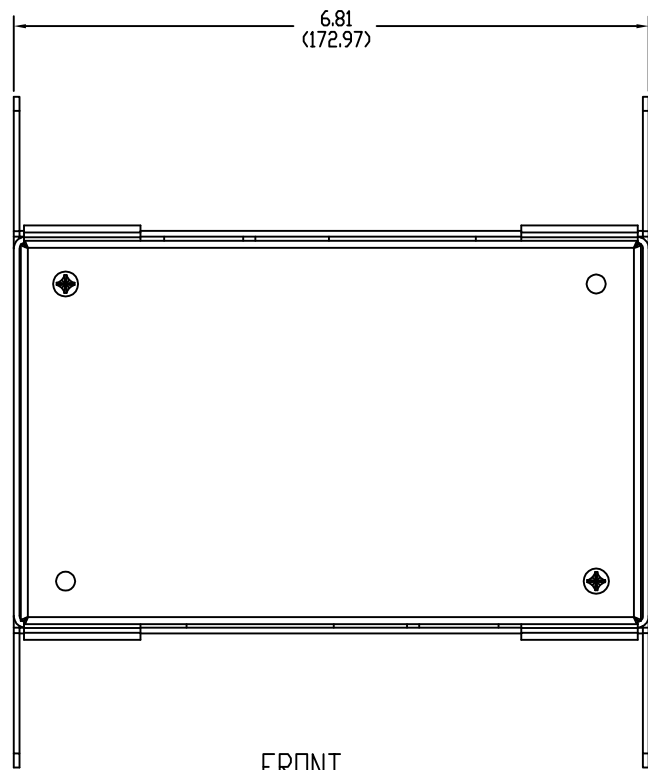
AMX LLC
3000 RESEARCH DRIVE
RICHARDSON, TX 75082

PICTORIAL, BOX, ROUGH-IN, 7.0" WALL

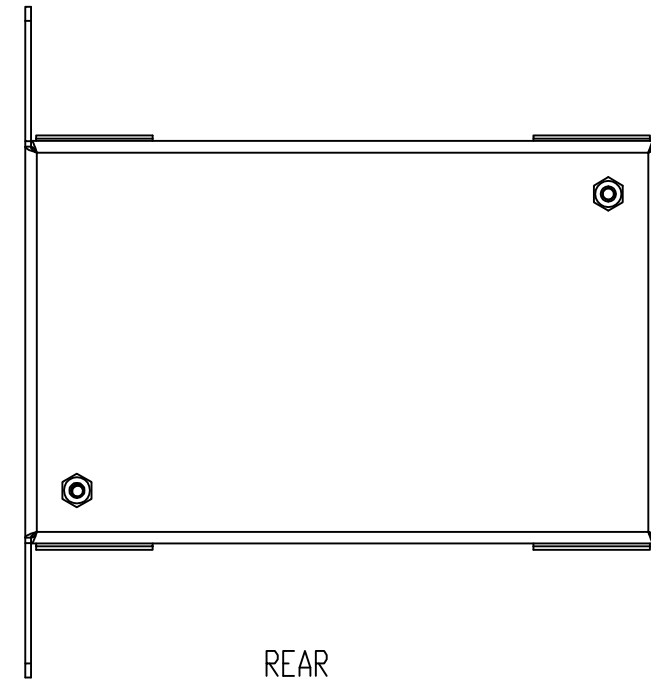
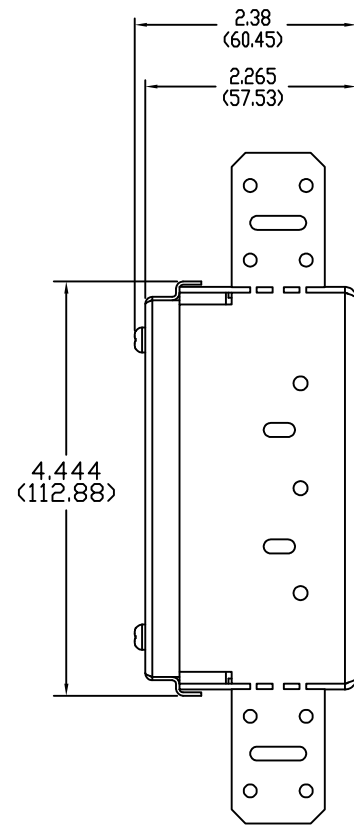
SIZE D	DWG. NO. 95-5968-35	REV. A
SCALE 1/1	ACAD FILE NO.	SHEET 1 OF 2



FRONT COVER INSTALLED



FRONT



REAR

NOTICE: This drawing is the property of AMX LLC. All information contained herein that is not generally known shall be confidential except to the extent the information has been previously established. This drawing may not be copied, reproduced, or used as the basis for manufacture or sale without written permission.

		AMX LLC 3000 RESEARCH DRIVE RICHARDSON, TX 75082	
		PICTORIAL, BOX, ROUGH-IN, 7.0" WALL	
SIZE D	DWG. NO. 95-5968-35	REV. A	
SCALE 1/1	ACAD FILE NO.	SHEET 2 OF 2	