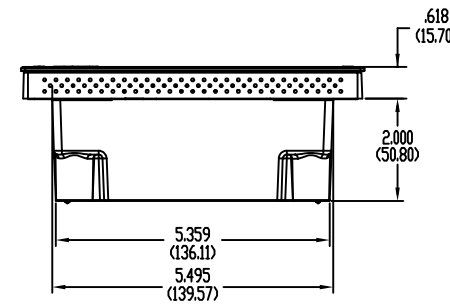
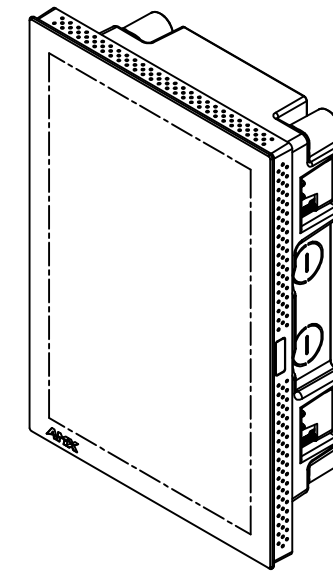
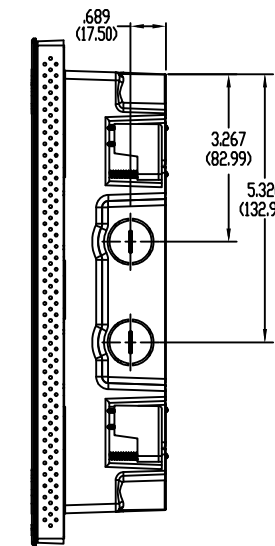
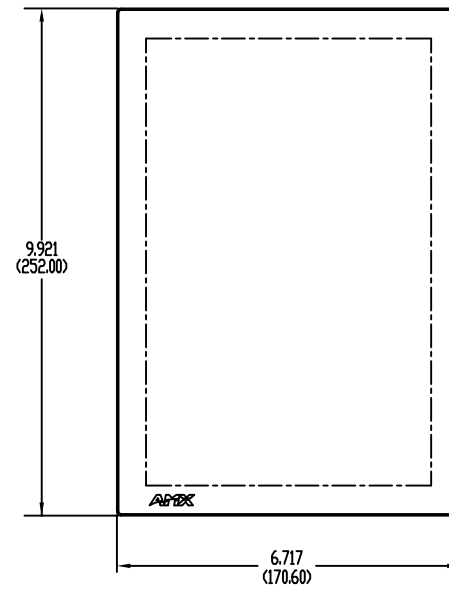
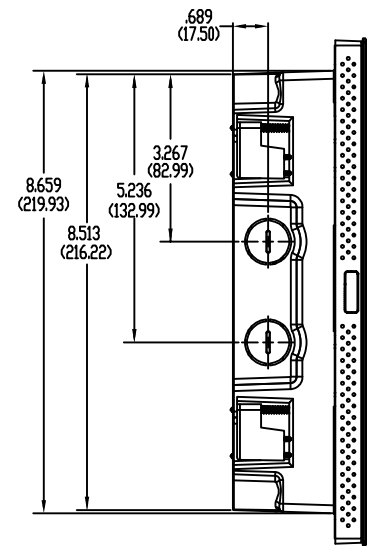
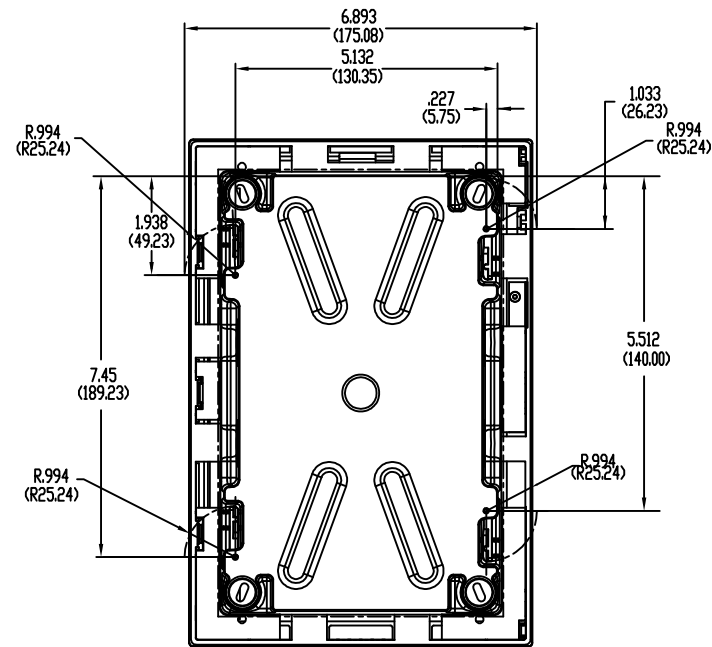


NOTES: UNLESS OTHERWISE SPECIFIED:

1. DIMENSIONS IN () ARE IN MILLIMETERS.

REVISIONS				
REV	ECN	DESCRIPTION	DATE	APPROVED
A	19266	RELEASE TO PRODUCTION	03/09/11	JL



NOTICE: This drawing is the property of AMX LLC. All information contained herein that is not generally known shall be confidential except to the extent the information has been previously established. This drawing may not be copied, reproduced, or used as the basis for manufacture or sale without written permission.

UNLESS OTHERWISE SPECIFIED

TOLERANCE ON DECIMAL DIMENSIONS: .X = ± 0.1
.XX = ± 0.01
.XXX = ± 0.005
ANGLES: ± 0.5°

SURFACE FLATNESS .003 TIR PER LINEAR INCH
ALL DIMENSIONS IN INCHES.

DO NOT SCALE DRAWING

THIRD ANGLE PROJECTION



AMX LLC
3000 RESEARCH DRIVE
RICHARDSON, TX 75082

**PICTORIAL, MXD-1000-P,
10.1" MODERO WALL TOUCH PANEL**

SIZE D

DWG. NO.

95-5968-07

REV. A

SCALE 1/1

ACAD FILE NO.

SHEET 1 OF 1