

A

B

C

D

E

F

95-5968-04

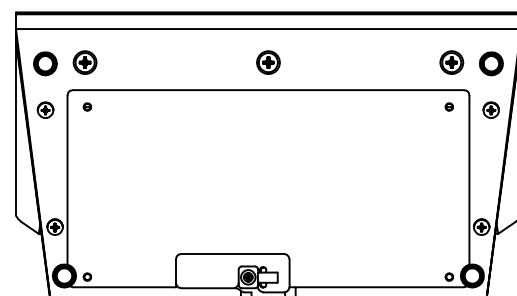
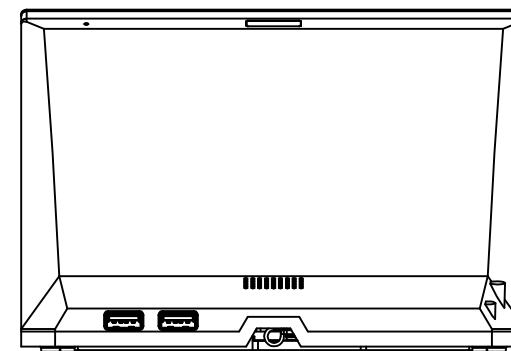
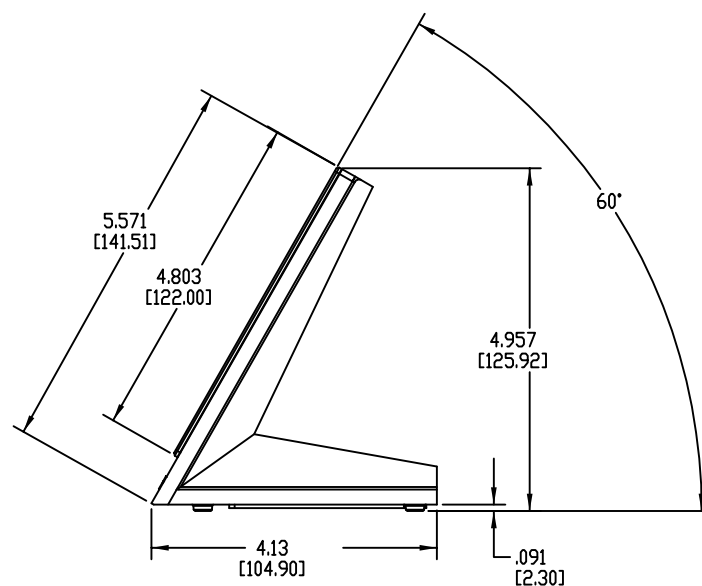
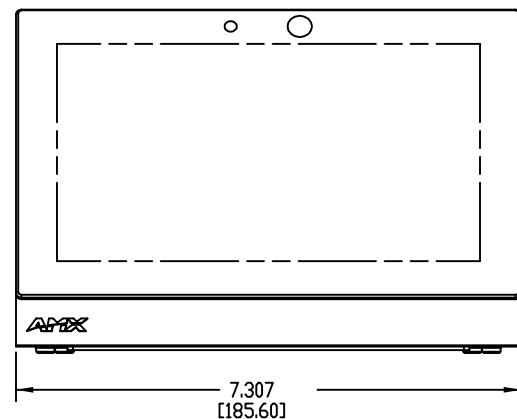
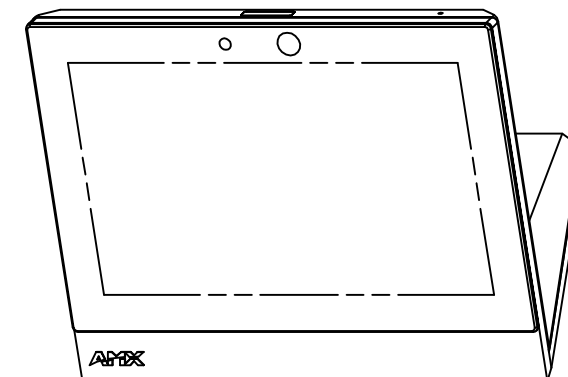
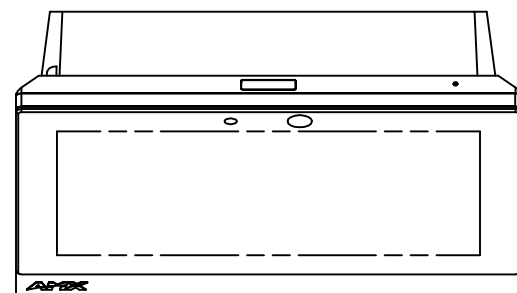
1

H

REVISIONS

REV	EDN NUMBER	DESCRIPTION	DATE	APPROVED
A	19266	RELEASE TO PRODUCTION	01-Mar-12	JL

NOTES: UNLESS OTHERWISE SPECIFIED
 1. DIMENSIONS IN [] ARE IN MILLIMETERS.



UNLESS OTHERWISE STATED, THE ARTICLE SPECIFIED SHALL BE RoHS COMPLIANT PER EU DIRECTIVE 2002/95/EC

NOTICE: This drawing is the property of AMX LLC. All information contained herein this is not generally known shall be confidential except to the extent the information had been previously established. This drawings may not be copied, reproduced, or used as the basis for manufacture or sale without written permission.

UNLESS OTHERWISE SPECIFIED

TOLERANCE ON DECIMAL DIMENSIONS: .X = ±0.1
 .XX = ±0.02
 .XXX = ±0.010
 ANGLES: ±1.0

SURFACE FLATNESS .003 TIR PER LINEAR INCH

ALL DIMENSIONS IN INCHES.
 DO NOT SCALE DRAWING

THIRD ANGLE PROJECTION



AMX LLC
 3000 RESEARCH DRIVE
 RICHARDSON, TX 75082

PICTORIAL DRAWING,
 MODERO 7.0" PANORAMIC
 TABLETOP TOUCH PANEL

SIZE D	DRAWING NUMBER 95-5968-04	REV A
SCALE 3/4	SHEET 1 OF 1	

A

B

C

D

E

F

G

H