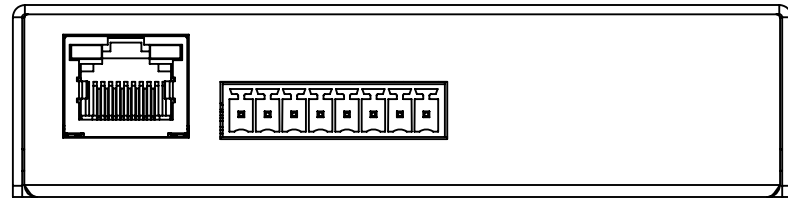
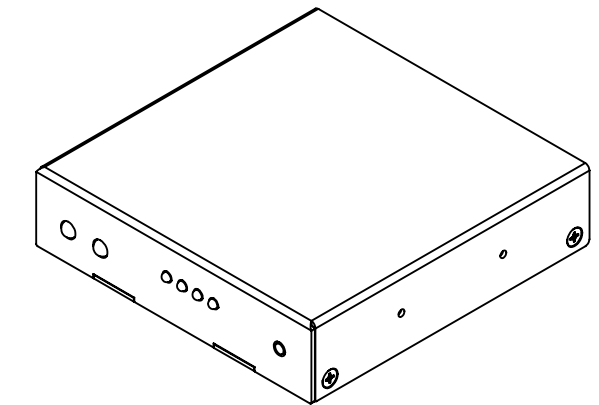
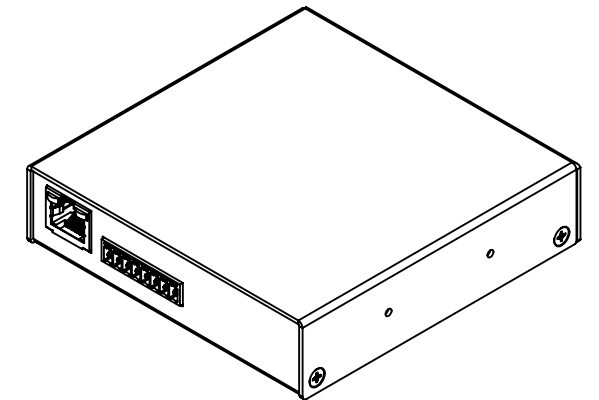
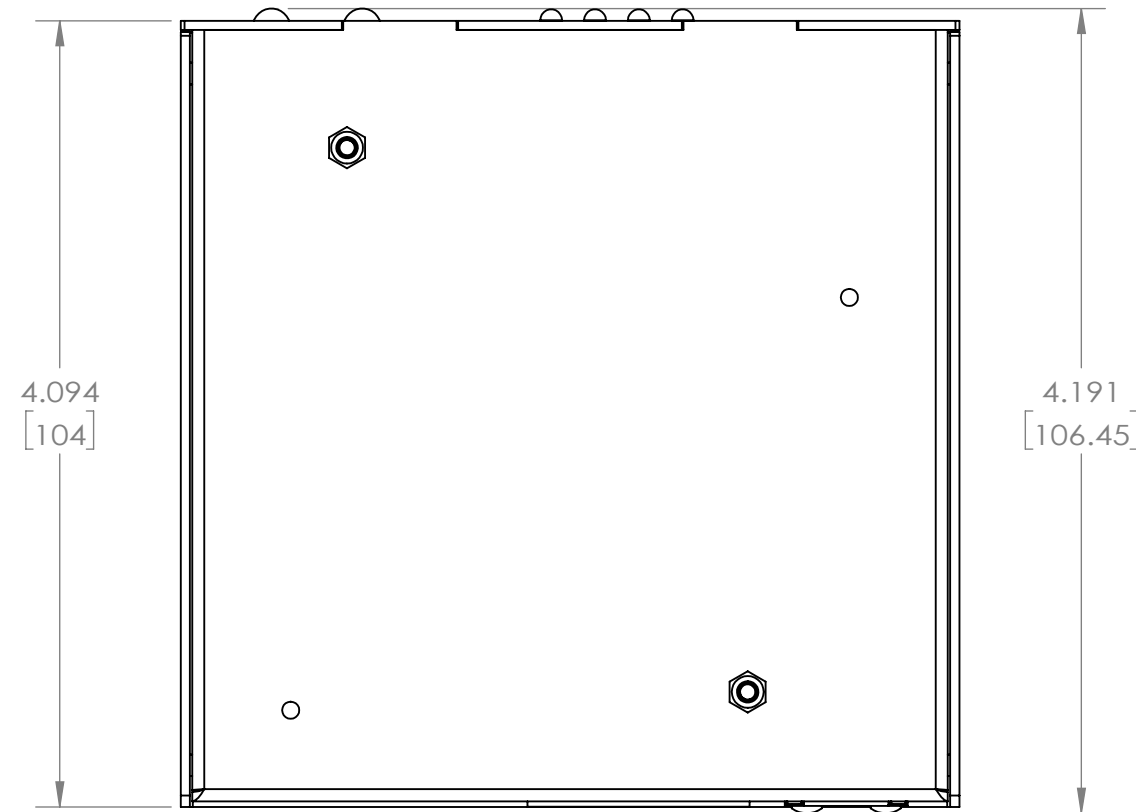
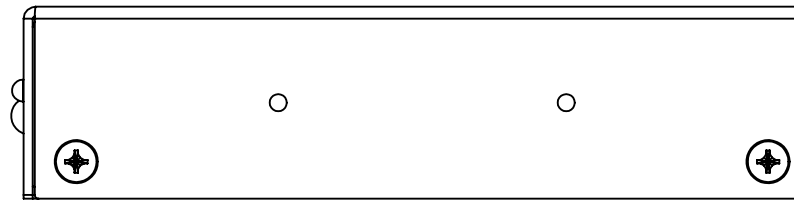
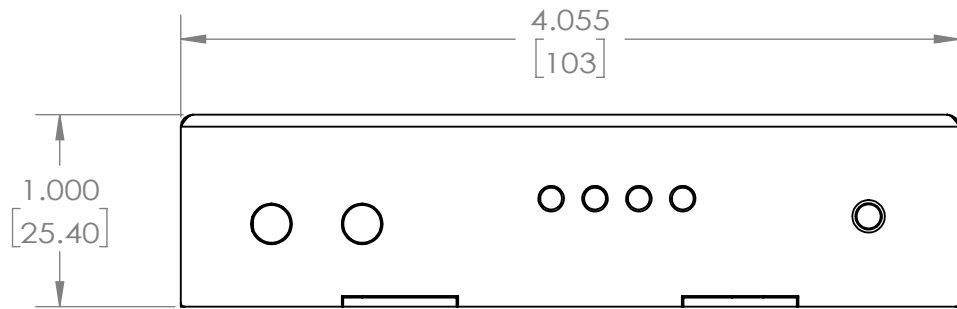


REVISION HISTORY			
DATE	REV.	DESCRIPTION	BY
2023/4/20	A	Initial release	PXiong



BACK VIEW



NOTES:

- Unit: inch / [mm]
- Detailed dimension refer to DXF/DWG files

2023 © HARMAN INTERNATIONAL INDUSTRIES, INCORPORATED. ALL RIGHTS RESERVED. DO NOT USE, DISCLOSE, SELL, REPRODUCE, PUBLISH OR MODIFY WITHOUT AUTHORIZED WRITTEN HARMAN PERMISSION.

**ROHS**  
RESTRICTION OF HAZARDOUS SUBSTANCES  
ALL MATERIALS USED IN THIS PART MUST BE ROHS COMPLIANT  
SUPPLIER SHALL PROVIDE A CERTIFICATE OF ROHS COMPLIANCE WITH THE FIRST ARTICLE.

THIRD ANGLE PROJECTION

DRAWN BY  
PXiong

DESIGNED BY  
PXiong

PROJECT MANAGER/ENGINEER

DATE  
2023/4/4

DATE  
2023/4/4

DIMENSIONS SHOWN ARE FOR REFERENCE AND INSPECTION ONLY. REFER TO CAD MODEL PROVIDED WITH THIS DRAWING FOR OVERALL DEFINITION OF PART GEOMETRY.

DATE  
2023/4/4

NO.  
AMX-CEB001

SIZE  
B

SCALE  
1:1

DO NOT SCALE DRAWING

**HARMAN**

TITLE  
DWG, PICTORIAL, CE-IRS4

REV  
A

SHEET OF  
1 1