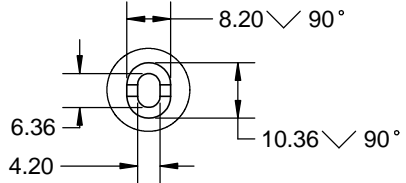
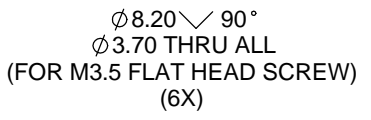
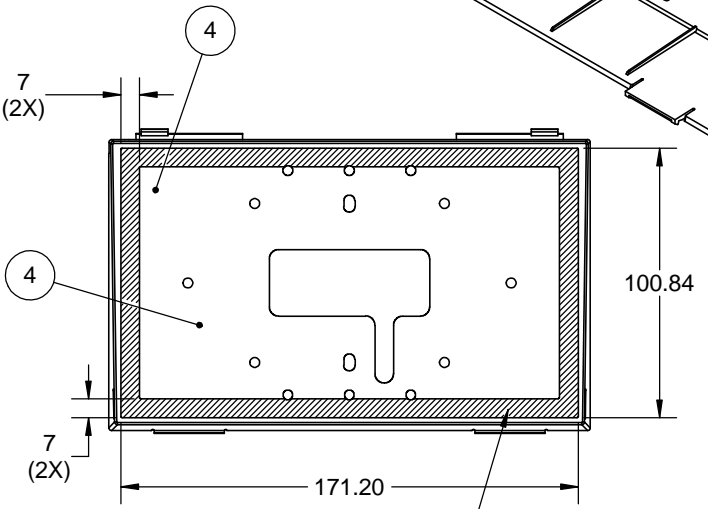
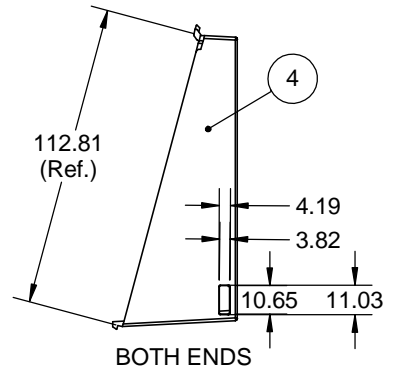
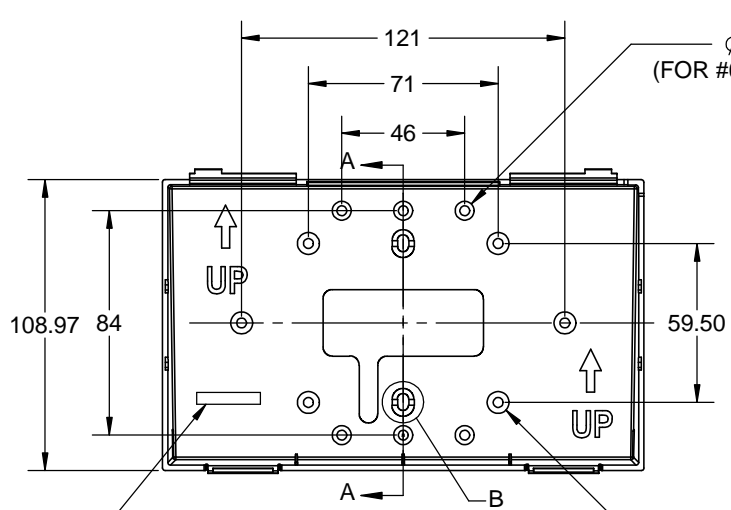
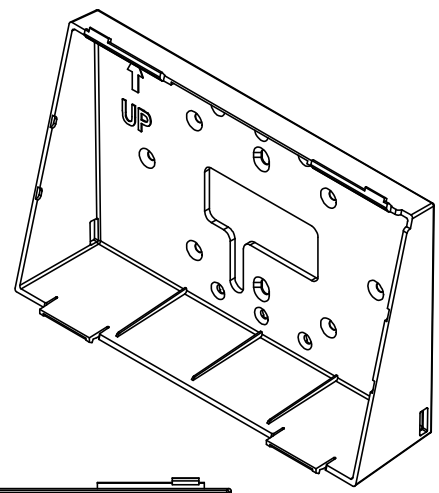
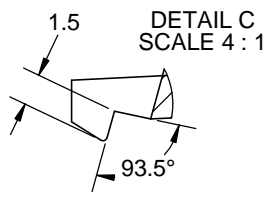
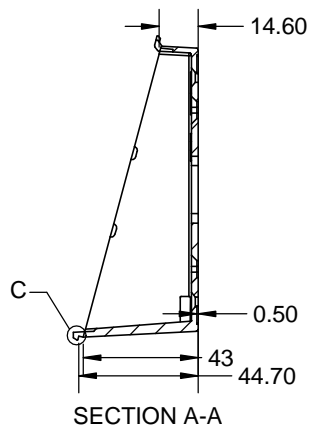
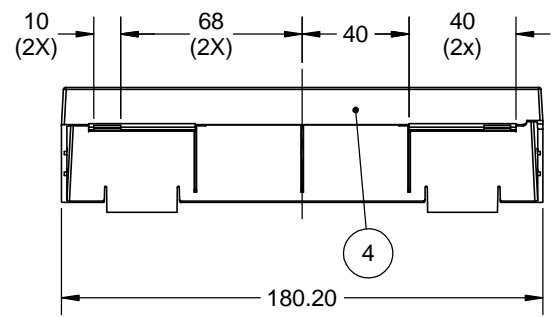


0 1 2 3 4 5 6 7 8 9

REVISION HISTORY					
DATE	REV.	PREV. PART	DESCRIPTION	ZONE	BY
08/07/2018	A		Initial release		FRK Zheng
11/08/2018	B		Moved the cutout and add ribs on the bottom wall.		FRK.ZHENG
03/18/2019	C		Change the thickness of ribs to 0.9mm and material on shoulder and hooks on the bottom for buckling well.		FRK.ZHENG

F
E
D
C
B
A



DETAIL B
SCALE 1:1
(2 PLACES)

- NOTES:
1. Material: PC/ABS(GE CYCOLOY C 6600-GY2441) or equivalent approved by Harman Engineering.
 2. Typical Wall Thickness: 2.0mm
 3. Typical Draft: 1° unless otherwise specified.
 4. Typical cosmetic surface texture: MT11020
 5. Cosmetic surfaces to be free of imperfections within Ra 1.6 micron or better unless otherwise specified.
 6. Cosmetic surfaces are to be free of ejector and/or gate marks. Screw bosses not to be used for ejector pins. Ejector and gate locations subject to approval by HARMAN.
 7. Part to be free of flash and vestige within 0.1 mm unless otherwise specified.
 8. Part to be debossed with HARMAN part number and revision indicated on this drawing, where shown. Revision to be debossed using removable insert pin. (10 pt. font where possible)
 9. Part to be debossed with cavity number where indicated.
 10. Part shall be packaged to prevent damage during shipping and marked with HARMAN part number and revision indicated on this drawing.

<small>PROPRIETARY AND CONFIDENTIAL PROPERTY OF HARMAN. DO NOT DISCLOSE, REPRODUCE, OR PUBLISH WITHOUT WRITTEN HARMAN APPROVAL.</small> ROHS/REACH <small>RESTRICTION OF HAZARDOUS SUBSTANCES/REGISTRATION, EVALUATION, AUTHORIZATION, AND RESTRICTION OF CHEMICALS</small> <small>ALL MATERIALS USED IN THIS PART MUST BE ROHS/REACH COMPLIANT.</small> <small>SUPPLIER SHALL PROVIDE A CERTIFICATE OF ROHS COMPLIANCE AND A REACH DECLARATION OF SUBSTANCES WITH THE FIRST ARTICLE</small>		<small>TOLERANCES UNLESS OTHERWISE SPECIFIED:</small> All Dimensions: ±.15 Angular: ±.5° DIMENSIONS ARE IN MILLIMETERS DIMENSIONS APPLY TO RAW PART		THIRD ANGLE PROJECTION DRAWN BY: Frank Zheng DESIGNED BY: Frank Zheng PROJECT MANAGER/ENGINEER: Zhou Xin		HARMAN TITLE: ENCL.BACK BOX,ANY WALL MNT, AGLD15,7in NO: 5107643-00 DATE: 03/18/2019 DATE: 03/18/2019		DO NOT SCALE DRAWING SHEET 1 OF 1	
SIZE: A3	SCALE: 1:2	REV: C							

0 1 2 3 4 5 6 7 8 9