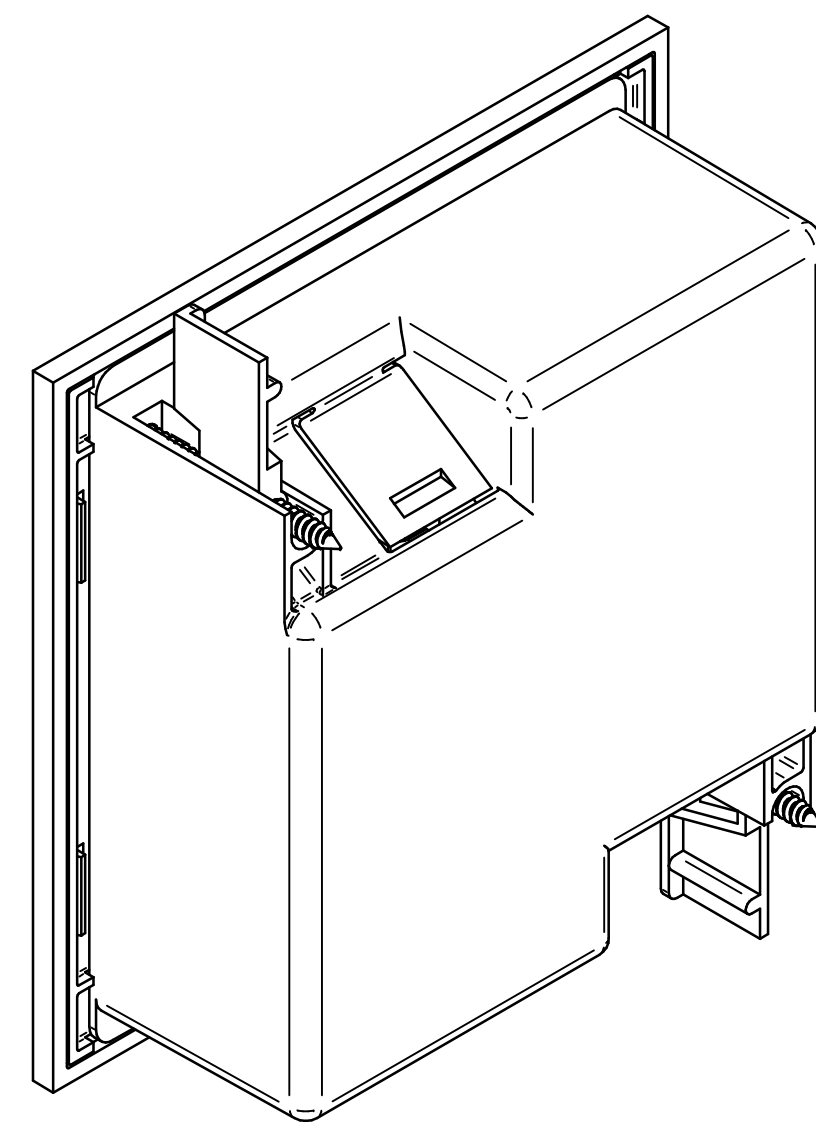
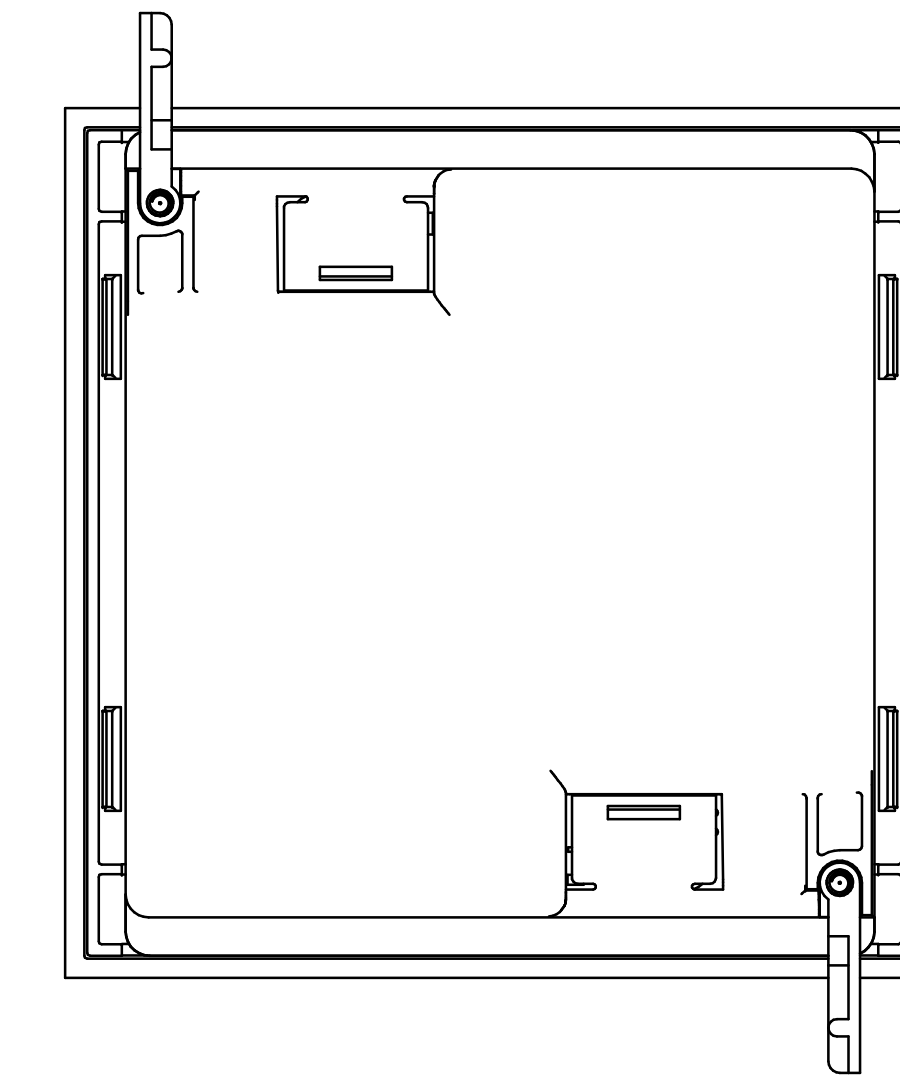
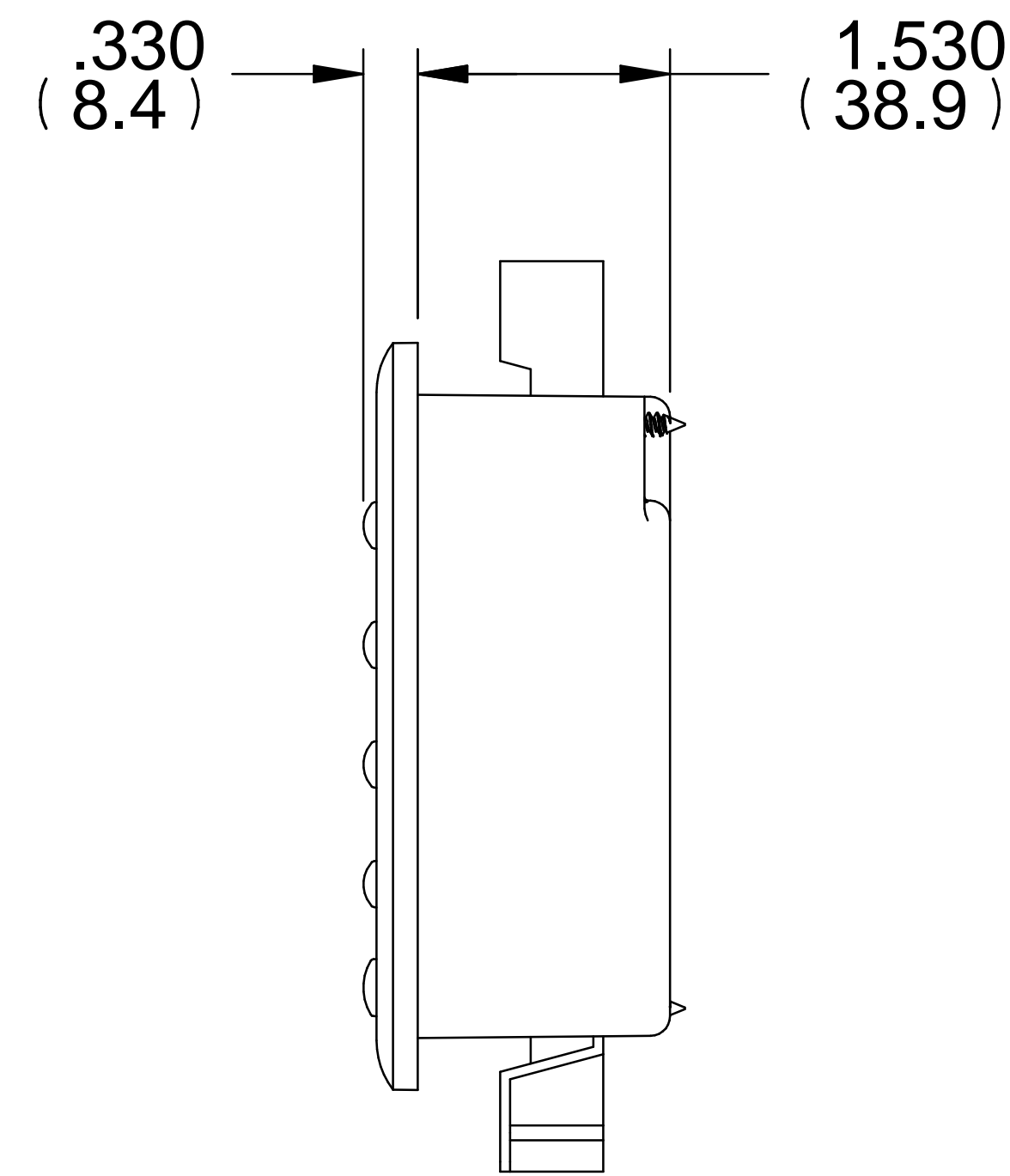
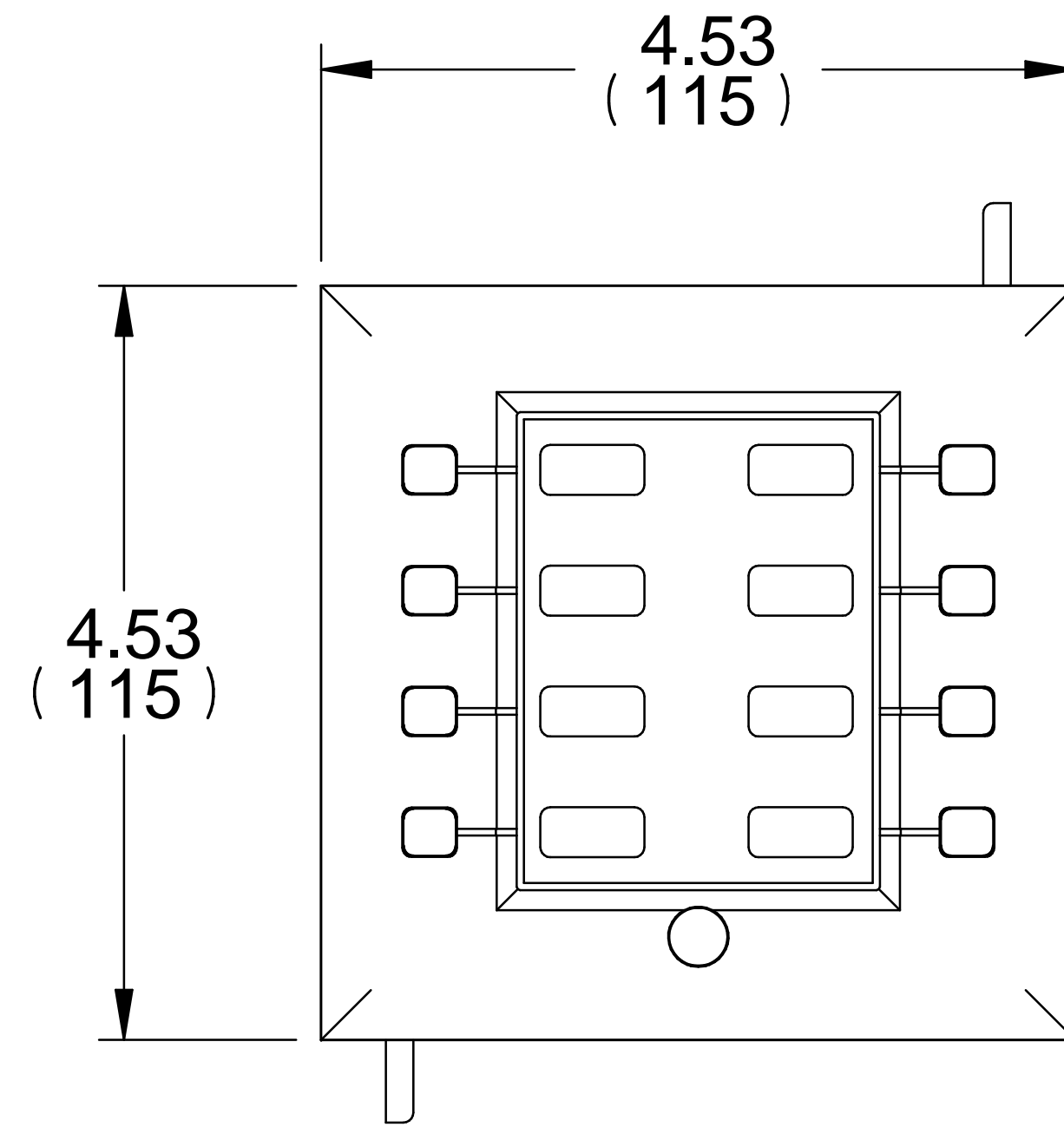
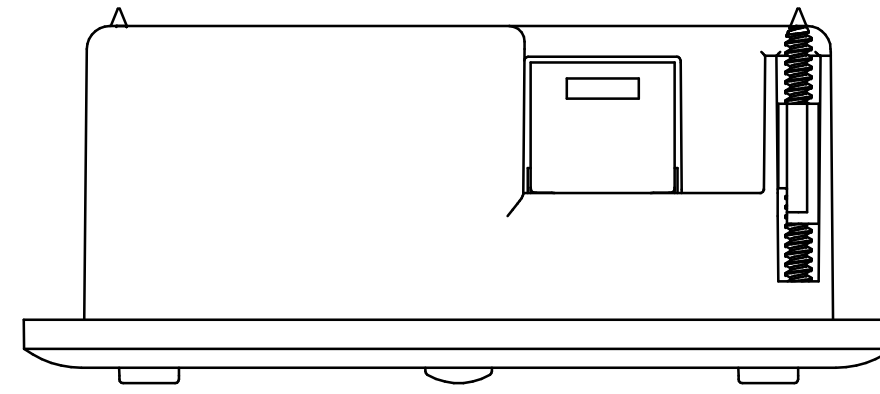
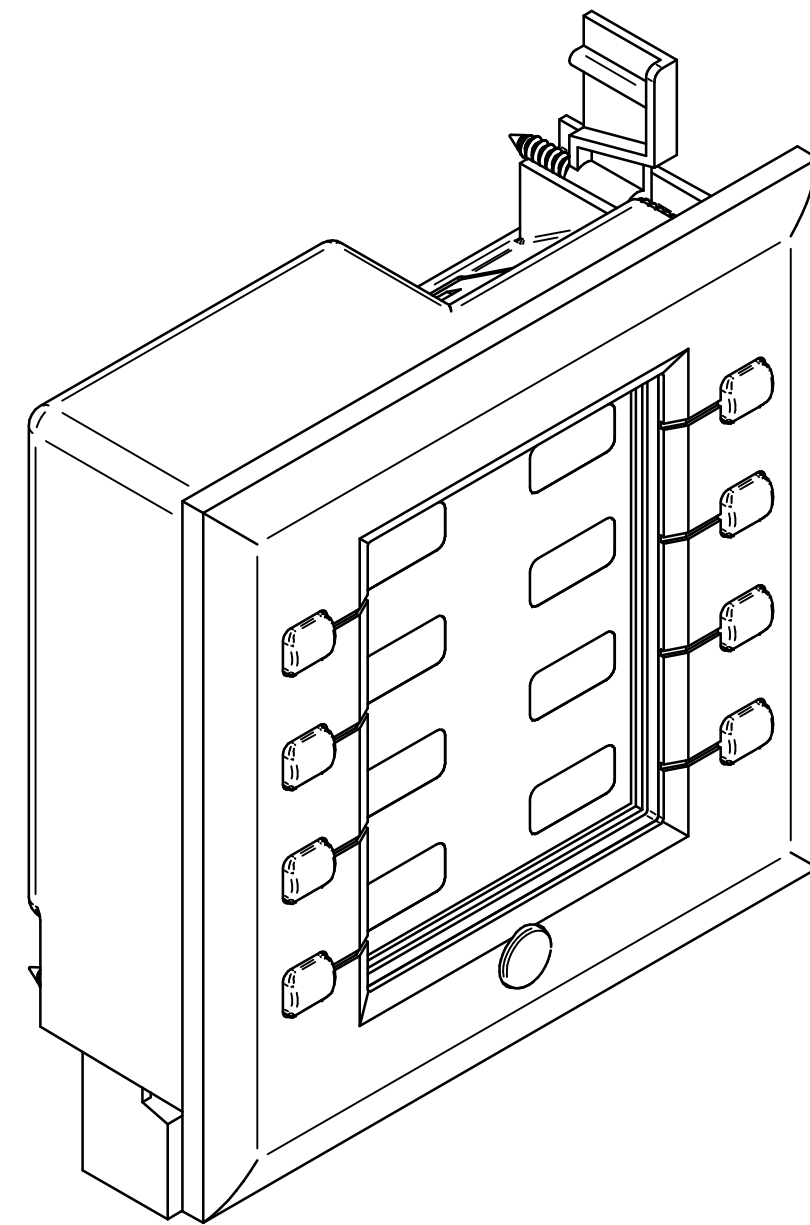


REVISION HISTORY			
DATE	REV	ECO #	COMMENT
07/13/16	@A	N/A	ORIGINAL REVISION



FRONT VIEW

ITEM:	PART NO.	DESCRIPTION	
TOLERANCE (EXCEPT AS NOTED)		AMX	
2 PLACES DECIMALS ±.020	3 PLACES DECIMALS ±.010	HOLES ±.003 ANGLES ±1/2"	PRODUCT
MTL:		N7101 WALL CONTROLLER	
FINISH:		DRN	ENG
NEXT ASSY:		CHK	ENG
SCALE		TITLE:	
1:1	SIZE D	PICTORIALVIEWS	
DWG NO.		SHEET 1 OF 1	
N7101		FILE NO:	