

Overview

The HPA-MYT-TX MyTurn™ Source Selector Button (FG554-21) connects to the end of a standalone MyTurn-Ready cable (HDMI, Mini-DP, DP, RGB, USB), or one that installed in a Retractable Cable Module (RCM). A user presses the button to send their device content to a conference room display. When pressed, the button wirelessly transmits a signal to the HPA-MYT-RX MyTurn Source Selector Wireless Receiver (FG554-23) that is wired to an AMX master controller or an AMX switching device, such as a Solecis SDX or Enova DVX. When used with a Solecis SDX, simple switching can be implemented with no NetLink programming required. Each MyTurn Source Selector Receiver can accommodate up to 8 MyTurn Source Selector Buttons.

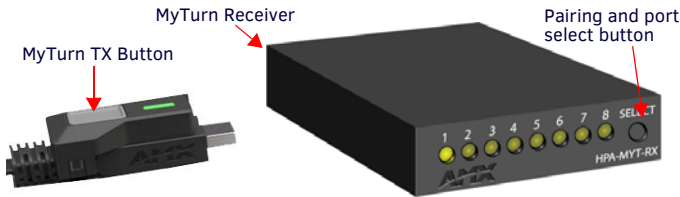


FIG. 1 HPA-MYT-TX MYTURN BUTTON (LEFT) AND HPA-MYT-RX MYTURN RECEIVER (RIGHT)
MyTurn Source Selector Buttons and Receivers have the following user features:

MyTurn Source Selector Button

- Push button – activates input at switcher to display device content

MyTurn Receiver

- Select Button – press momentarily to switch ports (indicated by LEDs)
 - press and hold to enter “pairing” mode
 - press and hold during power up to reset to factory defaults

Product Specifications

HPA-MYT-TX SPECIFICATIONS	
Dimensions	• 1.421" x .645" x 0.40" HWD (36mm x 16mm x 10mm)
Power:	• Integrated 3VDC coin-cell battery (not replaceable) • Expected Lifetime: 30K presses or 5/6 years of typical usage
Environment	• Operating Temperature: 32° F (0° C) to 122° F (50° C) • Operating Humidity: 20% to 85% RH
Top Panel:	• Push-button
Compatibility:	Retractable Cable Module (RCM) Assemblies: • FG552-32 - HDMI 4K60 RCM with MyTurn-Ready Cable • FG552-33 - DisplayPort 4K60 RCM with MyTurn-Ready Cable • FG552-36 - Mini DisplayPort 4K60 RCM with MyTurn-Ready Cable • FG552-35 - RGB with Stereo RCM with MyTurn-Ready Cable • FG552-37 - USB 3.0 RCM with MyTurn-Ready Cable Flat Cable Assemblies: • FG10-2192-xx - HDMI 4K60 MyTurn-Ready Flat Cable (xx=16 or 32 ft) • FG10-2193-16 - DisplayPort 4K60 MyTurn-Ready Flat Cable • FG10-2195-16 - RGB with Auto MyTurn-Ready Flat Cable • FG10-2196-16 - Mini DisplayPort 4K60 MyTurn-Ready Flat Cable • FG10-2197-16 - USB MyTurn-Ready Flat Cable
Accessories:	• HPX-2BTN-8ACC - 8 button inserts and 8 cable bands kit (optional) • Quick Start Guide Included • 2 TX Button mounting clips - one for VGA, one for HDMI/DP/mDP/USB

HPA-MYT-RX SPECIFICATIONS	
Dimensions (HWD)	• 3.21" x 2.54" x 0.55" HWD (82.55mm x 69.85mm x 15.24mm)
Enclosure:	• Polycarbonate plastic with matte finish
Input Voltage:	• 8-15 VDC on the "+12V" input operates LEDs and I/O outputs to Solecis, NI-Controller or DVX Switcher • The Rx must receive the 8-15VDC power from a distance of 3 meters or less.
Environment	• Operating Temperature: 0° C (32° F) to 50° C (122° F) • Operating Humidity: 20% to 85% RH
Front Panel:	• 8 Yellow LEDs • 1 Push button for pairing or port selection
Rear Panel:	• 1 x 6 Phoenix screw-terminal - I/O 1-4 and Power/Ground • 1 x 4 Phoenix screw-terminal - I/O 5-8 • 1 Green LED indicates power is applied, and flickers when any wireless transmission is detected.
Accessories:	• Quick Start Guide Included • 3M Reclosable Fastener strips for mounting the receiver under a table • Phoenix Plugs (4 and 6 port)

MyTurn Source Selector Solution in a Conference Room

The eight outputs on the rear of the MyTurn Source Selector Receiver connect using Phoenix connector to the SW inputs on Solecis SDX-510M-DX, or GPIO inputs on NI Controllers or Enova DVX devices. When the MyTurn Source Selector Button paired with that I/O port is triggered, the MyTurn Source Selector Receiver activates the AMX device “SW” input or I/O port, signaling the system to switch the display to that port.

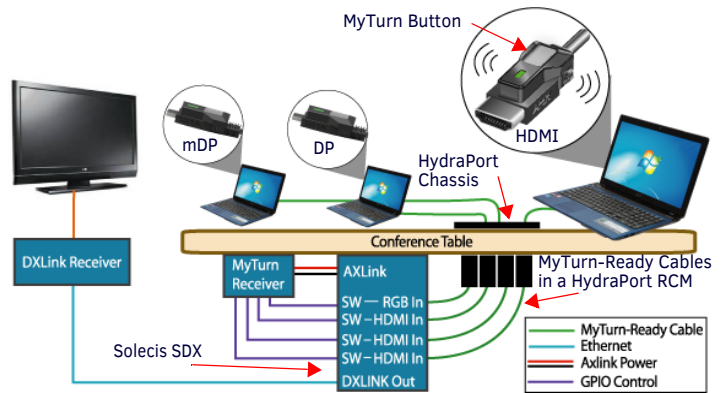


FIG. 2 MYTURN TO AMX SOLECIS DIGITAL SWITCHER CONNECTION EXAMPLE

Following are examples of two typical MyTurn Source Selector installations.

Solecis SDX-410/510/810 Switchers

The MyTurn Source Selector Receiver connects to the AMX Solecis front AXLINK port for power and ground as outlined in FIG. 3. Output ports (1 through 8) are wired to the corresponding Solecis rear “SW” input that has a MyTurn Source Selector Button equipped cable connected to it. This solution can be implemented without NetLink programming since the SW port is directly connected to the Receiver.

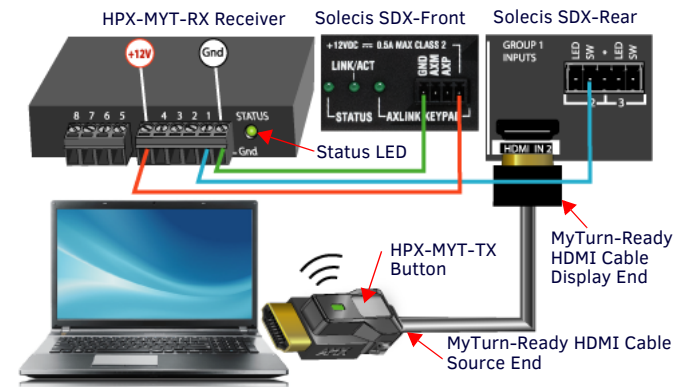


FIG. 3 MYTURN SOURCE SELECTOR SW CONNECTION (1 CONNECTION SHOWN)

Note: Only on the SDX-510-DX, set dipswitch #4 in the ON position (Direct Mode). This will set the external button behavior to be in direct mode by default. Once the dipswitch is turned ON the SDX-510-DX must be rebooted in order for the setting to take effect.

Enova DVX Master/NetLink Integrated Controller

The MyTurn Source Selector Receiver connects to an AMX DVX Master or a NetLink Controller using the GPIO interface as outlined in FIG. 4. The GPIO port can deliver Power and Ground as well as receive switch inputs 1-8.

This solution requires NetLink programming to correlate a GPIO input button event to switch to a predetermined port on the DVX.

MyTurn Source Selector Receiver Installation

Refer to the following steps to install the MyTurn Source Select Buttons and Receivers.

Note: 3M Reclosable Fastener strips are provided to attach the receiver under the table. The adhesive strips require 24 hours dwell time to obtain 90% adhesion before applying a load or disengaging assemblies (50% bond strength after 20 minutes, 90% after 24 hours).

Note: The MyTurn Source Selector Wireless Receiver must be installed within 10 meters (32 ft) of the MyTurn Source Selector Buttons. Care must be taken to minimize metal obstructions to the wireless signal (i.e., equipment racks).

Note: The Rx must receive the 8-15VDC power from a distance of 3 meters or less.

1. Clean surfaces and with alcohol paper and apply the Velcro strips to the receiver and table mounting location 24 hours in advance for strong adhesion.
2. Wire the Solecis, DVX, or NX/NI Master Controller using 24 AWG wire in the Phoenix screw terminals. Ensure Power and Ground are connected as shown (FIG. 5). Use the AXLINK ports for Power and Ground if connecting to a Solecis as

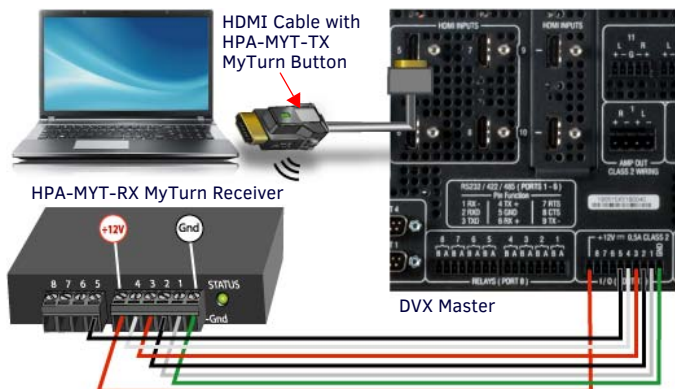


FIG. 4 MYTURN SOURCE SELECTOR DVX GPIO TERMINATIONS (5 CONNECTIONS SHOWN)

described in FIG. 3. The Rx must receive the 8-15VDC power from a distance of 3 meters or less.

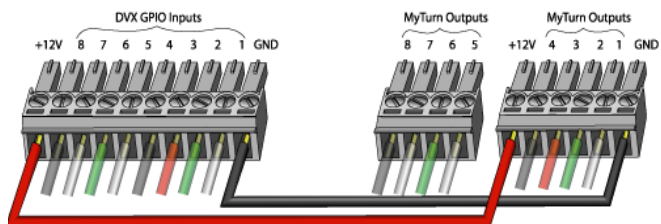


FIG. 5 PHOENIX CONNECTOR WIRING (DVX/NI-CONTROLLER GPIO TO MYTURN RECEIVER)

Note: When connecting outputs 1-8, note the device type, input port location (ex. HydraPort Pos-1) on the worksheet below-right. It may be needed when pairing the MyTurn Source Selector Buttons with the wireless receiver ports.

1. Insert the plugs at the Receiver and then the GPIO or AxLink sockets. The green LED on the rear of the Receiver will light when power is applied.
2. Use cable ties to secure the cable bundle every 2 feet.

MyTurn Source Selector Button Installation

The MyTurn Source Selector Button can be installed onto the end of any MyTurn-Ready cable (FIG. 6). It is then wirelessly paired to the MyTurn Source Selector Receiver.



FIG. 6 MYTURN-READY SOURCE SELECTOR BUTTONS SHOWN MOUNTED ON VARIOUS CABLES

1. At the source end of the cable, clip the MyTurn Source Selector Button onto the MyTurn-Ready connector over-mold with the LED over the connector end (FIG. 7).

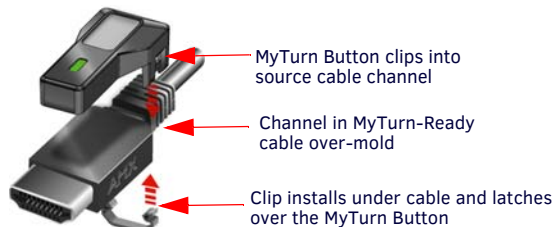


FIG. 7 MYTURN-READY SOURCE SELECTOR BUTTON CLIPPING ONTO CABLE END

2. There are short and tall securing clips. The Tall clip is used on the RGB+Stereo MyTurn-Ready cable due to the bulk of the over-mold. Press the clip into the MyTurn-Ready cable channel until it clicks over the MyTurn-Ready button.
3. Pair each MyTurn Source Select Button as it is installed. Refer to the install worksheet filled out during the MyTurn Source Selector Receiver installation.

MyTurn Pairing

Perform the following steps to pair each MyTurn Source Selector Button with each port on the MyTurn Source Selector Receiver.

Caution: A receiver will hear every MyTurn Source Select Button within its proximity (receivers in adjoining conference rooms will likely see each other's TX's but will ignore any that it is not paired with.) It is the responsibility of the installer to only put one receiver at a time into pairing mode to avoid inadvertent behavior.

1. Press and hold the **Select** button on the front of the MyTurn Source Selector Receiver for approximately 3 seconds. The yellow port LEDs will all flash and Port 1 will blink awaiting the wireless MyTurn Source Selector Button press to pair.



Select Button - press momentarily to switch ports
 - press and hold 3 sec to start pairing
 - press and hold 3 sec during power up to reset to factory default

FIG. 8 MYTURN SOURCE SELECTOR WIRELESS RECEIVER - SELECT BUTTON

2. Press the MyTurn Source Select Button to pair it with the blinking port or press **Select** to select another port to pair with. Upon successful pairing, the selected LED will turn on solid for one second, and then the LED flashing will advance to the next output to indicate the device is still in pairing mode. The receiver will pair the first transmitter it hears when pairing a particular output.
3. Repeat the MyTurn Source Select Button installation and pairing procedure for each button required. To exit the pairing mode, press the **Select** button for 3 seconds again. All front yellow LEDs will flash 3 times and then the first output will be selected. Pairing mode will exit after 2 minutes of no action.
Note: Successive momentary presses of the front panel button on the receiver will keep the unit in pairing mode, resetting the pairing timeout counter, and advance the slot assignment to the next output in a round-robin fashion.
4. If the unit has exited pairing mode before all ports are paired, press and hold the **Select** button for 3 seconds again to enter the pairing mode and momentarily press the button multiple times to advance the pairing to restart where the last port was set. A new pairing will overwrite the prior pairing.
5. Secure the device under the table once all cabling and pairing is complete.

Return to Factory Default

To return a receiver to the factory default settings, perform the following steps:

Note: Returning to factory defaults will wipe any pairing data from the system memory.

1. Hold the **SELECT** button and apply power. Continue holding the **SELECT** button for another 3 seconds. All receiver output status LEDs will simultaneously flash three times on startup (after being returned to factory settings).

Operation

To operate the MyTurn Source Selector Button after installation is complete, just connect the cable source end to the presenting device and momentarily push the MyTurn Source Selector Button. The LED on the button will momentarily flash green. The device content is now viewable on the main display.

Installation Worksheet

MYTURN RECEIVER		DEVICE INPUT	
Port	Wired to Device Type/Name	Port	Pair to Cable Type/Location
1			
2			
3			
4			
5			
6			
7			
8			

Additional Documentation

Refer to the catalog page on www.amx.com (Dealer Site) for additional product documentation.



Last Revised: 6/17/2016

© 2016 Harman. All rights reserved. Hydraport, AMX, AV FOR AN IT WORLD, HARMAN, and their respective logos are registered trademarks of HARMAN. Oracle, Java and any other company or brand name referenced may be trademarks/registered trademarks of their respective companies.

AMX does not assume responsibility for errors or omissions. AMX also reserves the right to alter specifications without prior notice at any time. The AMX Warranty and Return Policy and related documents can be viewed/downloaded at www.amx.com.

3000 RESEARCH DRIVE, RICHARDSON, TX 75082 AMX.com | 800.222.0193 | 469.624.8000 | +1.469.624.7400 | fax 469.624.7153

AMX (UK) LTD, AMX by HARMAN - Auster Road, Clifton Moor, York, YO30 4GD United Kingdom • +44 1904-343-100 • www.amx.com/eu/

93-0554-21 REV: C



9 3 - 0 5 5 4 - 2 1