

Overview

The HPX-AC-TMPLT-600/900/1200 HydraPort® Installation Router Guides provide an easy and accurate method of creating a hole in the installation surface for HydraPort HPX-600, HPX-900 and HPX-1200 Connection Ports (Base Assemblies).

Use the HPX Router Guides along with the required accessories to create the hole in the mounting surface to install the HPX Base Assemblies.

SPECIFICATIONS	
Models Available:	
• HPX-AC-TMPLT-600 (FG559-92) - For use with HPX-600	
• HPX-AC-TMPLT-900 (FG559-93) - For use with HPX-900	
• HPX-AC-TMPLT-1200 (FG559-94) - For use with HPX-1200	
Dimensions:	
Outside Dimensions:	Horizontal (all) : 18.90" (480 mm) Vertical (all): 11.61" (295 mm)
Routing Area (cutout) Dimensions:	These dimensions vary for each template. See the <i>Routing Area Dimensions for HPX-AC-TMPLT Router Guides</i> section for details.
Thickness:	0.25" (6.35 mm)
Weight:	• HPX-AC-TMPLT-600: 3.85 lbs (1.75 kg) • HPX-AC-TMPLT-900: 4.25 lbs (1.93 kg) • HPX-AC-TMPLT-1200: 4.60 lbs (2.09 kg)

REQUIRED ACCESSORIES (ACCESSORIES NOT INCLUDED)	
• Straight-Cut Router bit: Freud 12-128 or Whiteside 1072 (0.5" or 12mm / 12.7mm OD)	
• Guide Bushing: Woodcraft 144693 (.75" or 19 mm OD)	
• Bushing Lock Nut (Woodcraft 144696)	

CAUTION: Only a professional, AMX-qualified installer should perform the installation of HydraPort Base Assemblies. Installation must conform to all local codes. These products may not be installed by the end-user.

The installation of HydraPort Base Assemblies requires specific woodworking skills. This installation should be performed by an experienced person, comfortable with these type of woodworking operations. Improper installation may result in damage to the mounting surface.

Selecting a Suitable Location for the HPX Base Assembly

Care must be taken to ensure that the HydraPort system does not interfere with the normal use of the work space. For example, on a table or work surface, ensure that the system does not interfere with the user's legs when they are seated at the table.

Above-Surface Dimensions of HPX Base Assemblies

Refer to FIG. 1 and the following table for the above-surface dimensions of the HPX Base Assemblies:

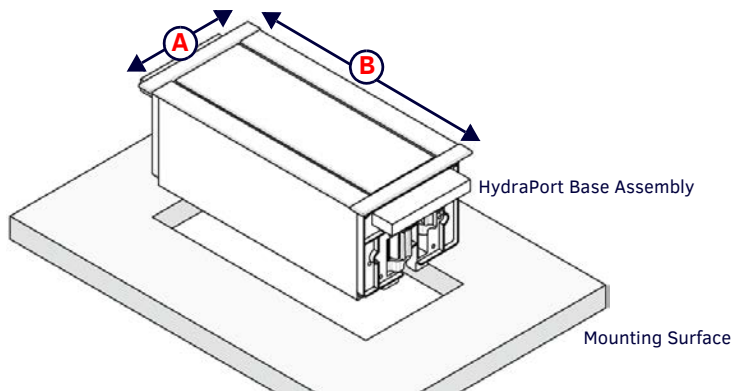


FIG. 1 ABOVE-SURFACE DIMENSIONS OF HPX BASE ASSEMBLIES

DIMENSIONS OF HPX BASE ASSEMBLIES	
Length of "A":	5.43" (138 mm)
Length of "B":	HPX-600: 8.19" (208 mm) HPX-900: 11.14" (283 mm) HPX-1200: 14.09" (358 mm)

Below-Surface Dimensions of HPX Base Assemblies

FIG. 2 indicates the below-surface dimensions required for the HPX-600/900/1200 Base Assemblies:

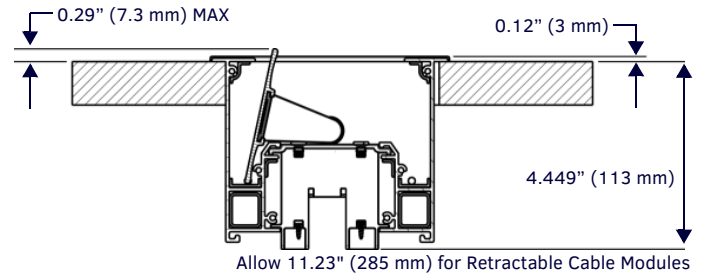


FIG. 2 DIMENSIONS OF THE HPX BASE ASSEMBLY (BELOW THE TABLE)

- The HydraPort system requires a mounting surface thickness between 0.5" (13 mm) to 2" (51 mm).
- Note:** Use included spacer for any table thickness between 0.5" (13mm) to 0.75" (19mm).
- The HydraPort base assembly will have a total depth of 4.449" (113 mm).

Note: For installations with (optional) Retractable Cable Modules, the HydraPort system will have a total assembly depth of 11.23" (285 mm).

Routing Area Dimensions for HPX-AC-TMPLT Router Guides

Refer to FIG. 3 and the following table for the dimensions of the routing area (template cutout) of the HPX-AC-TMPLT Router Guides:

DIMENSIONS OF ROUTING AREA FOR HPX-AC-TMPLT ROUTER GUIDES	
Length of "C":	5.05" (128.25 mm)
Length of "D":	HPX-AC-TMPLT-600: 7.85" (199.35 mm) HPX-AC-TMPLT-900: 10.78" (274.25 mm) HPX-AC-TMPLT-1200: 13.75" (349.25 mm)

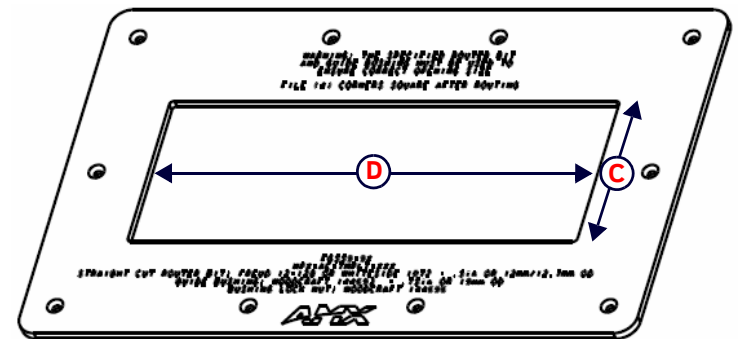


FIG. 3 HPX-AC-TMPLT ROUTER GUIDES - ROUTING AREA

Hole Cutout Dimensions for the Mounting Surface

Refer to FIG. 4 and the following table for the dimensions of the actual hole cut out in the mounting surface, resulting from using the Router Guides and required accessories:

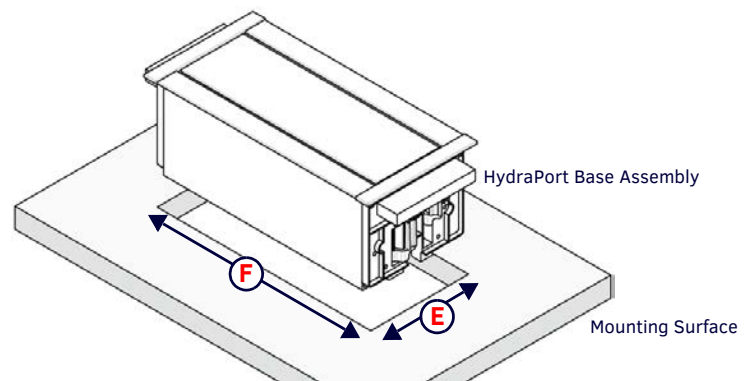


FIG. 4 HOLE CUTOUT DIMENSIONS FOR THE MOUNTING SURFACE

HOLE CUTOUT DIMENSIONS FOR THE MOUNTING SURFACE	
Length of "E":	4.80" (122mm)
Length of "F":	HPX-AC-TMPLT-600: 7.60" (193 mm) HPX-AC-TMPLT-900: 10.55" (268 mm) HPX-AC-TMPLT-1200: 13.50" (343 mm)

Preparing the HydraPort Installation Router Guide

1. Cut two 1/2-inch x 4-inch strips of soft, finished wood. The wood strips should be long enough to span the distance from the installation location to the edges of the mounting surface.
2. Use four or more short lock nut screws to secure the router guide to the wood strips (FIG. 5):

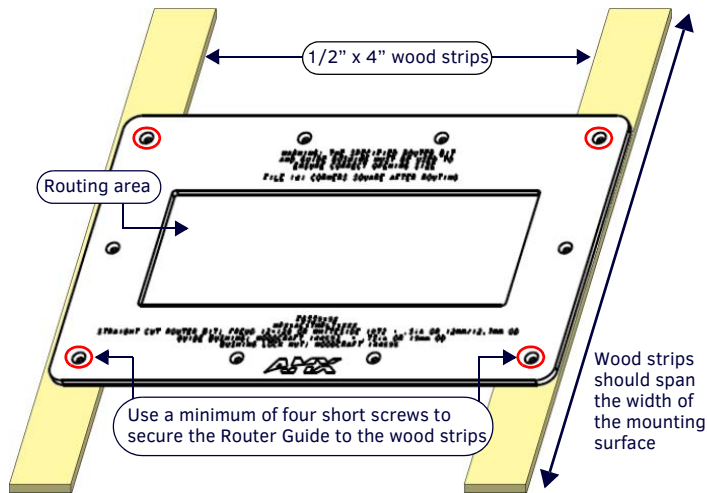


FIG. 5 SECURING THE ROUTER GUIDE

CAUTION: To avoid damaging the mounting surface, do not allow the screws to protrude through the bottom of the wood strips.

Preparing the Mounting Surface

1. Mark the desired mounting location on the mounting surface.
2. Place the router guide/wood strip assembly on the mounting surface, and center the assembly on the mounting location.
3. Position a sheet of soft wood beneath the mounting surface to “sandwich” the mounting surface with soft wood. This will protect both sides of the mounting surface during installation (FIG. 6):

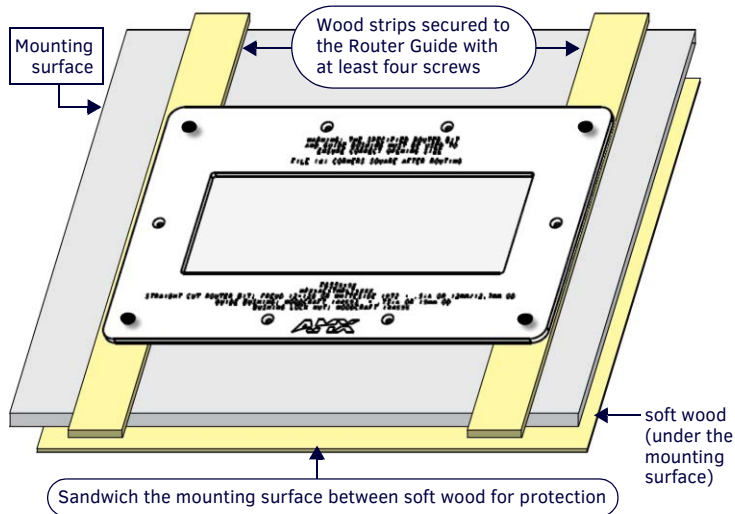


FIG. 6 POSITION THE ROUTER GUIDE AND PROTECTIVE SOFT WOOD STRIPS FOR INSTALLATION

Note: For additional protection of the mounting surface, place a layer of soft, thick cloth between the wood strips and the surface.

4. Once positioned, secure the router guide/wood strip assembly to the mounting surface and under-surface wood with C-clamps.

Cutting the Hole In the Mounting Surface

CAUTION: Wear safety glasses when operating the router. Failure to comply may result in eye injury.

Use the specified guide bushing and router bit (not included):

- **Guide Bushing:** Woodcraft 144693 (.75" or 19 mm OD)
- **Router Bit:** Straight-Cut Router bit: Freud 12-128 or Whiteside 1072 (0.5" or 12mm / 12.7mm OD)

1. Carefully measure the mounting surface to locate the desired position of the HydraPort Base Assembly.
2. Use the appropriate Installation Router Guide to mark the edges of the cutout.
3. Carefully cut the opening in the table surface with the router.
 - Note that very little clearance exists between the HydraPort Base Assembly and the hole cutout in the mounting surface.
 - Take care to align the cutout carefully with the edges or other appropriate features in the table or mounting surface.
 - If the cutout is misaligned, the installed unit will be misaligned.
 - Take care to ensure that the top surface of the mounting surface is not damaged beyond the width of the trim bezel as the cutout is made.
4. File the four corners of the routing area square after routing.
 - Use an appropriate drill and drill bit to make a starting hole within the boundary of the cutout. Use an appropriate saw, such as a jigsaw to finish the cutout.
 - Make sure cutting tool used is appropriate for the material to be cut and will not tear or chip the top surface.
 - Note that the process of making the cutout will create substantial dust and prepare the environment appropriately.

Additional Documentation

- For additional instructions and detailed installation drawings for the HPX-600/900/1200 Base Assemblies, refer to the *HPX-600/900/1200 Installation Guides* (available at www.amx.com).
- Detailed specifications drawings for the HPX-AC-TMPLT router guides are available to download from www.amx.com.

