

Overview

The HPX-CPTS100-W (FG562-42) provides a simple and convenient way to add additional spaces to the HPX-CPT200-W HydraPort® Cable Pass-Through Well Module. The HPX-CPTS100-W Module is designed to be used exclusively in the AMX HPX-600, HPX-900, HPX-1200 OR HydraPort Touch Chassis. These HydraPort units are designed to be mounted in a horizontal surface such as a conference room table or lectern.



FIG. 1 HPX-CPTS100-W HYDRAPORT CABLE PASS-THROUGH WELL MODULE

- See specifications for module requirements.
- Refer to the installation guide for the HPX-600/900/1200 for further instructions.

Product Specifications

HPX-CPTS100-W SPECIFICATIONS	
Dimensions (HWD)	
Max above mounting surface:	0"
Max below mounting surface:	35mm (1.35")
Mounting surface footprint:	58.6mm (2.3") x 25mm (1.0")
Table Cutout Dimensions:	See HPX-600/900/1200
Weight:	0.03 Kg (.05 lbs)
Enclosure:	Black Polycarbonate material
Rear Connections:	n/a
Compatibility:	<ul style="list-style-type: none"> • HPX-600 • HPX-900 • HPX-1200
Included Accessories:	Installation Guide

Installation

Important! A professional, AMX-qualified installer should perform this installation. Installation must conform to all local codes. Disconnect all AC Power Cords from the AC Mains Power Branch Circuit until installation is complete.

Tools Required

- #2 Phillips Screwdriver (initial installation)
- #2 Flat-blade Screwdriver (topside removal and re-installation)

Step 1 - Remove the HPX-600/900/1200 (if Required)

Remove the HPX-600/900/1200 or HydraPort Touch from the mounting surface if it has previously been installed in one.

Refer to the Installation guide for the HPX-600/900/1200 or HydraPort Touch for instructions on installation and removal of the HPX-600/900/1200 or HydraPort Touch.

Step 2 - Install the HPX-CPTS100-W Module

1. Remove one of the plastic end caps from the HPX-600/900/1200 as follows:
 - a. Remove the silver #6 screw retaining the pawl and door
 - b. Remove the 6 #6 black sheet metal screws retaining the plastic end cap to the metal frame
 - c. Slip the plastic end cap off the metal frame
2. Remove existing modules or blanks to make space for the HPX-CPTS100-W Module.
3. Insert the HPX-CPTS100-W along with the HPX-CPT200-W Module into the metal frame by sliding it into the slots provided in the metal frame.
4. Insert the cables, which will be captured by the combined cable pass thru module as they are inserted into the metal frame.

Note the orientation of the interlocking tabs. The interlocking tabs on each module should all be facing towards the same end of the chassis (FIG. 2):

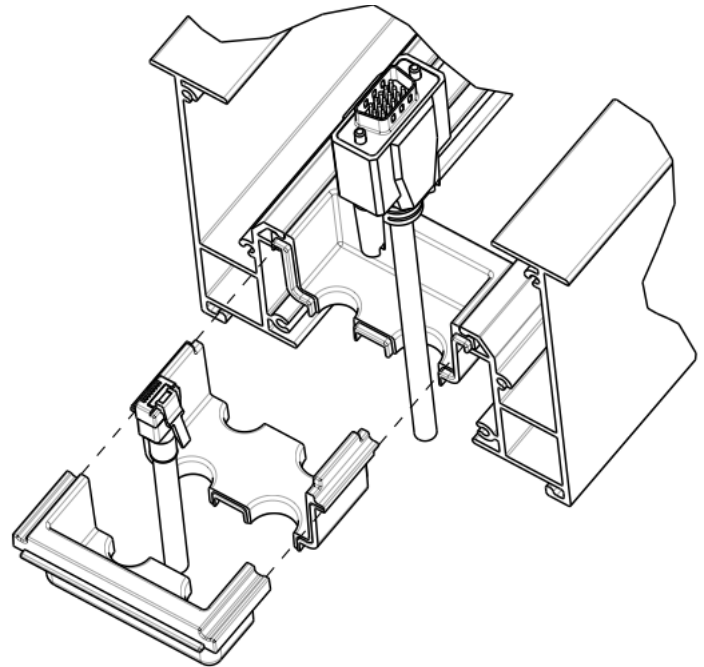


FIG. 2 INSTALLING THE HPX-CPTS100-W MODULE

5. Replace the plastic end cap by replacing the 6 # 6 sheet metal screws and the #6 screw retaining the pawl and door.

Step 3 - Replace the HPX-600/900/1200

Reinstall the HPX-600/900/1200 or HydraPort Touch by reversing Step 1.

Refer to the Installation guide for the HPX-600/900/1200 or HydraPort Touch as required.

Step 4 - Terminate the Captured Cables

Terminate the backside connections of captured cables.

Insure sufficient service loop so that the cables can pulled out for use.

Reconfigure (if needed)

Occasionally the cables captured by the combined cable pass-thru models will need to be changed.

In order to accomplish this without removing the HPX-600/900/1200 or Hydraport Touch from the table, the HPX-CPTS100-W may be removed from the top side using the following steps.

Step 1 - Remove the HPX-CPTS100-W

1. Open the flip cover of the HPX-600/900/1200 or Hydraport Touch.
2. Place a #2 Flat-blade screwdriver against the tab provided on either side of the HPX-CPTS100-W and against the side of the metal frame opposite the open cover.
3. Place a soft cloth or other protection between the screwdriver and the metal frame to avoid damaging the metal finish (FIG. 3):

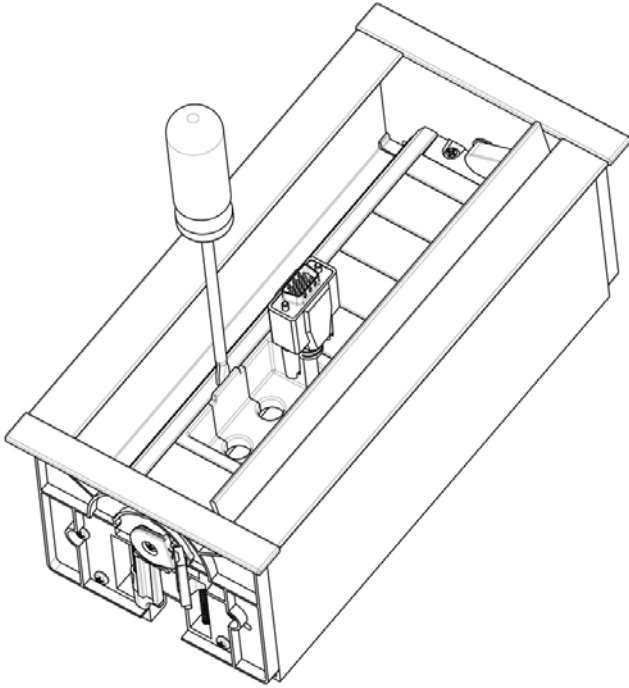


FIG. 3 REMOVING THE HPX-CPTS100-W MODULE

4. Pry gently against the plastic tab on the side of the HPX-CPTS100-W towards the center of the unit and upward until spacer releases from the metal frame.
5. Repeat for the other side of the spacer so that the module is released from the frame.
6. Pull the HPX-CPTS100-W Spacer Module up and out of the HPX-600/900/1200 or Hydraport Touch, releasing the captured cables.

Step 2 - Replace and/or reconfigure the captured cables as required.

Position new or reconfigured cables in the space vacated by the HPX-CPTS100-W.

Step 3 - Replace the HPX-CPTS100-W

1. Place the HPX-CPTS100-W module into the HPX-600/900/1200 or Hydraport Touch such that the reconfigured cables are lined up with the appropriate hole created by the combined modules.
Note the orientation of the interlocking tabs on the sides of the HPX-CPTS100-W as well as those on the sides of the HPX-CPT200-W pieces. The interlocking tabs on each module should all be facing towards the same end of the chassis to allow proper re-installation.
2. Press firmly on each side of the HPX-CPTS100-W until it snaps firmly into the metal frame (FIG. 4).

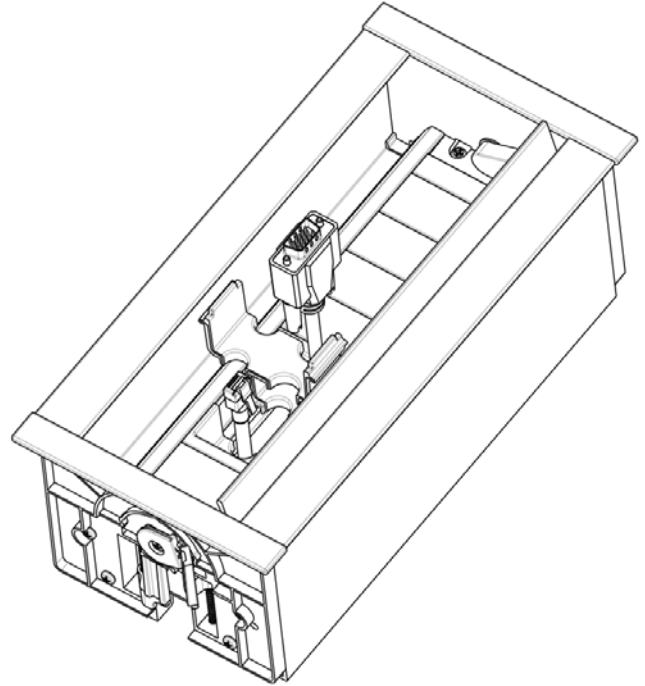


FIG. 4 REPLACING THE HPX-CPTS100-W MODULE

