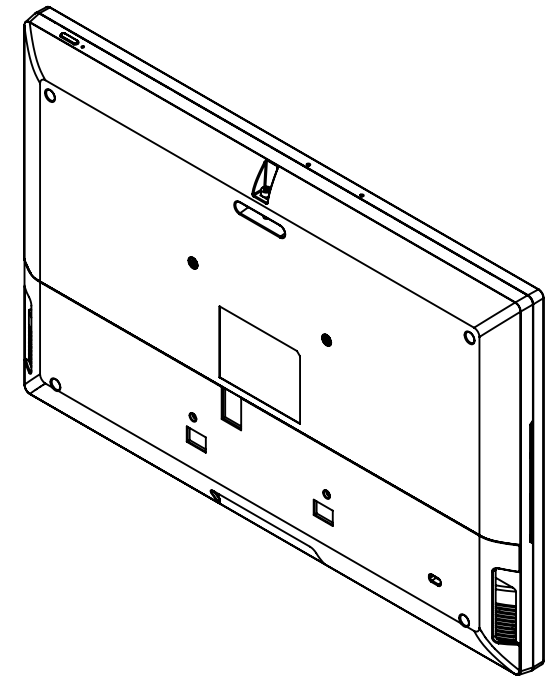
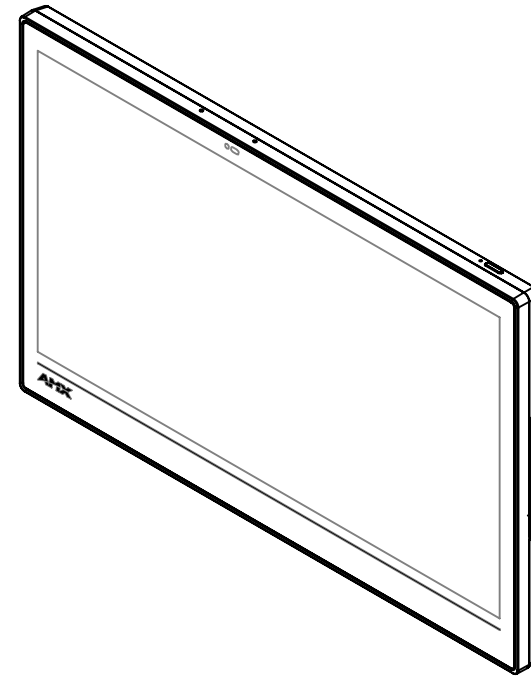
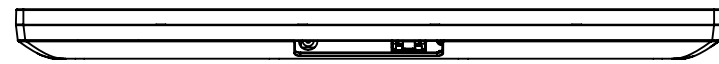
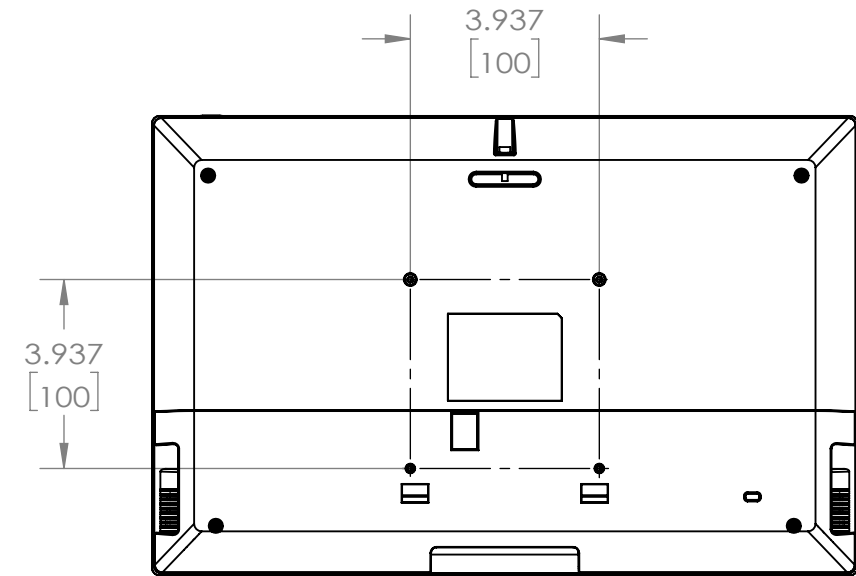
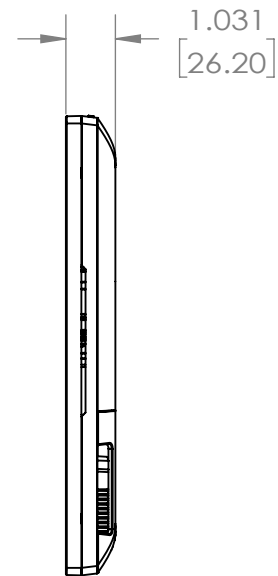
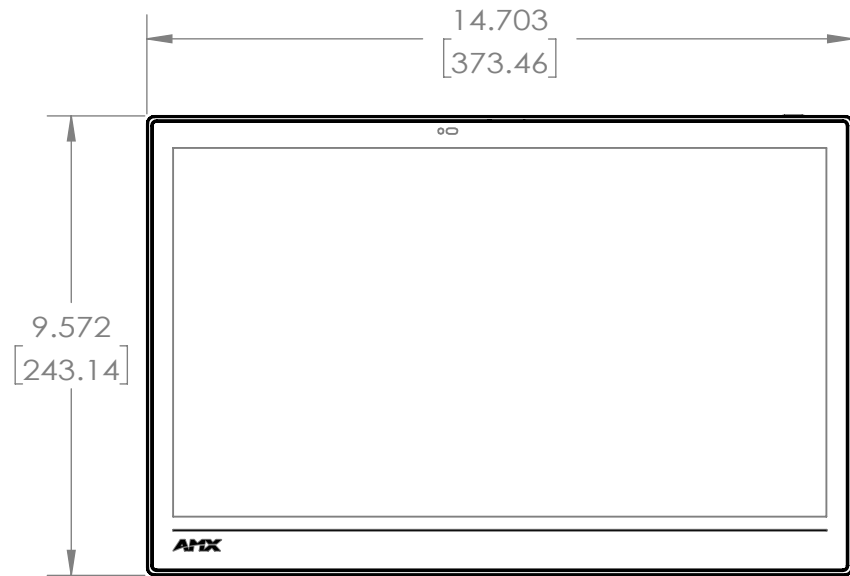


REVISION HISTORY			
DATE	REV.	DESCRIPTION	BY
2023/8/17	A	Initial release	PXiong



NOTES:
 1. Unit: inch / [mm]
 2. Detailed dimension refer to DXF/DWG files

2023 © HARMAN INTERNATIONAL INDUSTRIES, INCORPORATED. ALL RIGHTS RESERVED. DO NOT USE, DISCLOSE, SELL, REPRODUCE, PUBLISH OR MODIFY WITHOUT AUTHORIZED WRITTEN HARMAN PERMISSION.

ROHS
 RESTRICTION OF HAZARDOUS SUBSTANCES ALL MATERIALS USED IN THIS PART MUST BE ROHS COMPLIANT. SUPPLIER SHALL PROVIDE A CERTIFICATE OF ROHS COMPLIANCE WITH THE FIRST ARTICLE.

THIRD ANGLE PROJECTION

DRAWN BY: PXiong
 DESIGNED BY:
 PROJECT MANAGER/ENGINEER:

DATE: 2023/8/17

DIMENSIONS SHOWN ARE FOR REFERENCE AND INSPECTION ONLY. REFER TO CAD MODEL PROVIDED WITH THIS DRAWING FOR OVERALL DEFINITION OF PART GEOMETRY.

DATE: 2023/8/17

HARMAN

TITLE: DWG, PICTORIAL, AMX-UTP1511N

NO. **AMX-UTP1511N** REV **A**

SIZE: B SCALE: 1:4 DO NOT SCALE DRAWING SHEET 1 OF 1