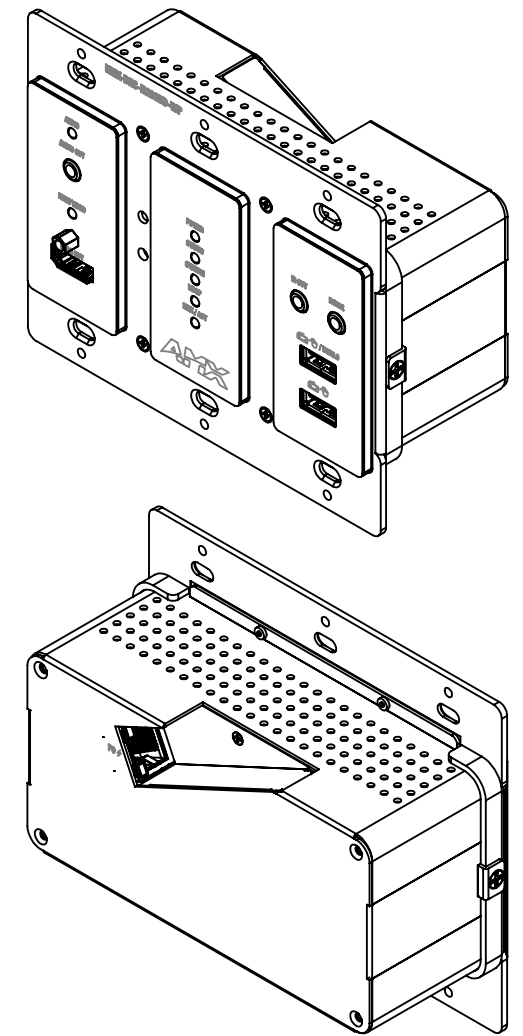
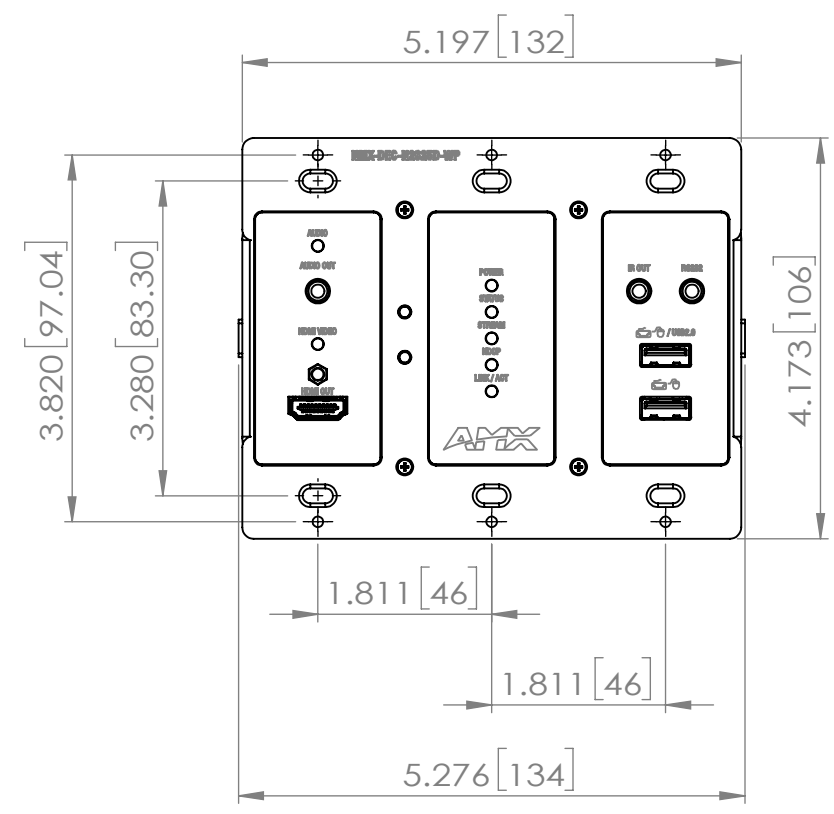
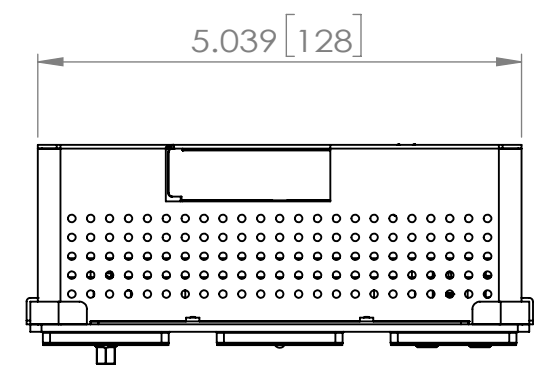
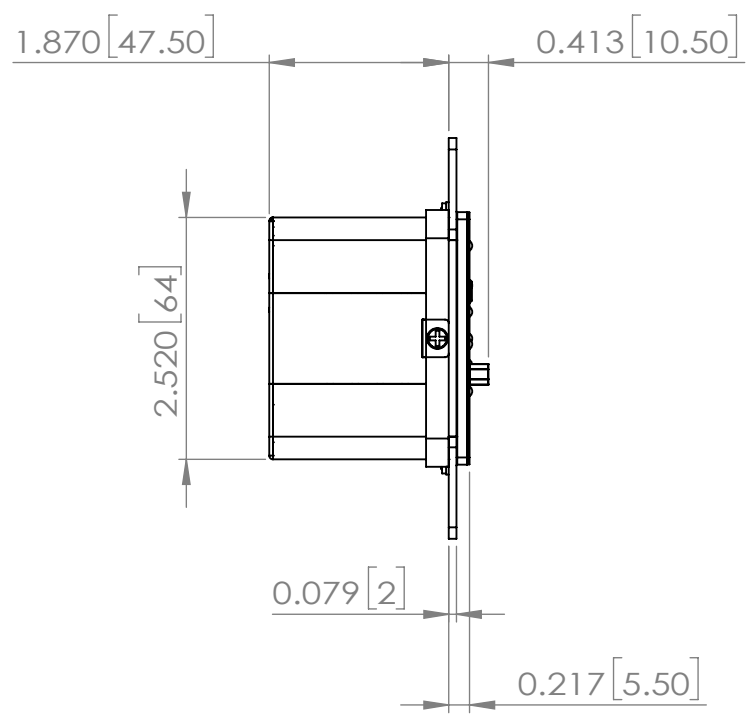
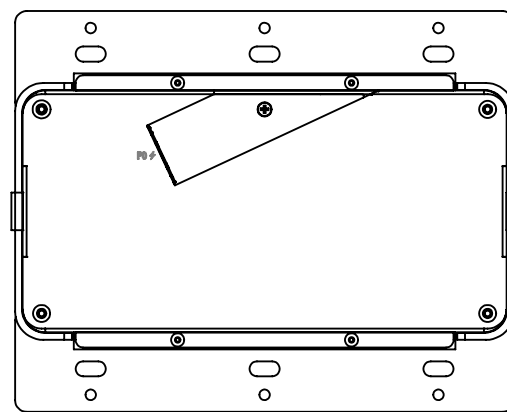


0 1 2 3 4 5 6 7 8 9

F
E
D
C
B
A

F
E
D
C
B
A



NOTES:
1. Unit: inch [mm]
2. Detailed dimensions refer to DWG/DXF files.

2024 © HARMAN INTERNATIONAL INDUSTRIES, INCORPORATED. ALL RIGHTS RESERVED. DO NOT USE, DISCLOSE, SELL, REPRODUCE, PUBLISH OR MODIFY WITHOUT AUTHORIZED WRITTEN HARMAN PERMISSION. ROHS RESTRICTION OF HAZARDOUS SUBSTANCES ALL MATERIALS USED IN THIS PART MUST BE ROHS COMPLIANT. SUPPLIER SHALL PROVIDE A CERTIFICATE OF ROHS COMPLIANCE WITH THE FIRST ARTICLE.	DIMENSIONS SHOWN ARE FOR REFERENCE AND INSPECTION ONLY. REFER TO CAD MODEL PROVIDED WITH THIS DRAWING FOR OVERALL DEFINITION OF PART GEOMETRY.	THIRD ANGLE PROJECTION 		HARMAN TITLE DWG, PICTORIAL, NMX-DEC-N2625D-WP			
		DRAWN BY PXiong	DATE 2024/6/24	NO. AMX-N26D013	REV A	SIZE B	SCALE 1:2

0 1 2 3 4 5 6 7 8 9