

12 HydraPort® Unit Enclosure with US Power Outlet

HPX-1200BL-NA, Black Anodized (AMX-FG560-03B-NA)

HPX-1200SL-NA, Brushed Aluminum (AMX-FG560-03S-NA)



Overview

The HPX-1200-NA 12 HydraPort® Unit Enclosure with US Power Outlet is a modular AV table box for connecting mobile devices to projectors or displays in a conference room or classroom. This sleek, flush-mount table box is typically installed in a conference room or classroom table, featuring a uniquely-designed lid that conveniently opens in both directions to provide a clean, unobtrusive look.

No matter how you bring in your content - via HDMI, Ethernet, USB and other popular formats - you have access to the cable or connection you need, whenever you need it. The HydraPort Architectural Connectivity System uses simple, interchangeable modules to put together the exact future-proof configuration you need today and tomorrow.

Common Applications

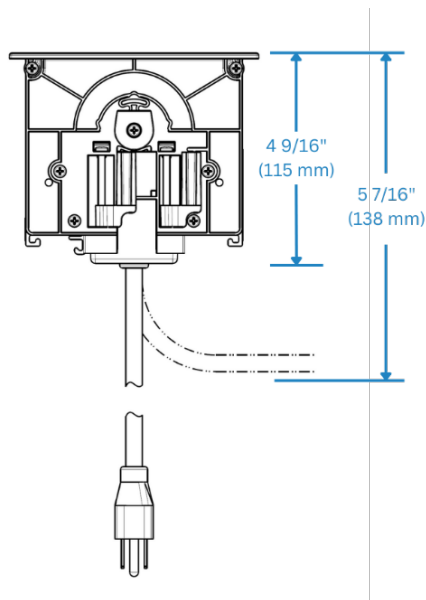
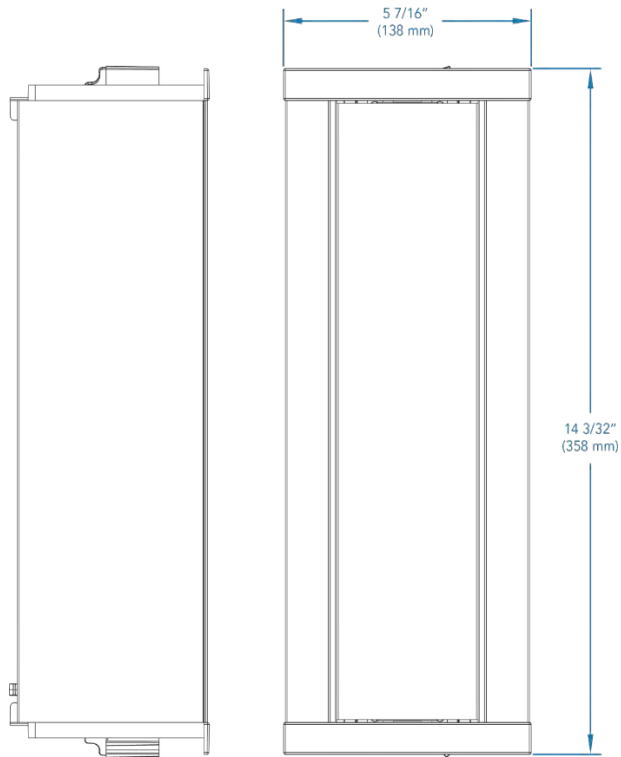
- With 10 HydraPort Units available for modules, the HPX-1200-NA is perfect for rooms that need the capability to connect many different device types to the A/V system, and to provide convenient AC power to devices
- Included US power outlet puts power within easy reach, so devices can be powered & charged throughout the meeting
- The HPX-1200-NA is designed for any conference room, classroom or boardroom that requires the capability to connect devices to the A/V system, with an unobtrusive style
- With the capability to accommodate button modules, the HPX-1200-NA is ideal for rooms that require an additional control interface at the table or lectern, or for smaller spaces where a keypad is the primary control interface

Features

- Future-Proof Modular Design – Features an assembly with the flexibility to change the modules to meet current and future needs
- Elegant and Unobtrusive – Flush-mount design installs cleanly into a lectern or table and the lid conveniently opens in both directions providing a sleek look
- No Electrician Required – The included US power outlet can be connected directly to a wall or floor outlet, eliminating the need for an electrician
- Control The Room – Add keypad or button modules to control A/V devices, lighting, & shades, as well as to initiate pre-programmed events like source selection or display power
- Available Brushed Aluminum – These stylish, low profile connectivity ports have the same contemporary brushed aluminum enclosure as high-end office furniture manufacturers, at the same price as most competitive painted metal model

Specifications

GENERAL	
Dimensions	<ul style="list-style-type: none">•Max above mounting surface: 5/16" (7.3mm) with lid open, 1/8" (3mm) with lid closed•Mounting surface footprint: 8 3/16" x 5 7/16" (208mm x 138mm)•Min. mounting surface thickness: 3/4" (19 mm)•Max mounting surface thickness: 2" (51 mm)•Table Cutout Dimensions: 7.64" x 4.84" (194mm x 123mm)
Number of Modules Supported	<ul style="list-style-type: none">• Module sizes are provided in "HydraPort module units" (M)• Modules range in unit sizes from 1/2M to 4M• The HPX-1200-NA supports up to twelve (12) total single-space modules (12M total).• The included US power outlet utilizes two (2) module spaces
Available Models	HPX-1200BL-NA, Black Anodized (AMX-FG560-03B-NA) HPX-1200SL-NA, Brushed Aluminum (AMX-FG560-03S-NA)
Enclosure	Black or Silver finish metal frame and lid with black plastic end caps.
Regulatory Compliance	UL 962A



© 2025 Harman. All rights reserved. SmartScale, NetLinx, Enova, AMX, AV FOR AN IT WORLD, and HARMAN, and their respective logos are registered trademarks of HARMAN. Oracle, Java and any other company or brand name referenced may be trademarks/registered trademarks of their respective companies.

AMX does not assume responsibility for errors or omissions. AMX also reserves the right to alter specifications without prior notice at any time. The AMX Warranty and Return Policy and related documents can be viewed/downloaded at www.amx.com.

3000 RESEARCH DRIVE, RICHARDSON, TX 75082 AMX.com | 800.222.0193 | 469.624.8000 | +1.469.624.7400 | fax 469.624.7153

Last Revised: 2025-02-19