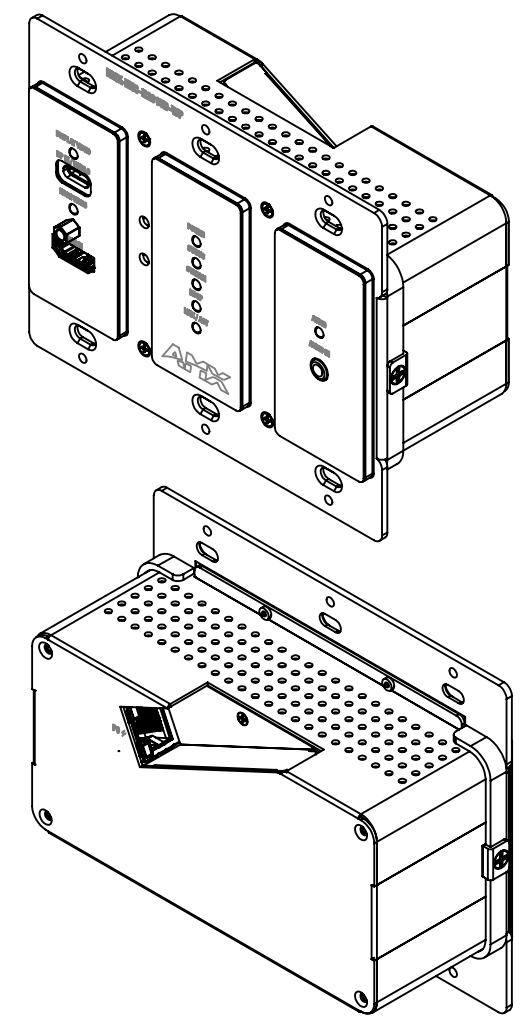
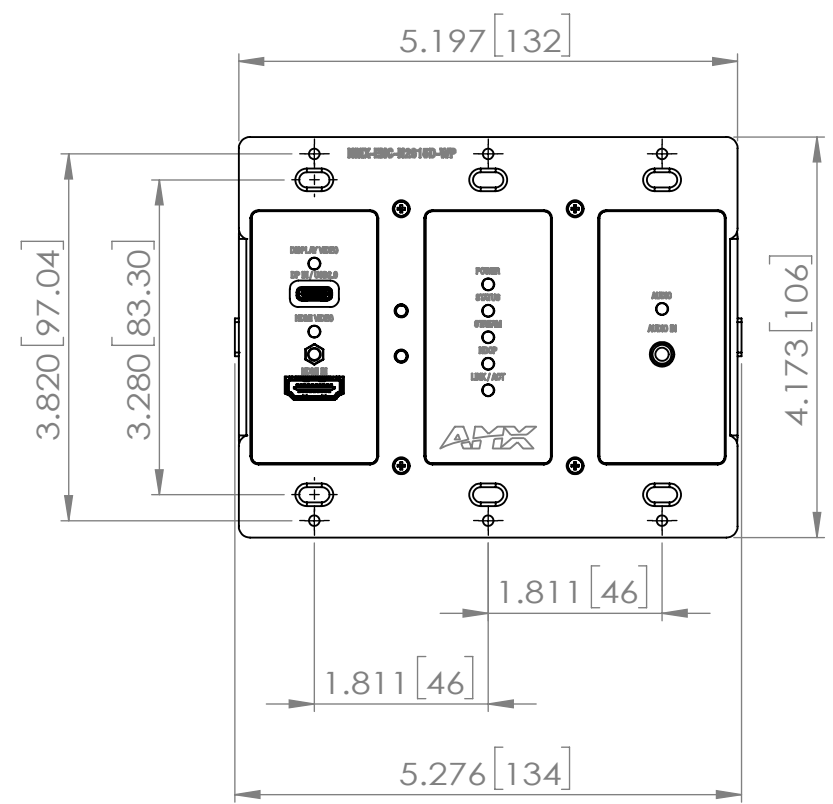
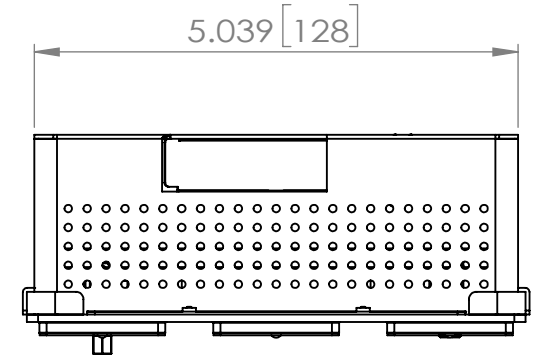
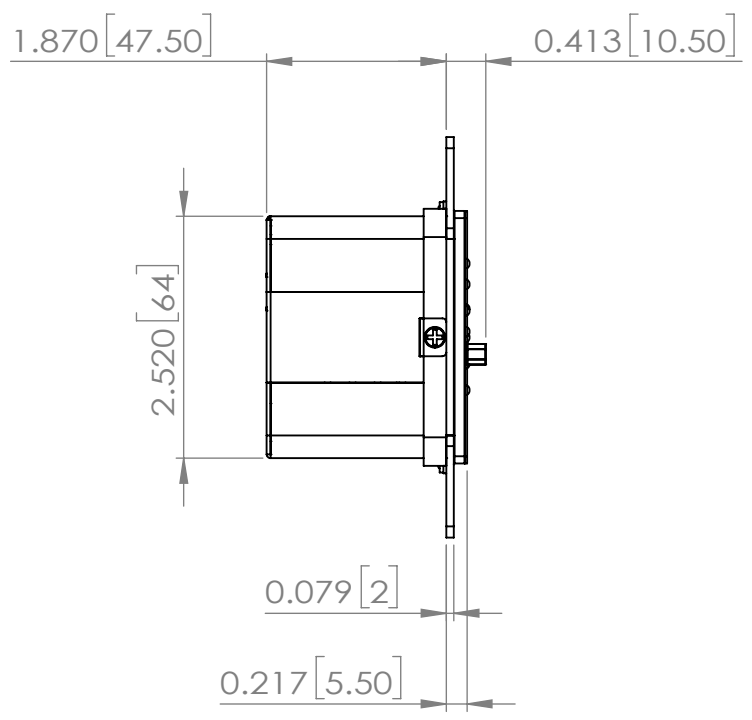
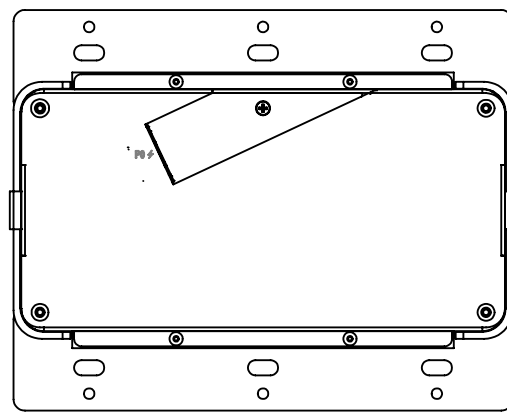


0 1 2 3 4 5 6 7 8 9

F  
E  
D  
C  
B  
A

F  
E  
D  
C  
B  
A



NOTES:  
1. Unit: inch [mm]  
2. Detailed dimensions refer to DWG/DXF files.

<small>2024 © HARMAN INTERNATIONAL INDUSTRIES, INCORPORATED. ALL RIGHTS RESERVED. DO NOT USE, DISCLOSE, SELL, REPRODUCE, PUBLISH OR MODIFY WITHOUT AUTHORIZED WRITTEN HARMAN PERMISSION.</small>  <b>ROHS</b> <small>RESTRICTION OF HAZARDOUS SUBSTANCES ALL MATERIALS USED IN THIS PART MUST BE ROHS COMPLIANT SUPPLIER SHALL PROVIDE A CERTIFICATE OF ROHS COMPLIANCE WITH THE FIRST ARTICLE.</small>	THIRD ANGLE PROJECTION 	<b>HARMAN</b>	
		TITLE DWG, PICTORIAL, NMX-ENC-N2615D-WP	
DRAWN BY PXiong	DATE 2024/6/24	NO. <b>AMX-N26E013</b>	
DESIGNED BY	DATE	REV <b>A</b>	
PROJECT MANAGER/ENGINEER	SIZE B	SCALE 1:2	DO NOT SCALE DRAWING
DIMENSIONS SHOWN ARE FOR REFERENCE AND INSPECTION ONLY. REFER TO CAD MODEL PROVIDED WITH THIS DRAWING FOR OVERALL DEFINITION OF PART GEOMETRY.	SHEET 1	OF 1	SHEET OF 1

0 1 2 3 4 5 6 7 8 9