

2" Grommet

- HPG-20B-GB (FG570-02B-GB) Gloss Black in Black Metal
- HPG-20B-MB (FG570-02B-MB) Matte Black in Black Metal
- HPG-20B-GS (FG570-02B-GS) Gloss Silver in Black Metal
- HPG-20S-MB (FG570-02S-MB) Matte Black in Silver Metal
- HPG-20S-GS (FG570-02S-GS) Gloss Silver in Silver Metal
- HPG-20S-FG (FG570-02S-FG) Frosted in Silver Metal
- HPG-20-SL (FG570-02-SL) Matte Silver Plastic

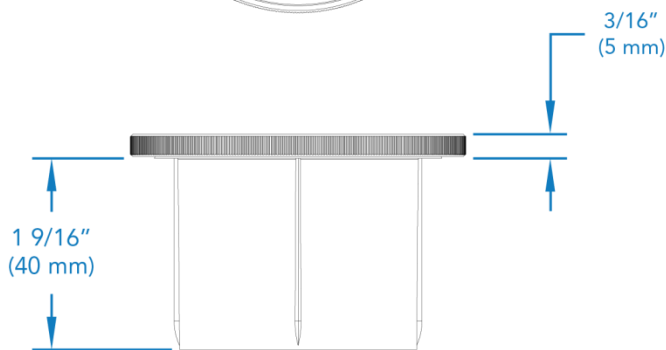
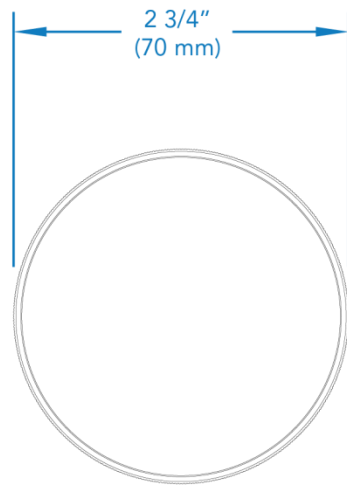
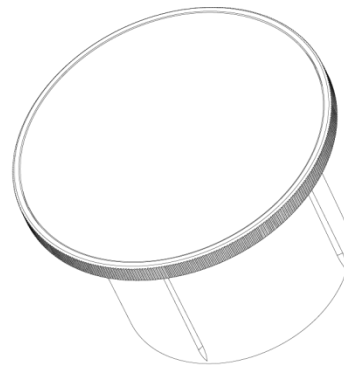


Overview

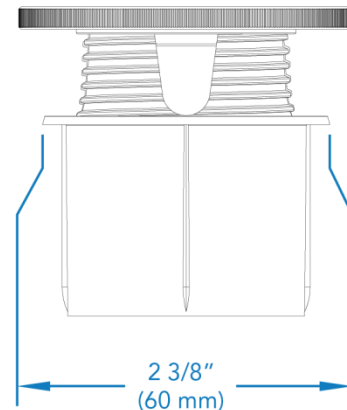
The HPG-20 module provides an elegant cable management solution for smaller tables or special locations on a table.

Specifications

| General | |
|------------|--|
| Dimensions | Max above mounting surface: 1" (25mm) Max below mounting surface: 1.1" (28mm) Mounting surface footprint: 2.76" (70mm) diameter Min mounting surface thickness: 1/2" (13mm) Max mounting surface thickness: 2" (51mm) Table cutout dimensions: 2" (51mm) round hole |
| Weight | 6 oz (.2 Kg) |
| Enclosure | Black plastic structure with a top cap made of plastic or metal with an acrylic inlay |



HPG-20
(Closed Position)



HPG-20
(Open Position)

About AMX

AMX hardware and software solutions simplify the implementation, maintenance, and use of technology to create effective environments. With the increasing number of technologies and operating platforms at work and home, AMX solves the complexity of managing this technology with reliable, consistent and scalable systems. Our award-winning products span control and automation, system-wide switching and audio/video signal distribution, digital signage and technology management. They are implemented worldwide in conference rooms, homes, classrooms, network operation / command centers, hotels, entertainment venues, broadcast facilities, and more. ©2019 AMX. All rights reserved.

Specifications subject to change. Revised May 10, 2019.