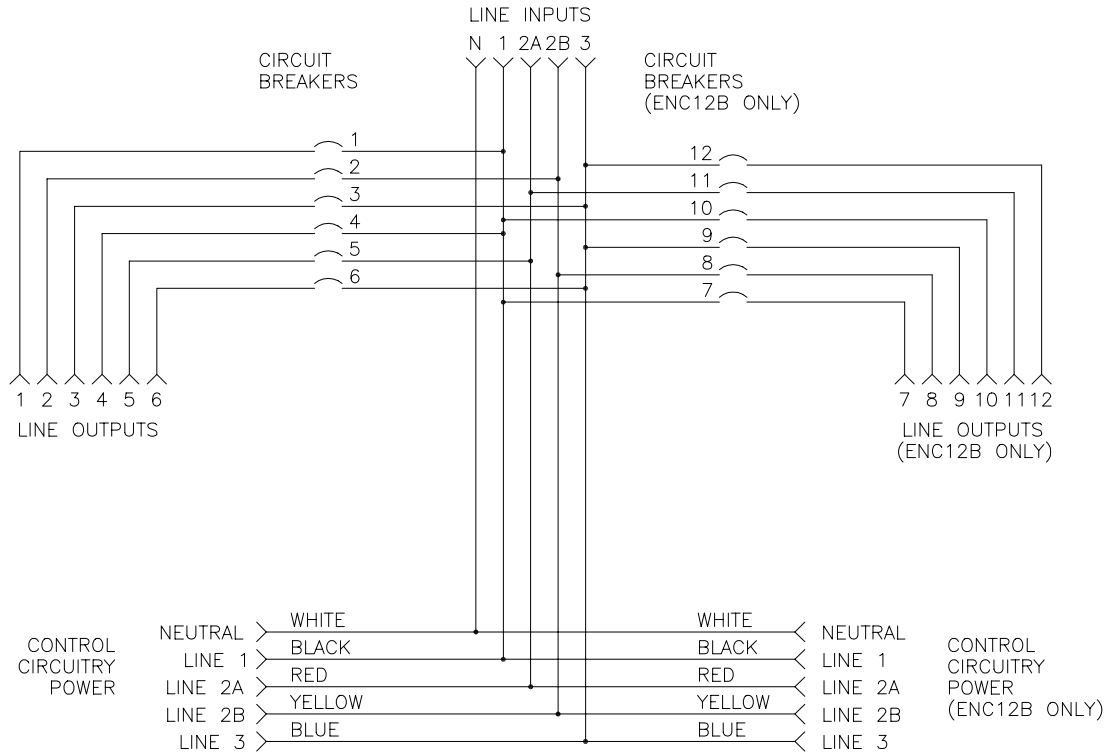


REVISIONS				
REV	ECN	DESCRIPTION	DATE	APPROVED
B	3133	RELEASED	11/30/01	



NOTICE: This drawing is the property of AMX Corporation. All information contained herein shall be confidential except to the extent the information has been previously established. This drawing may not be copied, reproduced, or used as the basis for manufacture or sale without written permission.

	REL APPR	REL DATE	REV APPR
DRAWN	RBF	3/13/01	
ENGR SERV			
ENGINEER	GA	5/1/01	
PROD ENGR			
MATL SUP			
QUALITY	DLR	5/1/01	



AMX CORPORATION
3000 RESEARCH DRIVE
RICHARDSON, TX 75082

WIRING
ENC6B & ENC12B
INPUT TERMINAL BLOCK

SIZE	SCALE: NONE	DWG. NO.	REV.
D		LW-10300-2	B
LW103002		SHEET 1 OF 1	