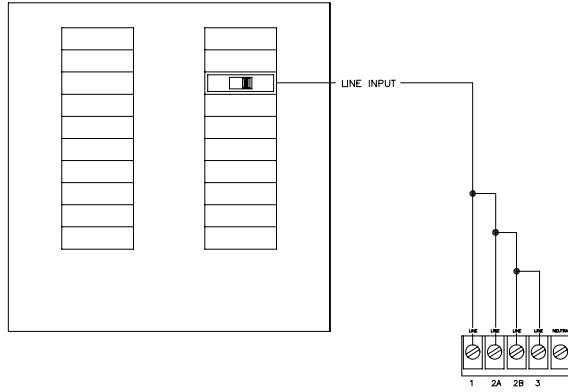
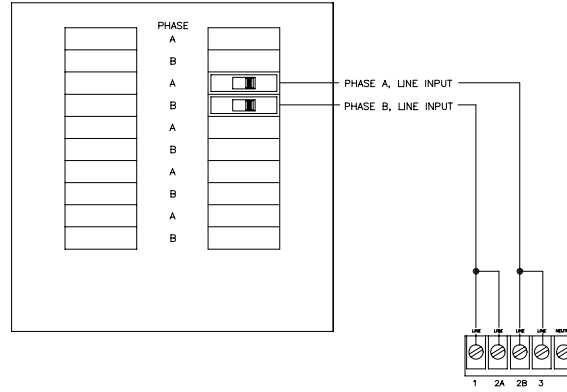


REVISIONS				
REV	ECN	DESCRIPTION	DATE	APPROVED
B	3133	RELEASED	11/30/01	



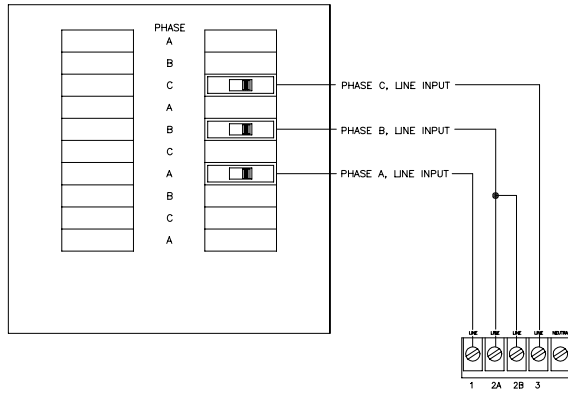
**SINGLE PHASE, 120VAC, 2W + G**

CONNECTED PHASE CONTROLS ALL DIMMERS 1-6



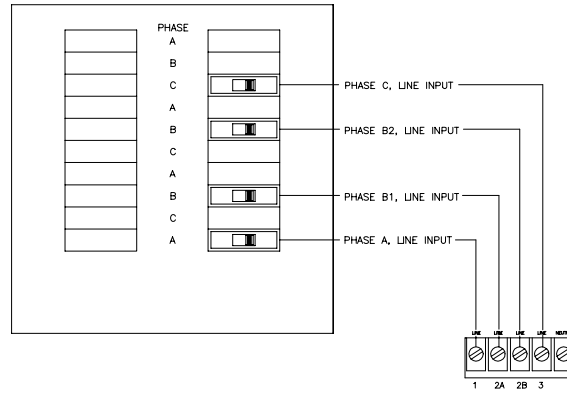
**SINGLE PHASE, 120/208VAC, 3W + G**

PHASE B - CONTROLS DIMMERS 1, 4 AND 5  
PHASE A - CONTROLS DIMMERS 2, 3, AND 6



**THREE PHASE, 120/208VAC, 4W + G**

PHASE A - CONTROLS DIMMERS 1 AND 4  
PHASE B - CONTROLS DIMMERS 2 AND 5  
PHASE C - CONTROLS DIMMERS 3 AND 6



**THREE PHASE, 120/208VAC, 5W + G**

PHASE A - CONTROLS DIMMERS 1 AND 4  
PHASE B1 - CONTROLS DIMMER 5  
PHASE B2 - CONTROLS DIMMER 2  
PHASE C - CONTROLS DIMMERS 3 AND 6

NOTICE: This drawing is the property of AMX Corporation. All information contained herein shall be confidential except to the extent the information has been previously established. This drawing may not be copied, reproduced, or used as the basis for manufacture or sale without written permission.

	REL APPR	REL DATE	REV APPR
DRAWN	RBF	2/11/00	
ENGR SERV			
ENGINEER	GA	5/1/01	
PROD ENGR			
MATL SUP			
QUALITY	DLR	5/1/01	
THIRD ANGLE PROJECTION			

<b>AMX</b> ™		AMX CORPORATION 3000 RESEARCH DRIVE RICHARDSON, TX 75082	
<b>LIGHTING WIRING ENC6B &amp; ENC12B POWER DISTRIBUTION</b>			
SIZE	SCALE	DWG. NO.	REV.
D	NONE	LW-10300-1	B
LW103001		SHEET 1 OF 1	