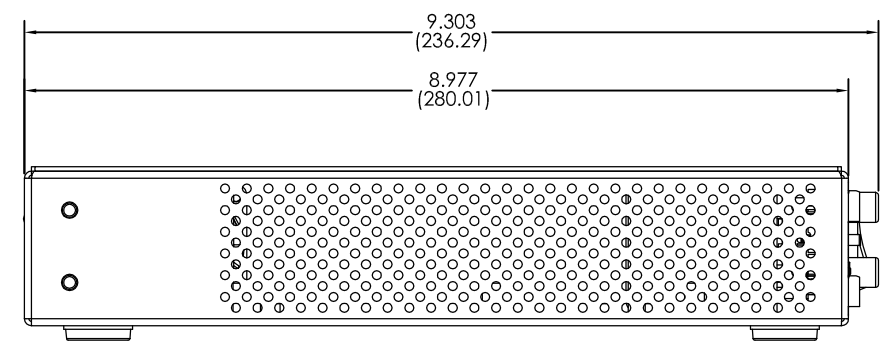
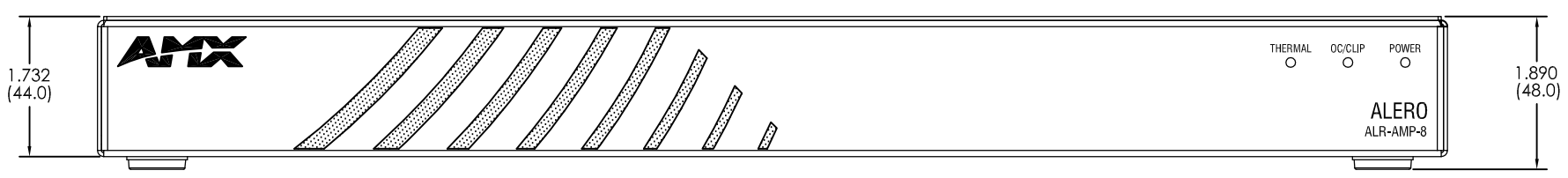
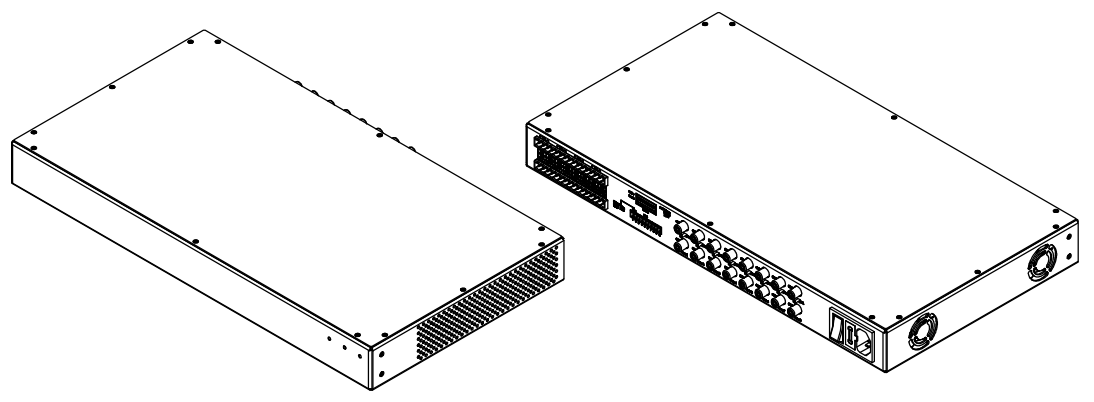
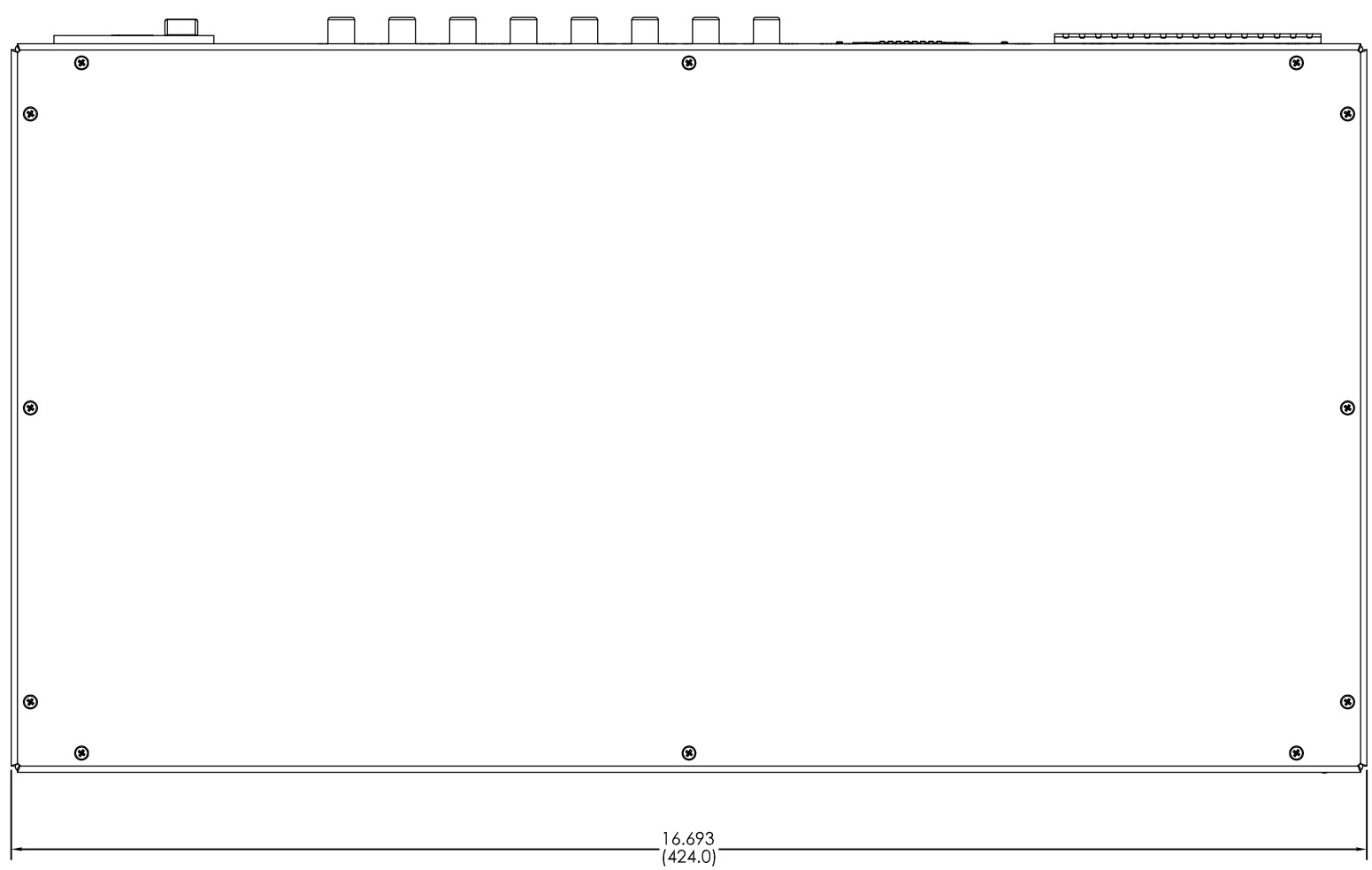
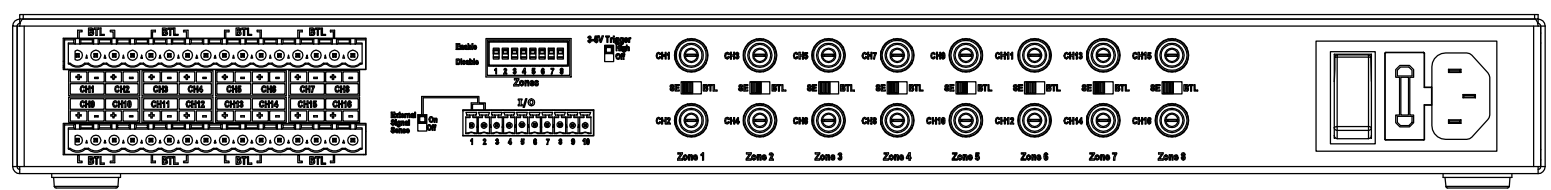


REVISIONS				
REV	ECN	DESCRIPTION	DATE	APPROVED
A	21933	RELEASE TO PRODUCTION	2/3/14	JL



FRONT VIEW



REAR VIEW

NOTICE: This drawing is the property of AMX LLC. All information contained herein that is not generally known shall be confidential except to the extent the information has been previously established. This drawing may not be copied, reproduced, or used as the basis for manufacture or sale without written permission.

UNLESS OTHERWISE SPECIFIED
 TOLERANCE ON DECIMAL DIMENSIONS: .X = ± 0.1
 .XX = ± 0.01
 .XXX = ± 0.005
 ANGLES: ± 0.5°
 SURFACE FLATNESS .003 TIR PER LINEAR INCH
 ALL DIMENSIONS IN INCHES.
DO NOT SCALE DRAWING
 THIRD ANGLE PROJECTION

AMX™
 AMX LLC
 3000 RESEARCH DRIVE
 RICHARDSON, TX 75082

PICTORIAL, ALERO ALR-AMP-8, 80 WATT PER CHANNEL, 8 ZONE POWER

SIZE D	DWG. NO. 95-1104-01	REV. A
SCALE	ACAD FILE NO.	SHEET 1 OF 1