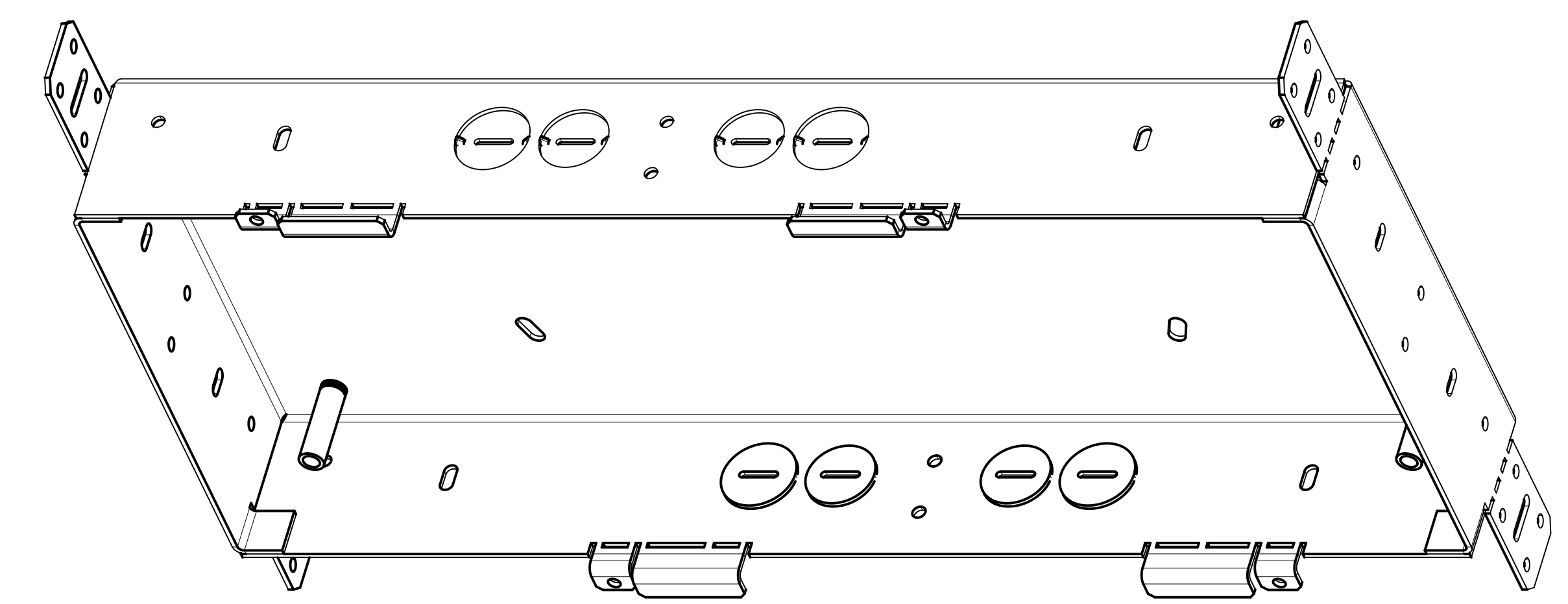
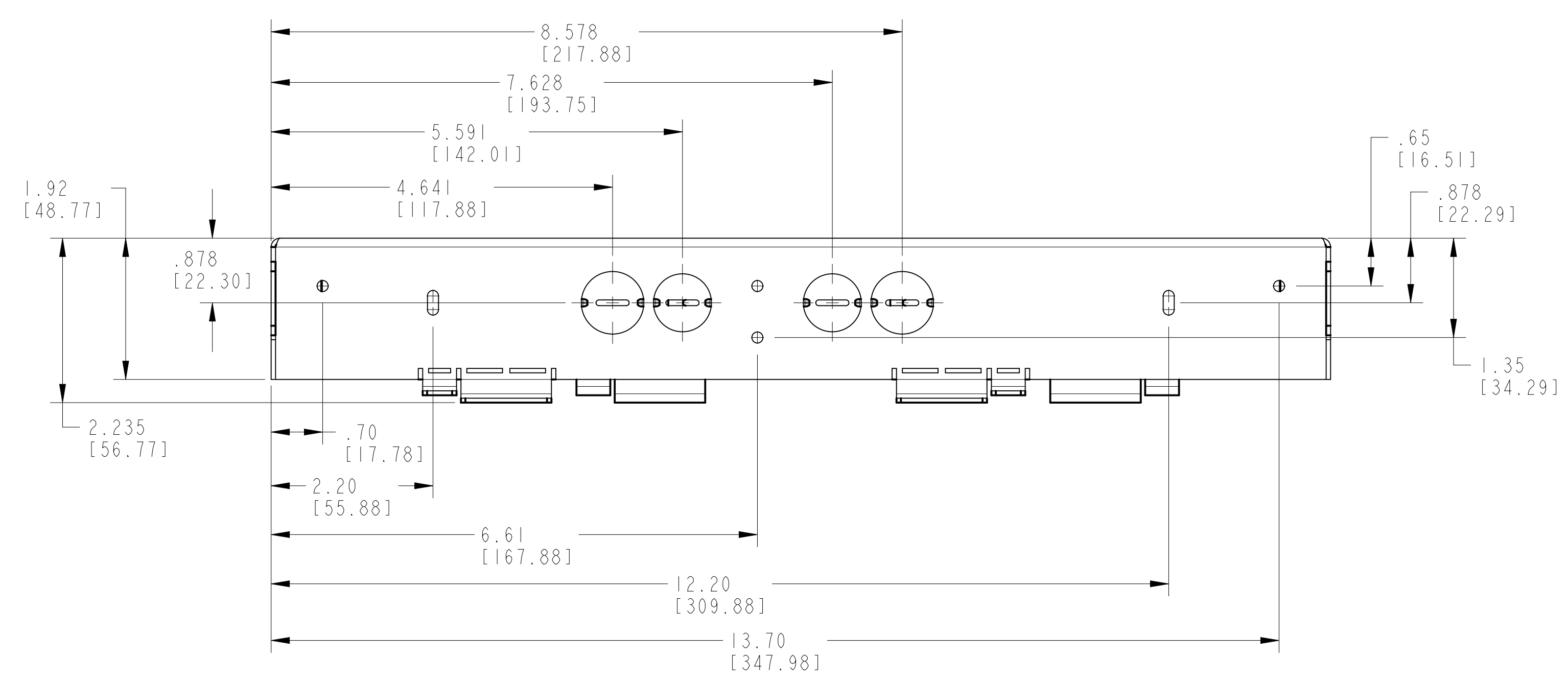
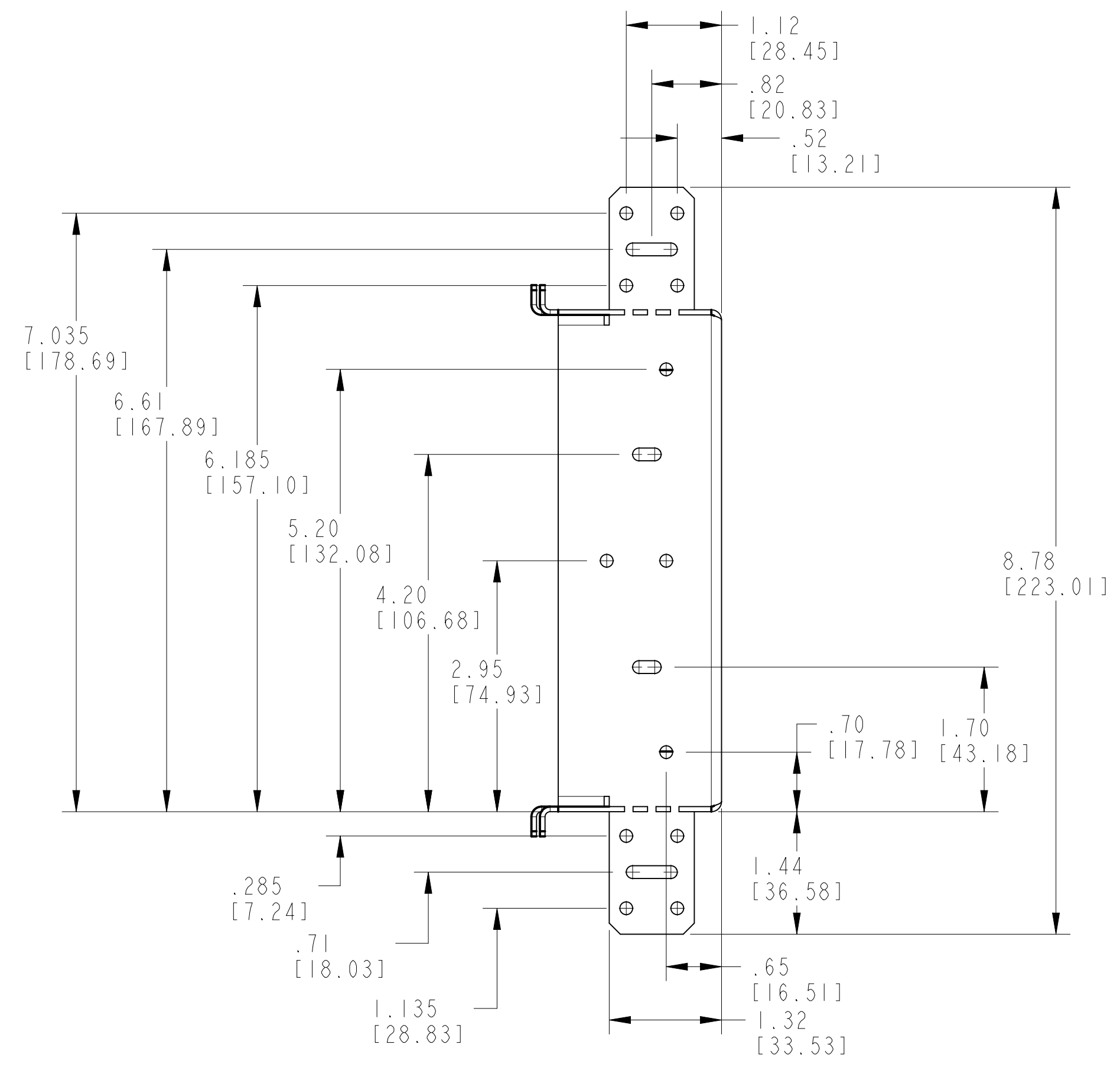
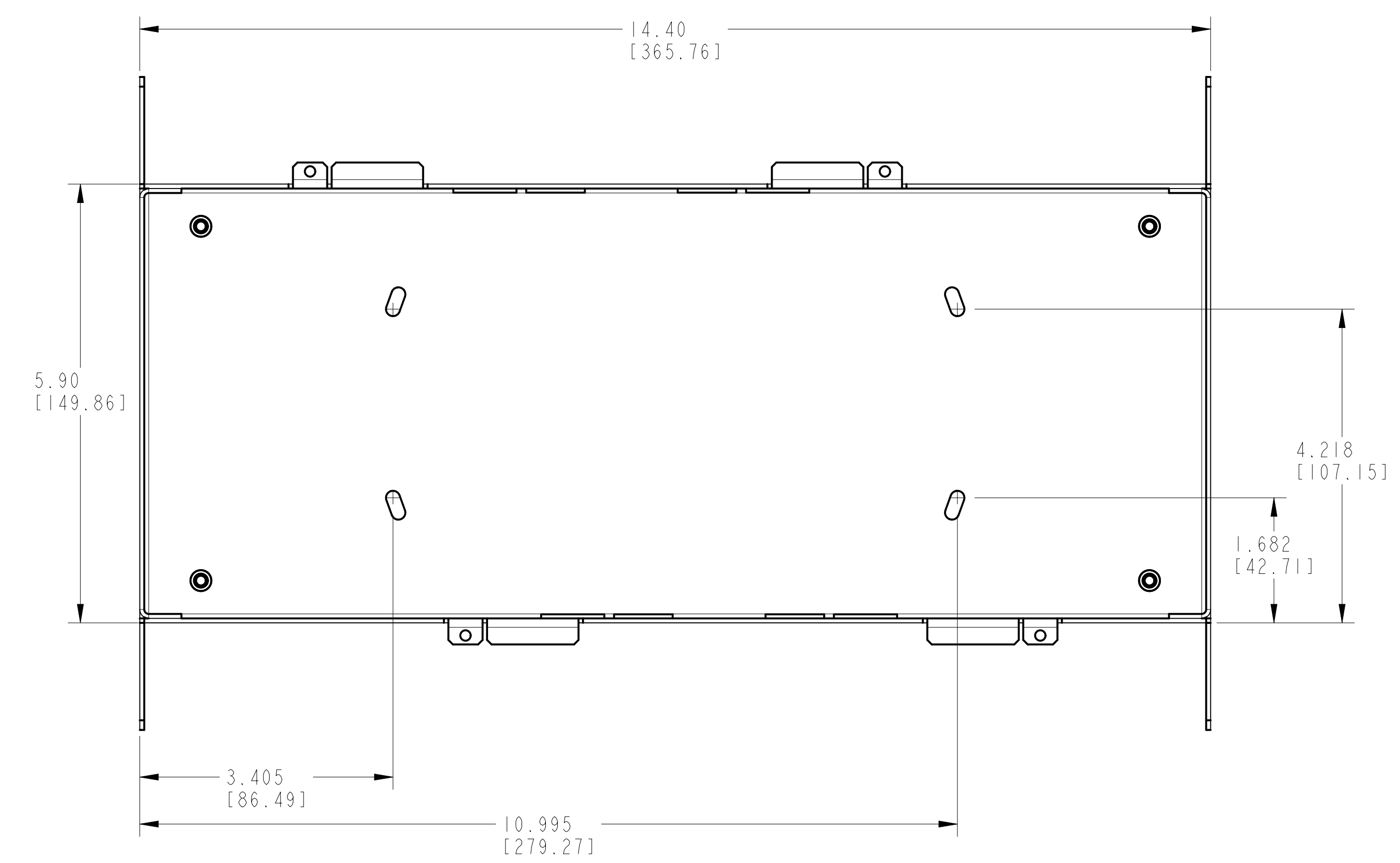


REVISIONS				
REV	ECN NUMBER	DESCRIPTION	DATE	APPROVED
A	19135	DOCUMENT RELEASE	07-Feb-12	-

NOTES: UNLESS OTHERWISE SPECIFIED
1. DIMENSIONS IN [] ARE IN MILLIMETERS.



FRONT COVER REMOVED



NOTE: 62-5968-30 (FRONT COVER, ROUGH-IN BOX) NOT SHOWN ON THIS SHEET FOR CLARITY. FOR OVERALL DIMENSIONS WITH COVER INSTALLED SEE SHEET 2.

UNLESS OTHERWISE STATED, THE ARTICLE SPECIFIED SHALL BE RoHS COMPLIANT PER EU DIRECTIVE 2002/95/EC

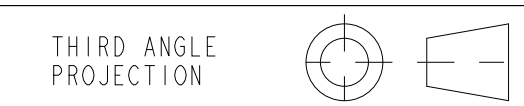
NOTICE: This drawing is the property of AMX LLC. All information contained herein this is not generally known shall be confidential except to the extent the information had been previously established. This drawings may not be copied, reproduced, or used as the basis for manufacture or sale without written permission.

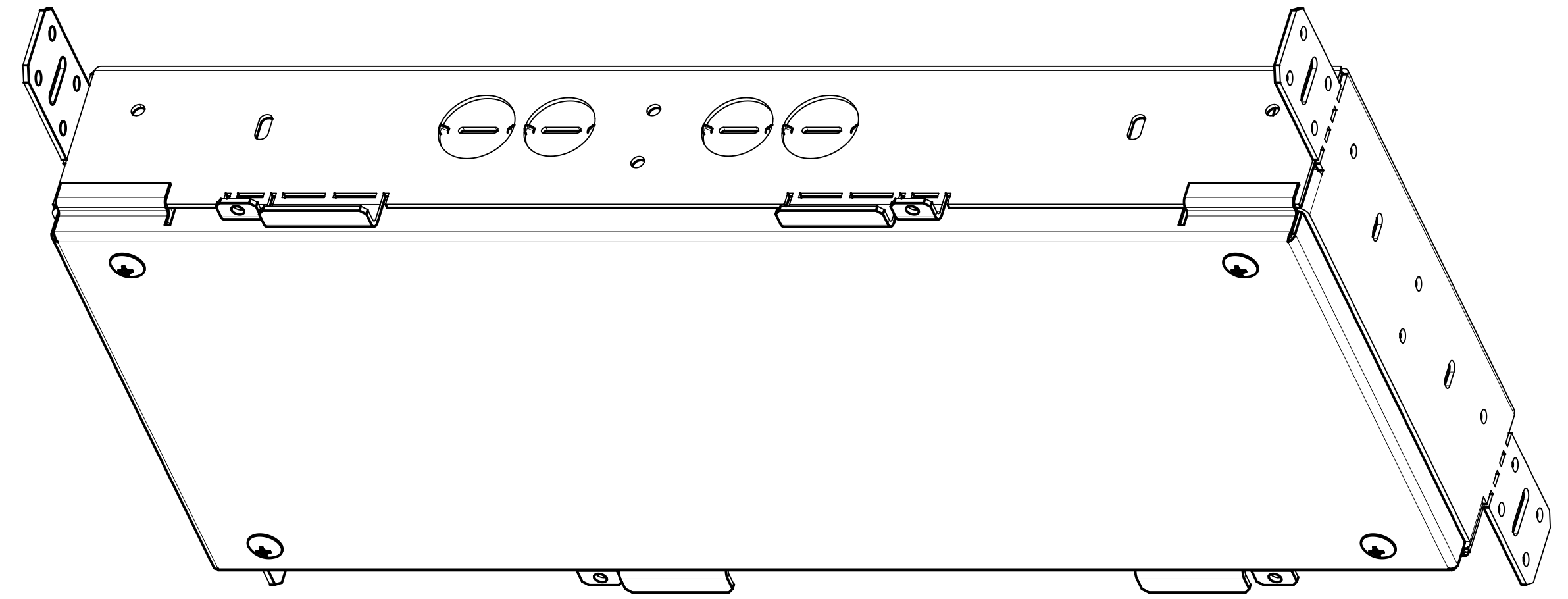
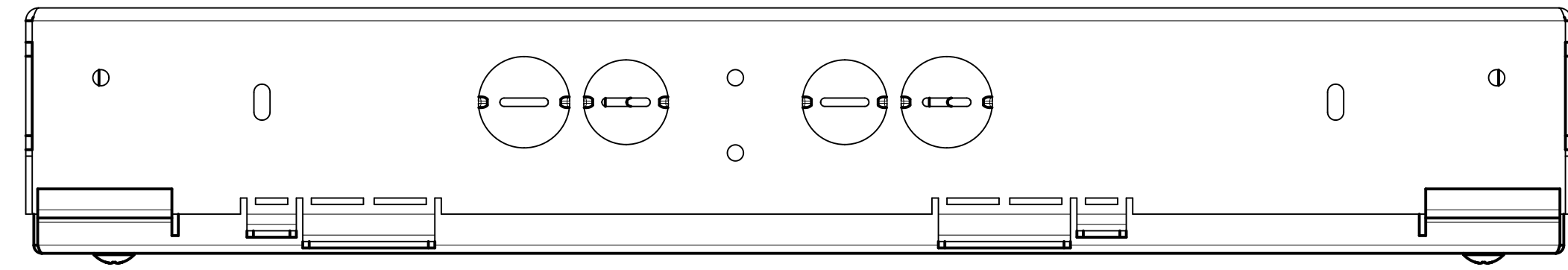
UNLESS OTHERWISE SPECIFIED
TOLERANCE ON DECIMAL DIMENSIONS: .X = ±0.1
.XX = ±0.02
.XXX = ±0.010
ANGLES: ±1.0°
SURFACE FLATNESS .003 TIR PER LINEAR INCH
ALL DIMENSIONS IN INCHES.
DO NOT SCALE DRAWING

AMX AMX LLC
3000 RESEARCH DRIVE
RICHARDSON, TX 75082

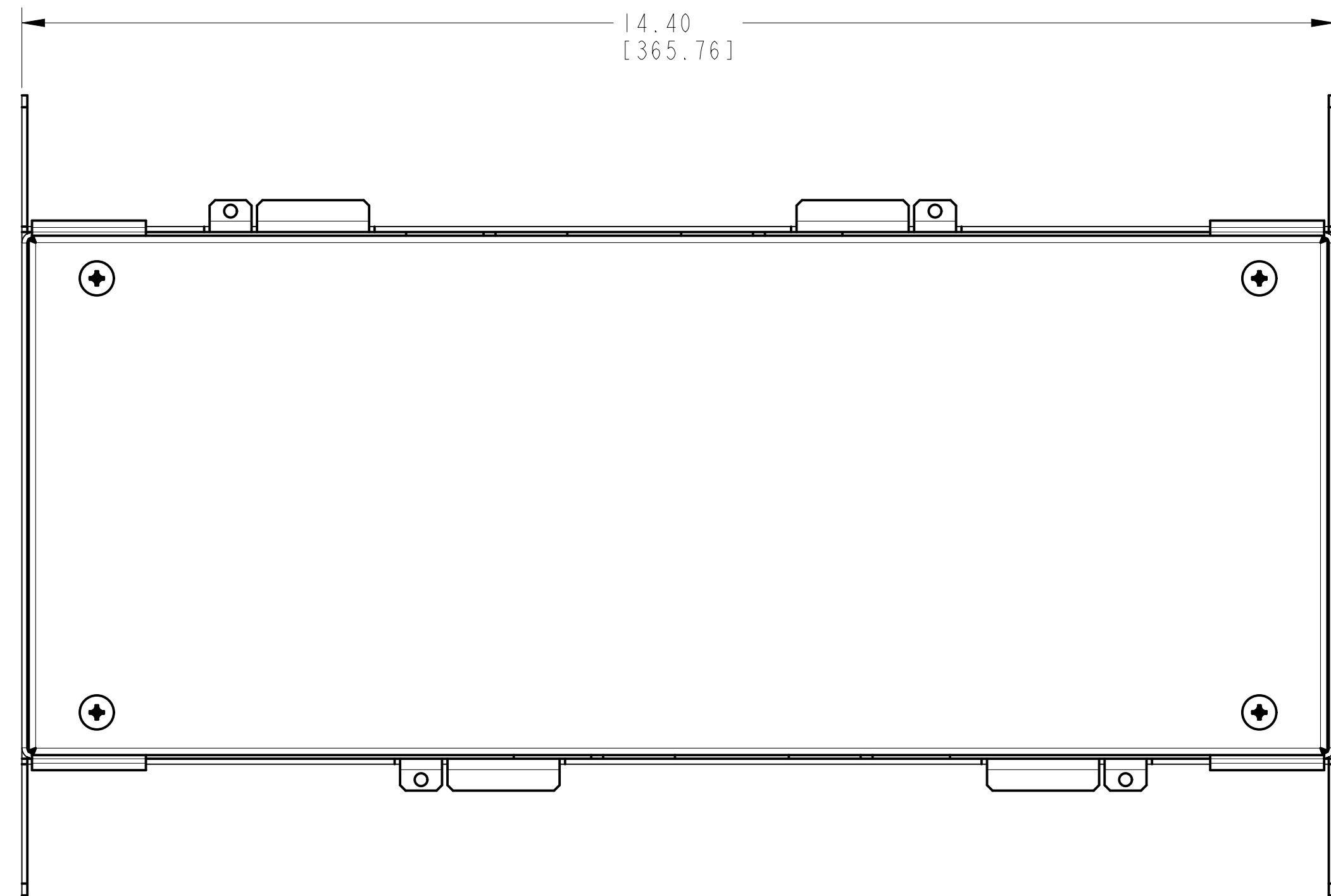
PICTORIAL DRAWING,
ROUGH-IN BOX,
MODERO 20.3/19.4" TOUCH PANEL

SIZE D	DRAWING NUMBER 95-5968-20	REV A
SCALE 3:4	SHEET 1 OF 2	

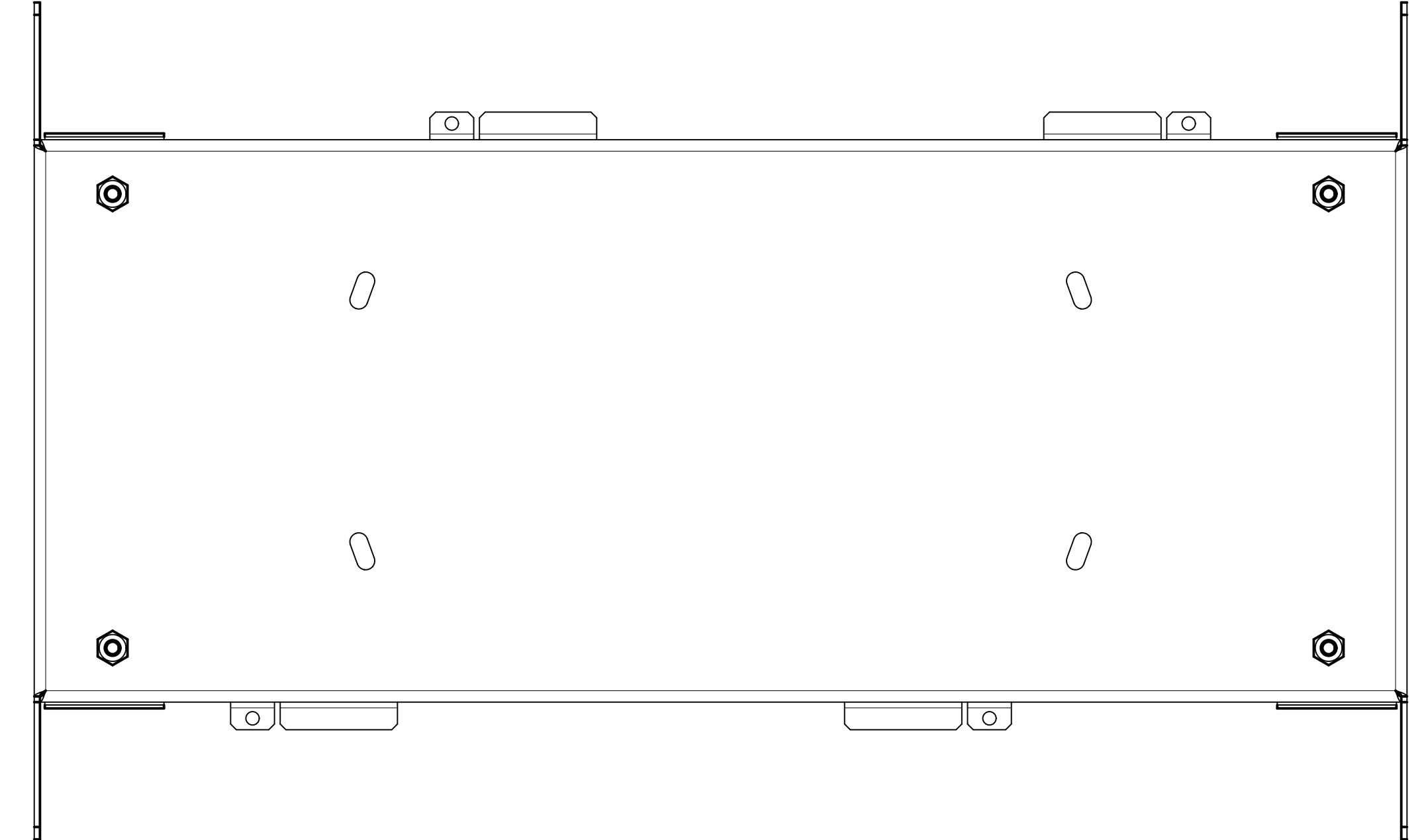
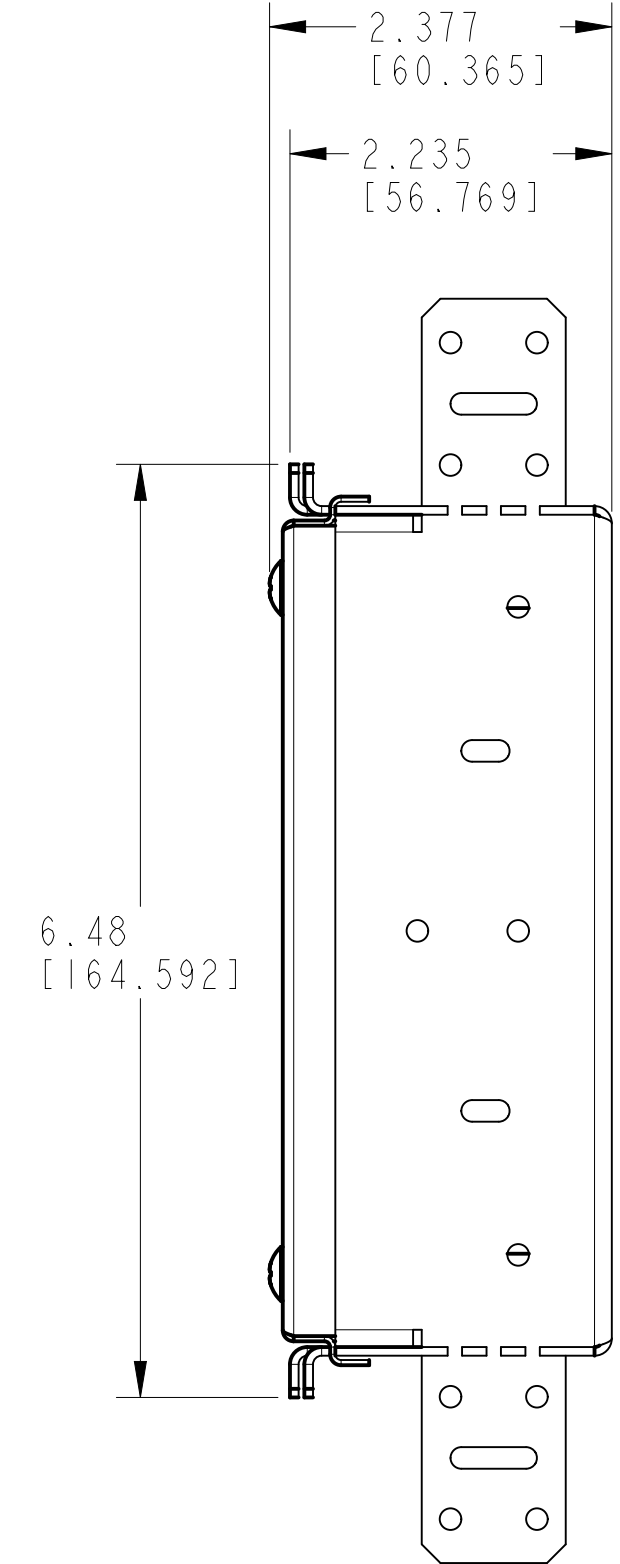




FRONT COVER INSTALLED



FRONT



REAR

NOTICE: This drawing is the property of AMX LLC. All information contained herein this is not generally known shall be confidential except to the extent the information had been previously established. This drawings may not be copied, reproduced, or used as the basis for manufacture or sale without written permission.



PICTORIAL DRAWING, ROUH-IN BOX, 20.3"/19.4" WALL TOUCH PANEL

SIZE D	DRAWING NUMBER 95-5968-20	REV A
SCALE 3:4		SHEET 2 OF 2