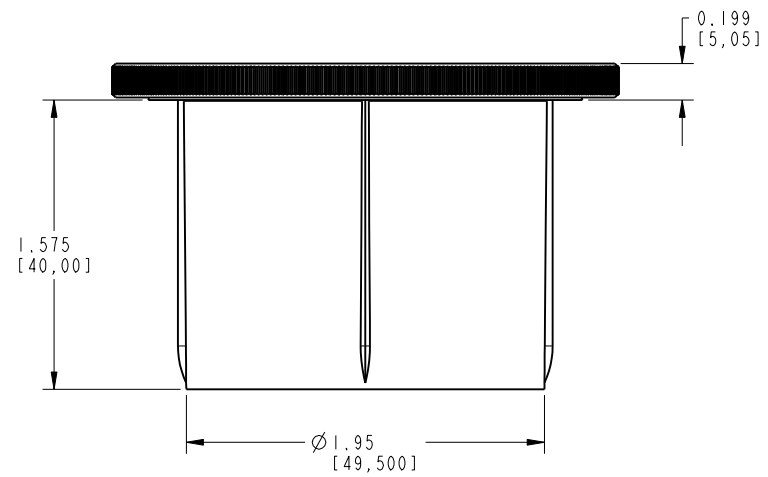
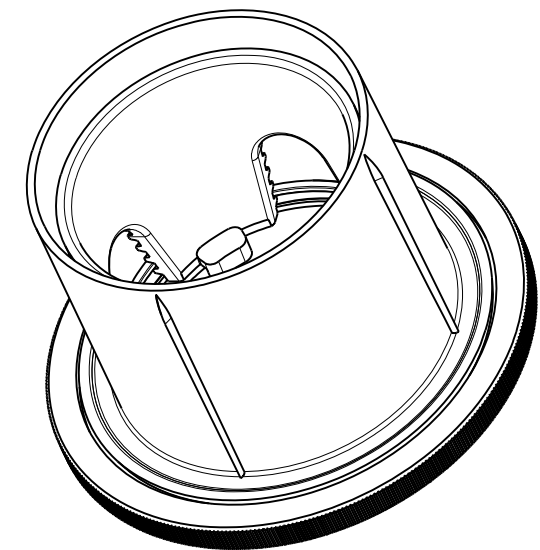
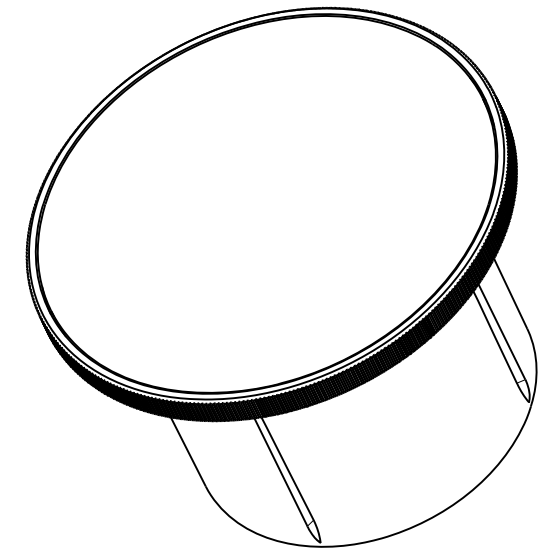
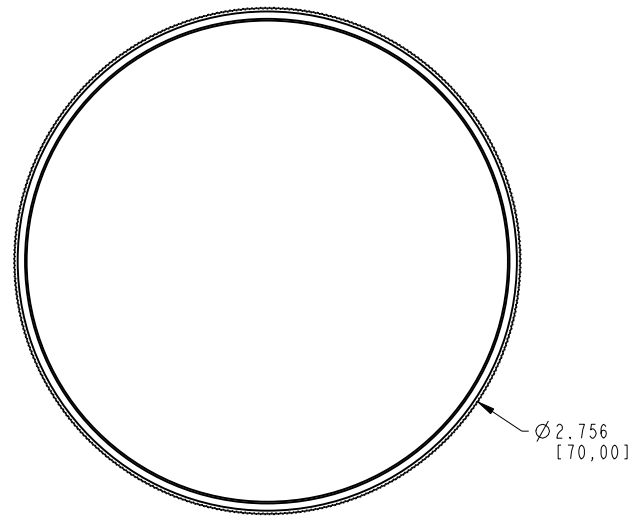
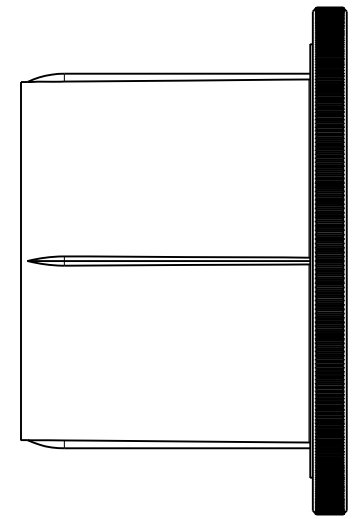


REVISIONS				
REV	ECN NUMBER	DESCRIPTION	DATE	APPROVED
A	18059	DOCUMENT RELEASE	18-May-11	X

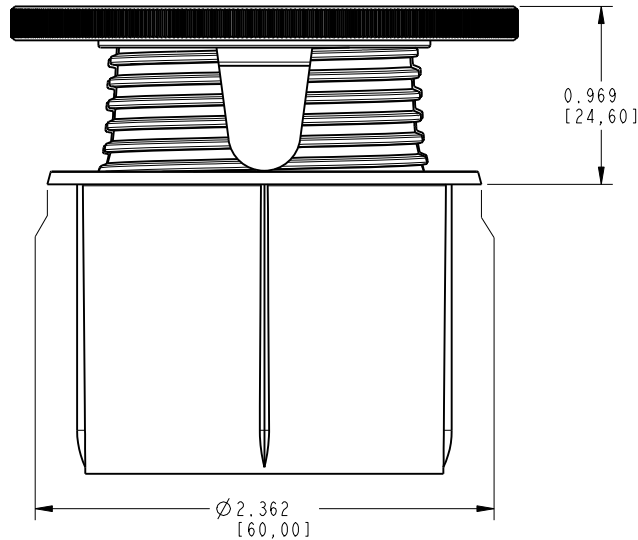
NOTES: UNLESS OTHERWISE SPECIFIED
 1. DIMENSIONS IN [] ARE IN MILLIMETERS.

1
2
3
4

1
2
3
4



CLOSED POSTION



OPEN POSTION

UNLESS OTHERWISE STATED, THE ARTICLE SPECIFIED SHALL BE RoHS COMPLIANT PER EU DIRECTIVE 2002/95/EC

NOTICE: This drawing is the property of AMX LLC. All information contained herein this is not generally known shall be confidential except to the extent the information had been previously established. This drawings may not be copied, reproduced, or used as the basis for manufacture or sale without written permission.

UNLESS OTHERWISE SPECIFIED
 TOLERANCE ON DECIMAL DIMENSIONS: .X = ±0.1
 .XX = ±0.02
 .XXX = ±0.010
 ANGLES: ±1.0°
 SURFACE FLATNESS .003 TIR PER LINEAR INCH
 ALL DIMENSIONS IN INCHES.
 DO NOT SCALE DRAWING
 THIRD ANGLE PROJECTION

AMX
 AMX LLC
 3000 RESEARCH DRIVE
 RICHARDSON, TX 75082

PICTORIAL DRAWING,
 GROMMET,
 4 SLOT, 2-in

SIZE	DRAWING NUMBER	REV
D	95-570-02	A

SCALE 2:1 SHEET 1 OF 1