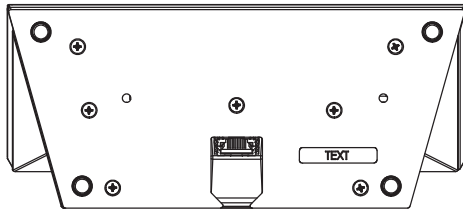
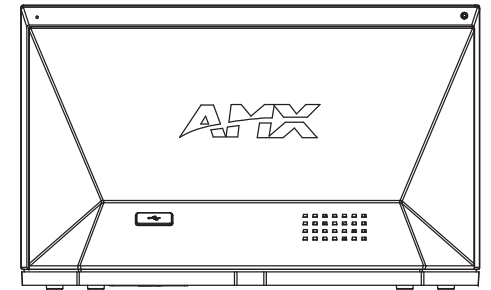
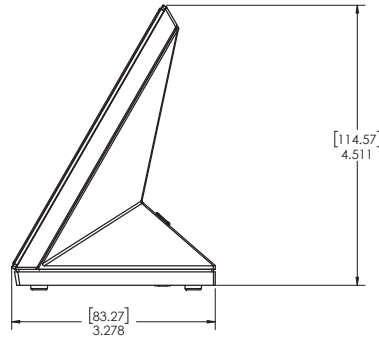
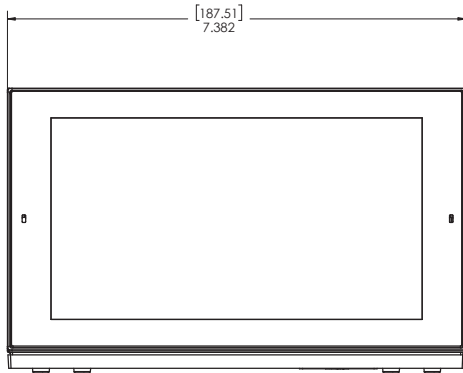
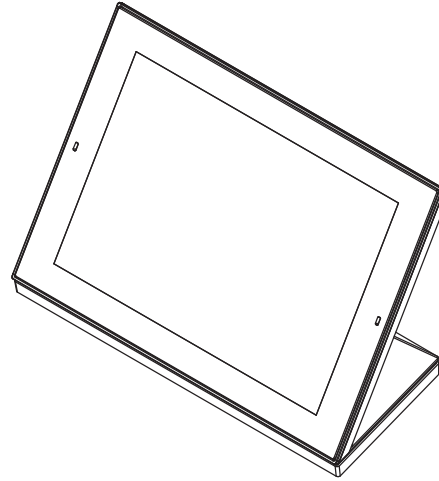
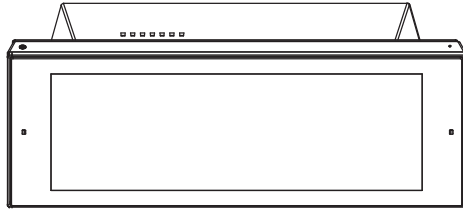


NOTES: UNLESS OTHERWISE SPECIFIED

- 3D DATABASE FEATURES TAKE PRECEDENCE OVER 2D DRAWINGS. REFER TO 3D DATABASE FILE (SEE MODEL NAME AND REVISION TITLE BLOCK).

REVISIONS				
REV	ECN	DESCRIPTION	DATE	APPROVED
A	CN82577	INITIAL RELEASE	05/25/18	P. LE
B	CN95089	Replace 60-2265-09 by 5107799-00;	08/23/2018	FRK.ZHENG



UNLESS OTHERWISE STATED, THE ARTICLE SPECIFIED SHALL BE ROHS COMPLIANT PER EU DIRECTIVE 2002/95/EC

NOTICE: This drawing is the property of AMX LLC. All information contained herein that is not generally known shall be confidential except to the extent the information has been previously established. This drawing may not be copied, reproduced, or used as the basis for manufacture or sale without written permission.

UNLESS OTHERWISE SPECIFIED

TOLERANCE ON DECIMAL DIMENSIONS: .X = ± 0.1
.XX = ± 0.01
.XXX = ± 0.005
ANGLES = ± 0.5°

SURFACE FLATNESS .003 TIR PER LINEAR INCH
ALL DIMENSIONS ARE IN INCHES

DO NOT SCALE DRAWING

THIRD ANGLE PROJECTION



AMX LLC
3000 RESEARCH DRIVE
RICHARDSON, TX 75082

DWG.ASY,MT-702.7" MODERO E TABLET

SIZE D	DWG. NO. 5095913-00	REV. 5
SCALE 1:1	SHEET 1 of 2	